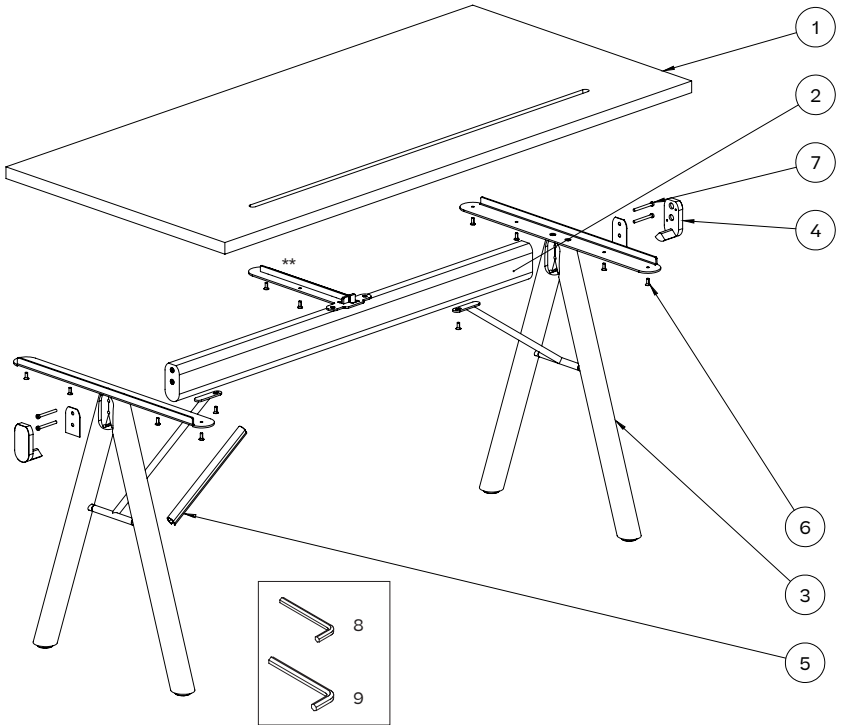


A  
Home Desk,  
Assembly instructions



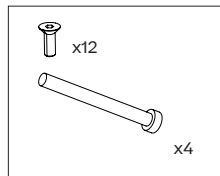
**kettal**

# Overview



- 1. Table top
- 2. Beam
- 3. Trestles (x2)
- 4. Beam embellishers (x2)
- 5. Cable holder
- 6. Screws DIN 7991 M6x16 (x12)
- 7. Screws DIN 7984 M6x60 (x4)
- 8. Allen key H3 (For studs, already assembled, just need to tighten)
- 9. Allen key H5 (for screw #6)

## Screws



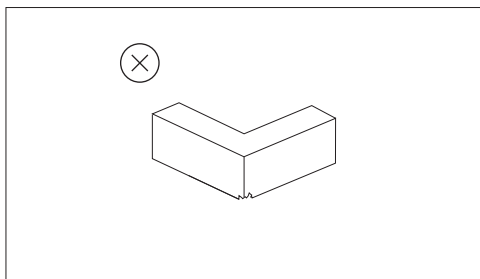
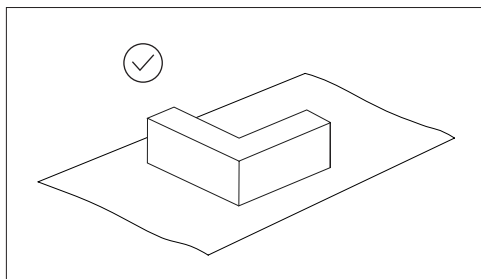
\*Electronic components come pre-installed

\*\*Central support is part of the beam.

# Before assembly

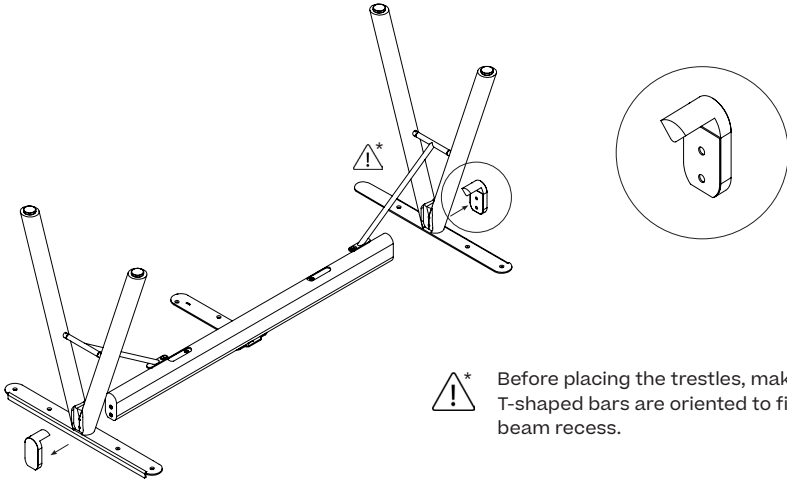
Place all the pieces above a rug to avoid broken corners

---



# Steps

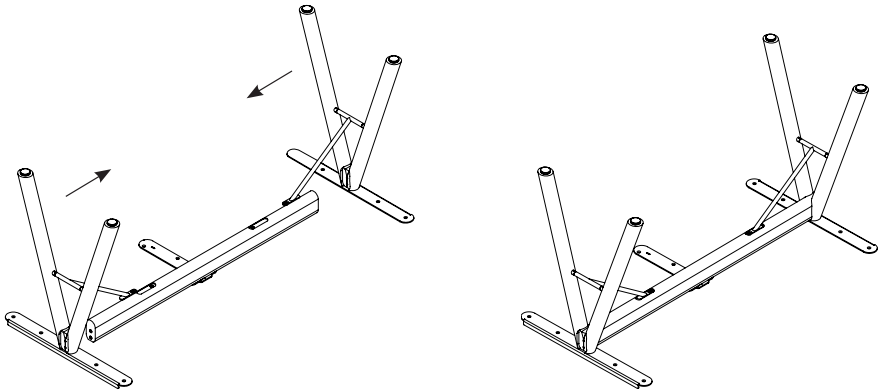
- 1 Place both trestles and the beam above a rug and remove the beam embellishers



!\*

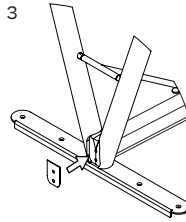
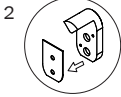
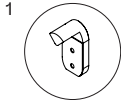
Before placing the trestles, make sure the T-shaped bars are oriented to fit into the beam recess.

- 2 Insert beam on both trestles

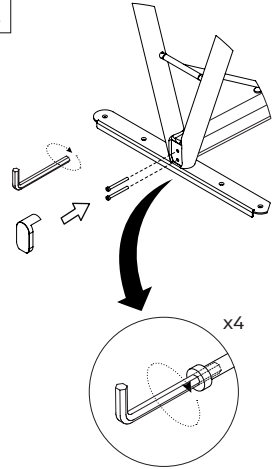


3

3.1

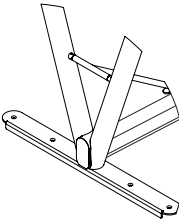


3.2



\* Repeat the process in the other trestle.

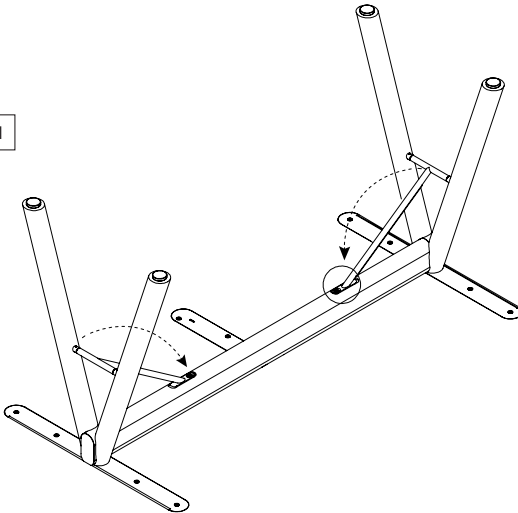
3.3



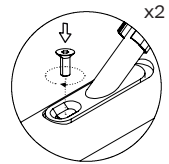
4

Screw the T-shaped bars to the beam

4.1



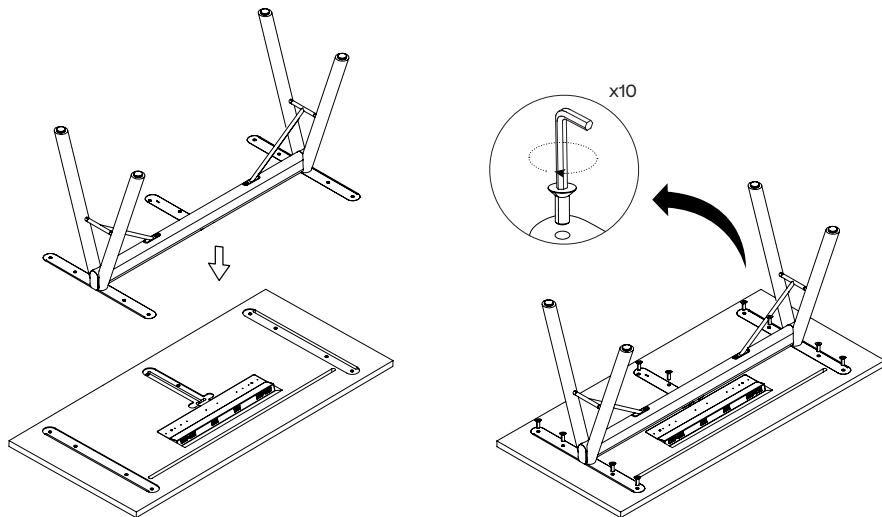
4.2



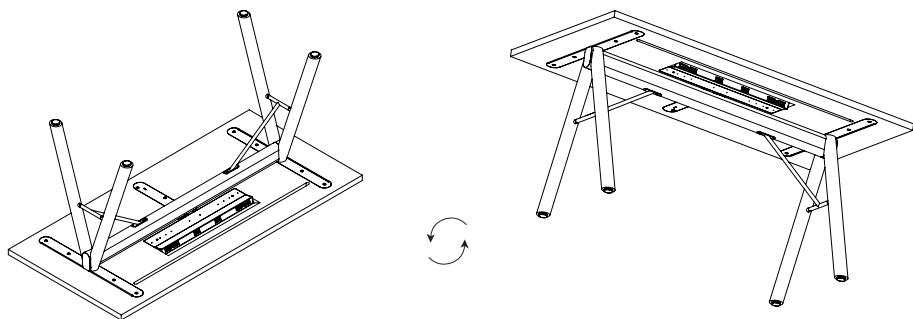
4.3



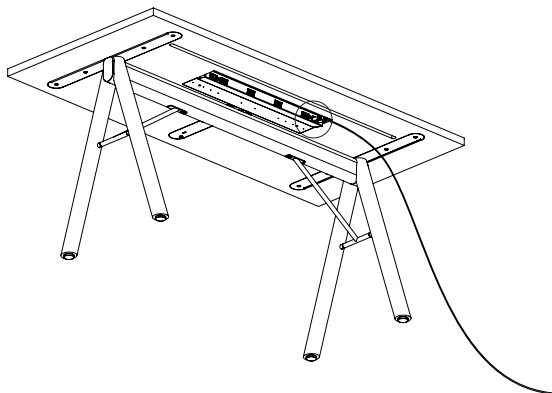
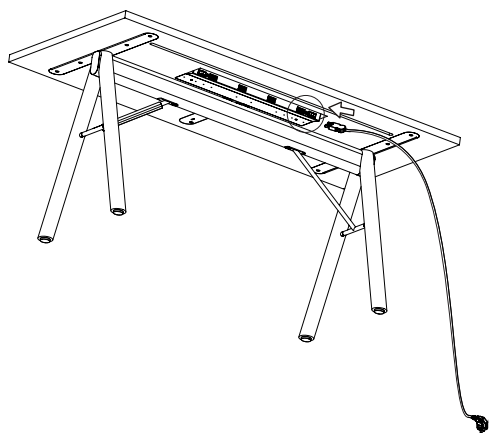
5 Place the table top and fit the plate into the recess. Anchor 4 side screws + 2 central screws



6

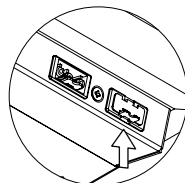


- 8 Plug one end of the cable into the power outlet and the other end into the nearest power outlet of the table.

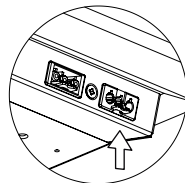


Do not remove the protective cover from the power input that is not in use.

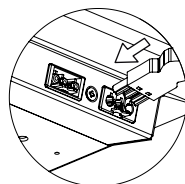
8.1



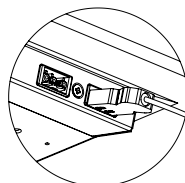
8.2



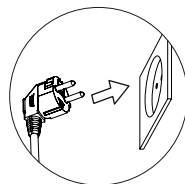
8.3



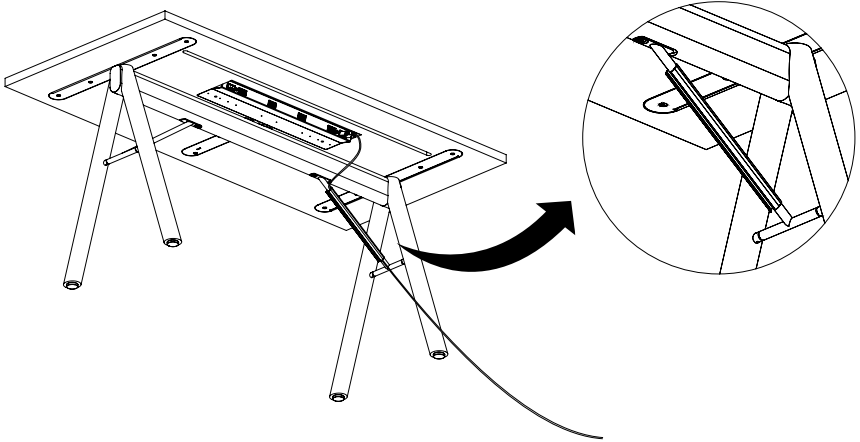
8.4



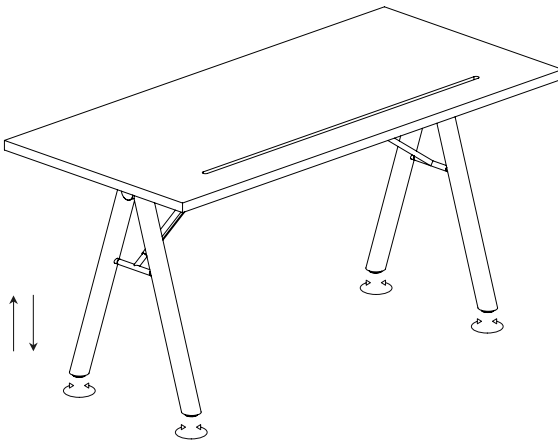
8.5



9 Put the cable into the cable holder



10 Level the table





Kettal.  
Aragón 316. 08009 Barcelona. Spain