

Giro

Centre table Ø135,

by Vincent Van Duysen

kettal

Centre table Ø135

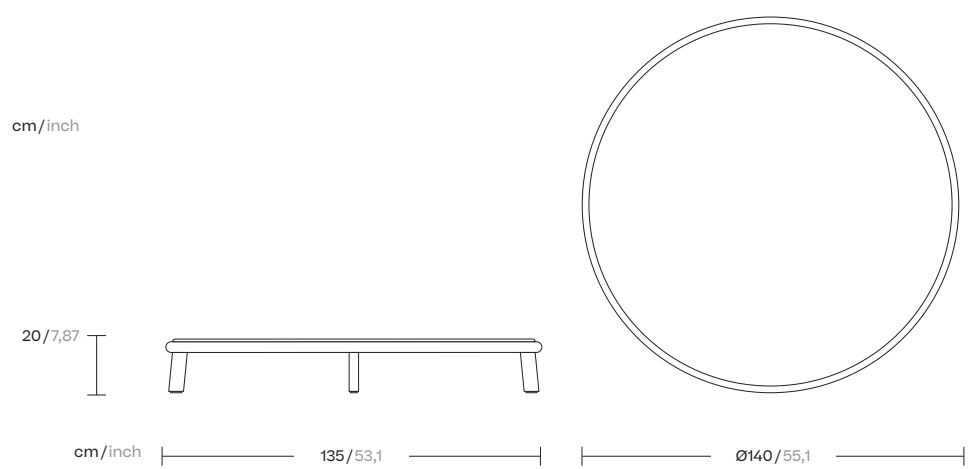
Designer
Vincent Van Duysen

Collection
Giro

Reference
KS7401300

1/2

Giro is a collection which can blend into interiors and exteriors due to its tactility and pure lines. In Giro, we have some variety of shapes, textures and materials (see the difference between the seating items and the coffee and side tables). And still all the items merge harmoniously together to create a warm, tactile and pleasant atmosphere.



kettal

Centre table Ø135

Designer
Vincent Van Duysen

Collection
Giro

Reference
KS7401300

2/2

Maintenance

We suggest to treat our Giro Side table as a product made of natural stone or marble. We suggest not to use:

- Abrasive sponges
- Corrosive detergents
- Limescale removers
- Bleach (if in solution > 10%)
- Ammonia (if in solution > 10%)
- Vinegar
- Abrasive pastes

The quick removal of stains guarantees a better maintenance of the products.

Finishes

[Click here](#) or scan the following QR code.



kettal