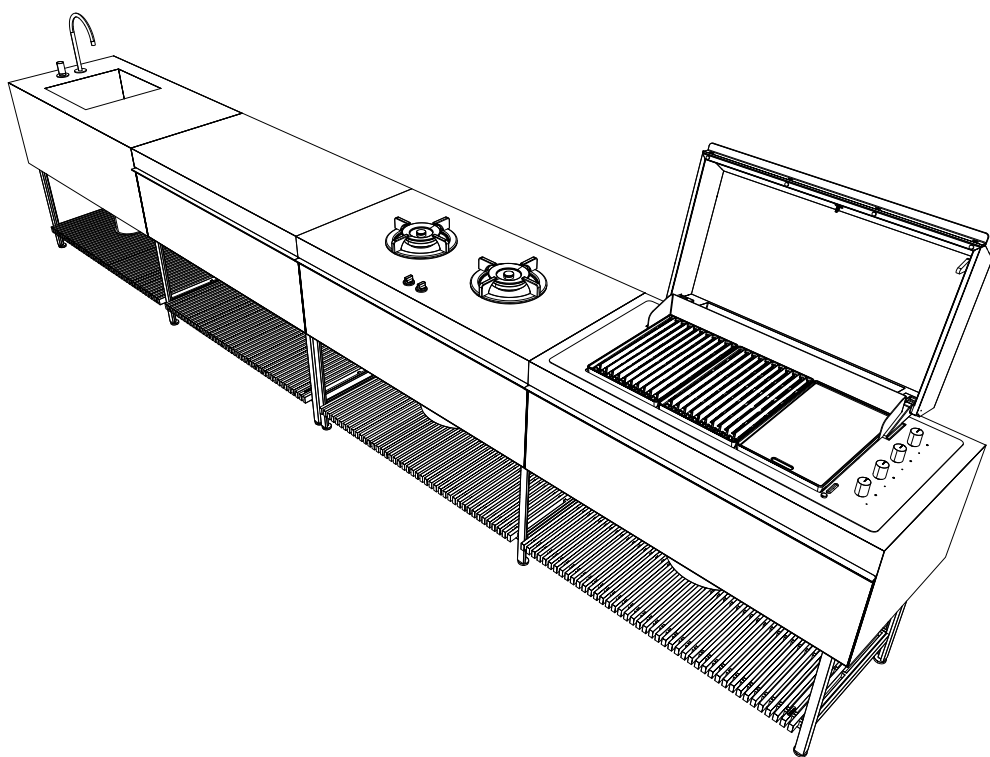


Base Kitchen User Manual



kettal

Index

References and revision record	3
Guarantee	4
Safety information	6
Presentation	9
Unboxing	10
Structure	11
Modules	12
Tools	15
Installation requirements	16
Wall	16
Floor	17
Freestanding	18
Installation procedure	19
Before to start	19
Overview	20
Structure	21
Structure - Joining of modules	22
Module - General	23
Module - Sink Top	26
Module - Cook Top	29
Module - BBQ Top	31
Module - Bar Top	33
Module - Work Top	34
You're done	36
Maintenance	38

References and revision record

Designer: Kettal Studio

Collection: Base Kitchen

Reference	Description
A680000E2	Base kitchen aluminium double structure
A680000E3	Base kitchen aluminium triple structure
A6R10INX00	Base structures joint
A6800ENCO0	Base kitchen worktop module
A6800ENCKB	Base kitchen bar worktop module
A6800GAS2Q	Base kitchen gas module 2 cook
A6800BBQHL	Base kitchen barbecue high lid module
A6800AGU0I	Base kitchen sink module (left faucet)
A6800AGU0D	Base kitchen sink module (right faucet)
57A68006E2 (Optional)	Base kitchen cover double
57A68006E3 (Optional)	Base kitchen cover triple
57A68006E4 (Optional)	Base kitchen cover quadruple

Revision record		
September 2023	Revision 0	Initial version

Guarantee

General guarantee

The guarantee is limited to Kettal product, excluding components manufactured by third party companies, as the water tap or cooking device, and does not cover:

- Damages caused by leaks / malfunctioning to objects, materials or any other element that is not part of the aforesaid authorized replacement.
- Disassemble and reassembly of the Kettal product to be replaced and all the furniture or structural parts that might be related to it.
- Exposure to corrosive environments or aggressive gases of chemical origin.

It is understood that possible differences in colour or grain are not considered as defects on veneered wood or stone or marble finishings.

Duration

For domestic use, is guaranteed for a period of five years against any manufacturing defect that affects their suitability for use. This applies to normal conditions of use and maintenance. This guarantee does not apply to faults or imperfections resulting from the passage of time or normal wear and tear. Circumstances not covered by this guarantee include, but are not limited to, the fading or change in shade of colours, changes in wood texture, scratches resulting from use, etc.

For non-domestic use, by the hotel and catering industry and collectives for example, is guaranteed for a period of two years.

For the components manufactured by third party companies, previously mentioned, is for the period that they have stipulated in their general guarantee.

The guarantee shall not be applicable:

- To defects or damages deriving from fair wear and tear of the products or from its improper use.
- To defects or damages deriving from failure to follow user instructions, or cleaning and maintenance suggestions included in the product data sheet.
- To inevitable small tone variations on all materials and finishes due to long-term exposure to natural or artificial lighting, to fumes or to natural aging process.
- Therefore possible replacements may have some differences if compared to the original finishes. This issue can not be used as a cause for a complaint or product return.
- To defects or damages caused by woodworm, long-term use of the product in unsuitable environment with excessive heating or humidity or other abnormal climatic conditions.
- To defects or damages caused by faulty installation or from alterations, adulterations, modifications or repairs made by the purchaser or any third parties.

Guarantee

The guarantee shall expire in the event of:

- Defects or damages to the single components caused by faulty installation or use of defective hydraulic and electrical components by non specialized personnel and/or which do not comply with the laws and regulations in force in the country.
- Damages to the single components deriving from disassembly, assembly, installation, adulterations and modifications when done by the purchaser without express authorization from Kettal.
- Defects or damages to elements and/or structures which house electrical appliances not installed by Kettal.
- Defects or damages deriving from the use of goods produced by third suppliers.

Electrical appliances

Kettal provides a recommended electrical appliances available on www.kettal.com web site, which is constantly updated.

Information regarding the electrical appliances in this on-line list is not binding.

The only specifications, which apply, are specified on the catalogues/price lists by each producer. Any complaint depending on uses or functions different from those specified by the manufacturer do not apply.

Should any manufacturer change its products, Kettal reserves itself the right to use similar appliances and to change prices according to the manufacturer guidelines.

Recommended cleaning

For appropriate cleaning, water and pH-neutral soap should be used (no power washers or water outside the temperature range of 10-40 °C). In the case of any other product or cleaning system being used, the product will not be covered by warranty.

Handling

The packaging can be very large and heavy. Please always carefully inspect and check the accessibility of the installation site.

Complaints about failed deliveries due to the lack of a preventive site inspection will not be accepted.

In case of complaint, contact our representative immediately or contact our offices directly. If the product is checked and is found to be flawed due purely to manufacturing faults, Kettal will decide whether the product should be repaired or exchanged. Keep the manufacturing batch label attached to the furniture to ensure the validity of the guarantee.








Teak surfaces

Being a natural material, teak may change colour or even crack due to humidity levels and sudden changes in temperature. Left outdoors, teak undergoes a natural process of oxidation that affects its colour, which turns an attractive silver-grey shade. Teak furniture is treated with a waterproof sealant to protect it from damp and stains (as long as they are cleaned immediately); however, this sealant naturally wears off over time.







Ceramic surfaces

Ceramic surfaces are superficially protected with a glaze in order to be protected from weather variations, dirt and other natural effects. It is important to keep the surface clean in order to be scratch-free, not to handle heavy items over it and to avoid falls and bumps. It is recommended to protect the surface with the corresponding cover.

Safety information

	<ul style="list-style-type: none"> This manual is part of the device. It must be kept intact and within easy reach throughout the life of the appliance. It is necessary to carefully read this manual and all its indications before using the device. This recommendations applies also to the appliance and component manuals included in the Annexes.
	<ul style="list-style-type: none"> Do not perform any other task than the given in this user manual. The installation of the Base Kitchen must be performed by qualified personnel, following the rules and regulations of the destination country. Product sensitive to hits and impacts. They can damage surfaces. Do not perform any modification on the device.
	<ul style="list-style-type: none"> The appliance has been manufactured for the following function: cabinet with food-cooking and dish-cleaning device; any other use should be considered improper. This appliance cannot be used as a heating source. The manufacturer declines all responsibility for uses other than those indicated. This appliance meets the requirements established by the EEC directives currently in force.
	<ul style="list-style-type: none"> Do not leave the device unattended during cooking. Grease and oil splashing may cause fires. Do not use or store flammable substances in or near available drawers or inside gaps.
	<ul style="list-style-type: none"> If the power supply cable is damaged it must be replaced for a new one. Contact Kettal. Any manipulation of the connection box by unauthorized personnel means the loss of the warranty. Do not exceed the maximum amperage allowed when installing other appliances (refrigerator, wine cellar, etc.).
	<ul style="list-style-type: none"> Use thermal gloves to avoid burn injuries when manipulating hot elements. Wear appropriate clothing when handling gas stoves. Do not wear loose clothing that can light on easily.
	<ul style="list-style-type: none"> The worktop surfaces and the cupboard doors must be operated gently to avoid injuries. The worktop surfaces may produce shear injuries. Pay special attention when children near the Base Kitchen.

Safety information







	<ul style="list-style-type: none"> When installed outdoors, cover the Base Kitchen when is not in use with the cover provided by Kettal.
	<ul style="list-style-type: none"> This device complies with the european directive 2002/96/CE regarding electric and electronic equipment (Waste Electrical and Electronic Equipment - WEEE). This directive defines the rules to the collection and recycling of the devices' waste valid throughout the European Union.
	<ul style="list-style-type: none"> The illustrations given in this manual are merely informative and have no contractual validity.
	<ul style="list-style-type: none"> The Base Kitchen is made with recyclable aluminium.
	<ul style="list-style-type: none"> If you smell gas: Turn off gas supply to the appliance / Do not attempt to light appliance / Extinguish any open flame, use an approved fire extinguisher. Never attempt to extinguish a oil or grase fire with water / If you continue to smell gas, immediately evacuate area and call for fire department or professional help and do not go near the appliance. Have a suitable fire extinguisher nearby, which is checked by a specialist at regular intervals in accordance with the rules and regulations of the destination country.
	<ul style="list-style-type: none"> Failure to follow these instructions and warnings could result in fire, explosion or burn hazard that could cause property damage, personal injury or even death. Using a butane appliance has a degree of risk that you are assuming. Properly following these instructions and warnings will help minimize that risk. This product, due to its design and materials, is not recommended for industrial or hospitality use that requires intensive use of it.

EN (European Standard): This appliance can be used by children aged from 8 years and above and persons with reduced physical, sensory or mental capabilities or lack of experience and knowledge they have been given supervision or instruction concerning use of the appliance in a safe way and understand the hazards involved. Children shall not play with the appliance. Cleaning and user maintenance shall not be made by children without supervision.

IEC (International Electrotechnical Commission): This appliance is not intended for use by persons (including children) with reduced physical, sensory or mental capabilities, or lack of experience and knowledge, unless they have been given supervision or instruction concerning use of the appliance by a person responsible for their safety. Children should be supervised to ensure that they do not play with the appliance.

Safety information

The CE plate must remain legible throughout the life of the device and must never be removed.

Label	Description	Location
 IPx4	The Base Kitchen has an IPx4 waterproof protection when not covered.	CE plate
 IPx6	The Base Kitchen has an IPx6 waterproof protection when covered with the cover specified by Kettal.	CE plate
	Caution	CE plate
	Read the user manual	CE plate
	Ground connection	CE plate
	Waste Electrical and Electronic Equipment Directive (WEEE)	CE plate

Presentation

This manual makes a walkthrough around the Base Kitchen components and their basic how-to-use.

It also contains the essential maintenance tasks to keep the Base Kitchen clean, tidy and good as new.

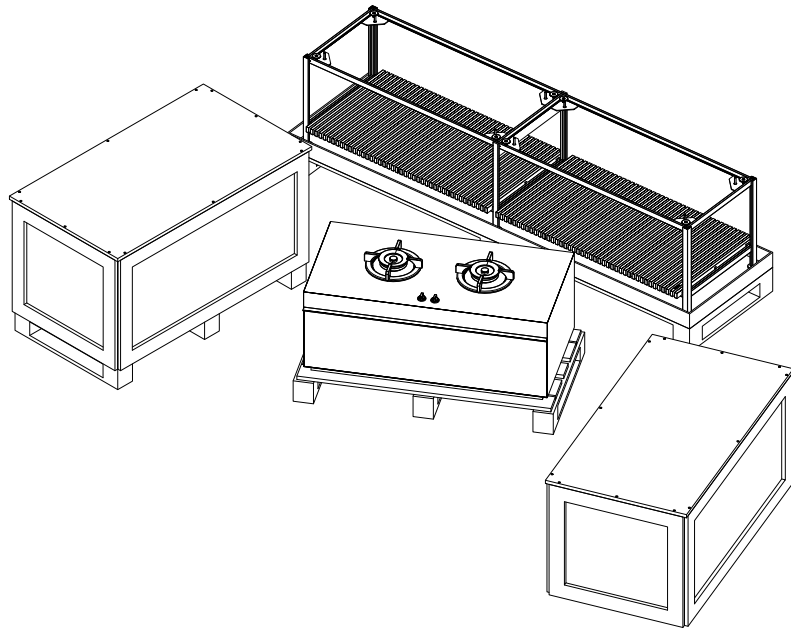
All of this always keeping in mind the safety of the user, those around it and the Base Kitchen itself.

Unboxing

All the components come perfectly packaged and protected. When unpacking them, please check that none of the modules have suffered any type of damage.

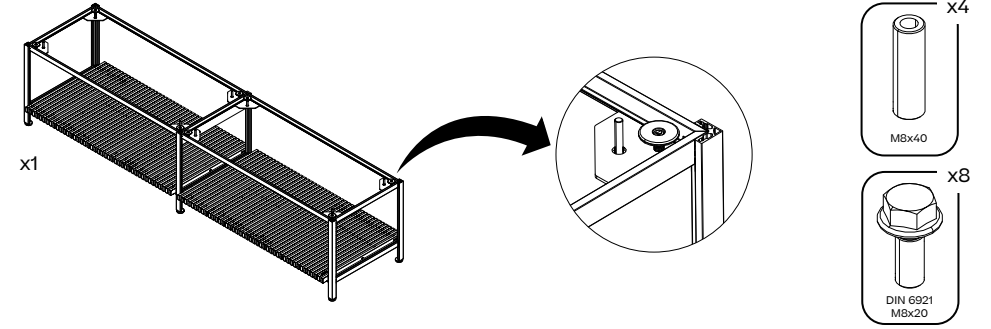
In case of any doubts, please get in touch with Kettal.

It is recommended that the installation be carried out by qualified personnel in compliance with local regulations.

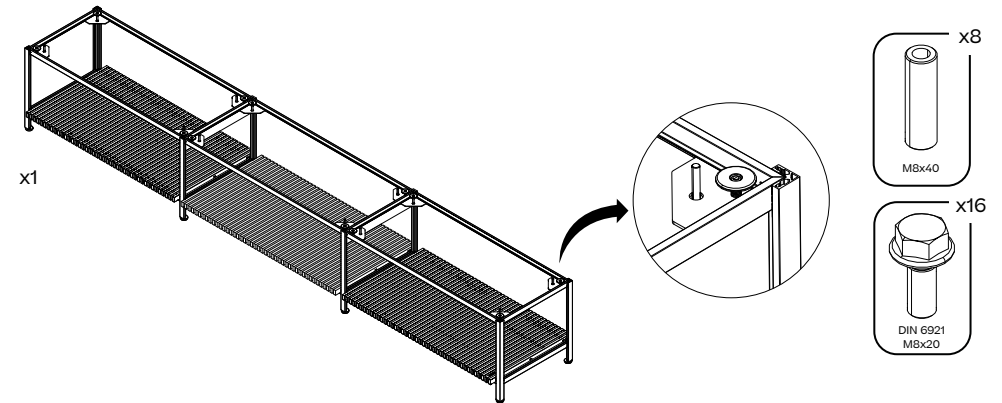


Structure

A6800000E2 - Base kitchen aluminium double structure

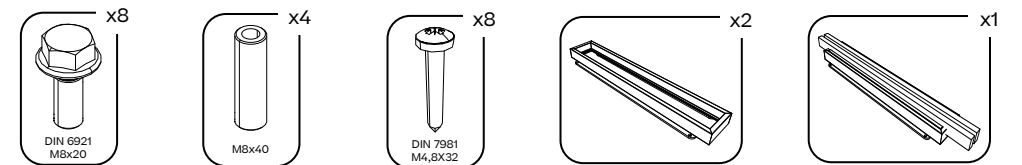


A6800000E3 - Base kitchen aluminium triple structure



A6R10INX00 - Base structures joint *

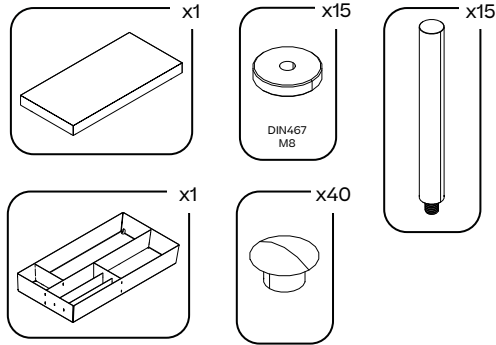
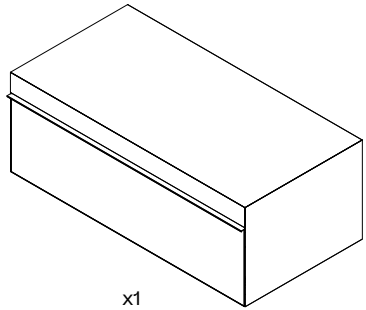
* Second unit of A6800000E2 is ordered separately



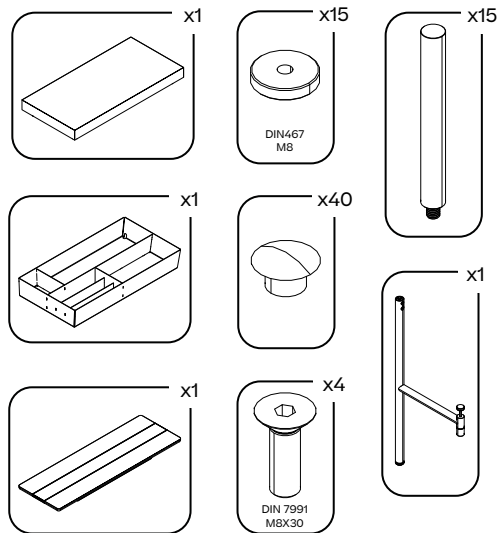
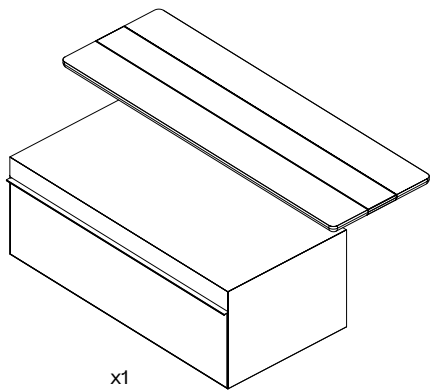
Modules

Modules that can be combined and added to the structures.

A6800ENC00 - Base kitchen worktop module

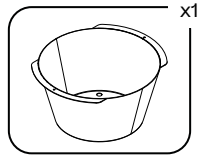
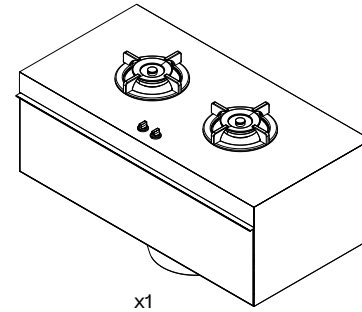


A6800ENCKB - Base kitchen bar worktop module



Modules

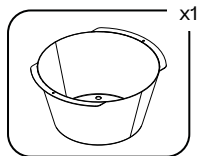
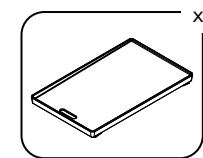
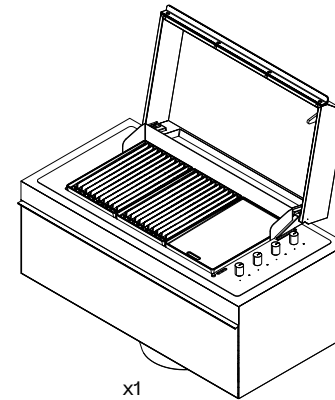
A6800GAS2Q - Base kitchen gas module 2 cook



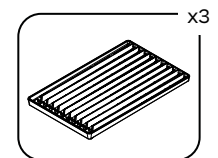
It is delivered together with the structure

* It does not include the LPG tank (D31 X H40 Max), regulator (depending on the country) and hose

A6800BBQHL - Base kitchen barbecue high lid module



It is delivered together with the structure

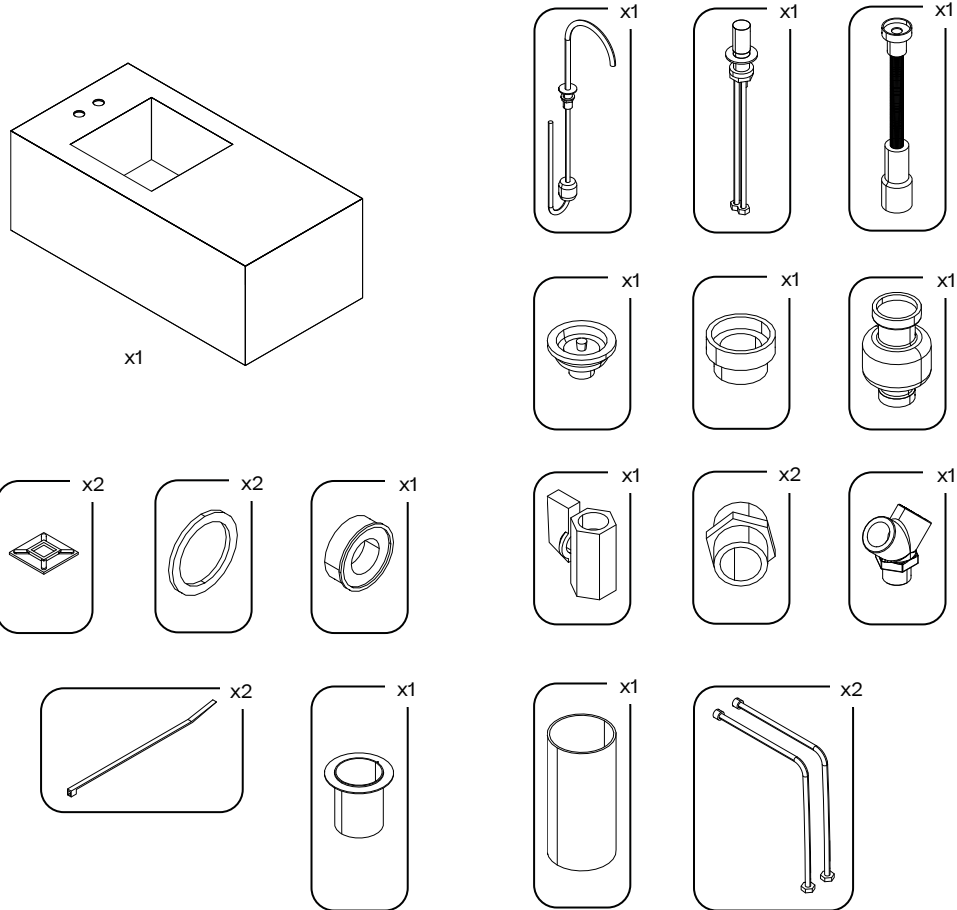


* It does not include the LPG tank (D31 X H40 Max), regulator (depending on the country) and hose

Modules

A6800AGU01 - Base kitchen sink module (left faucet)

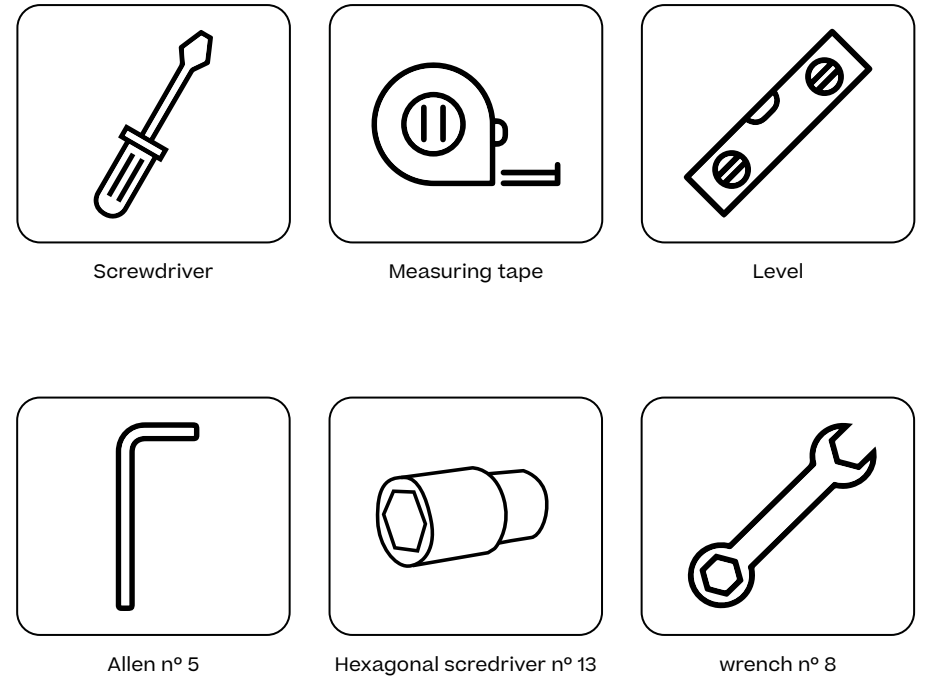
A6800AGU0D - Base kitchen sink module (right faucet)



* It requires installation
Drainpipe D40 / Water inlet 3/8"

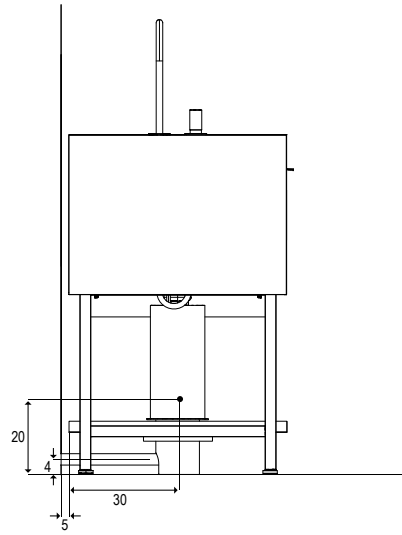
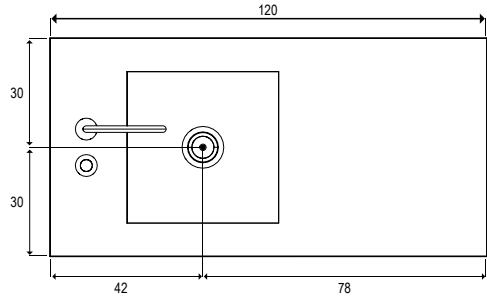
Tools

Tools required for assembling the modules.



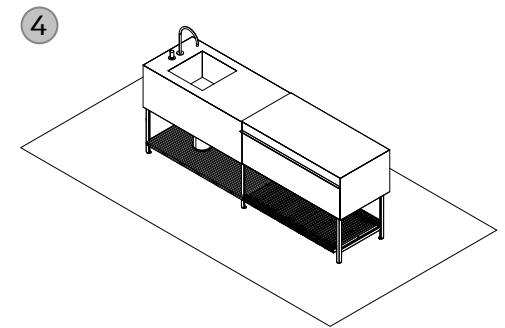
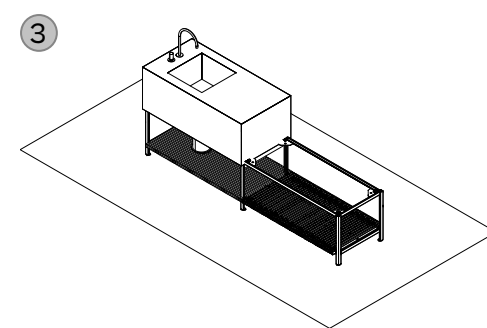
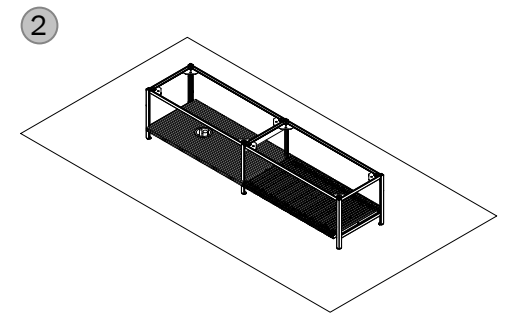
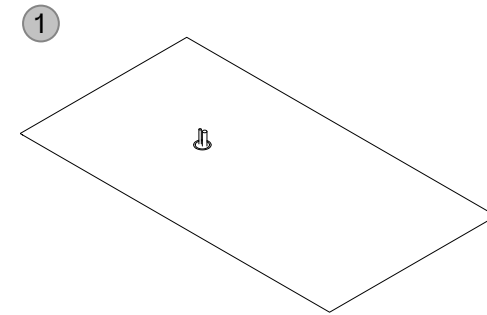
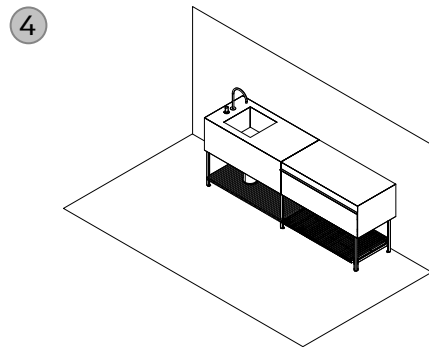
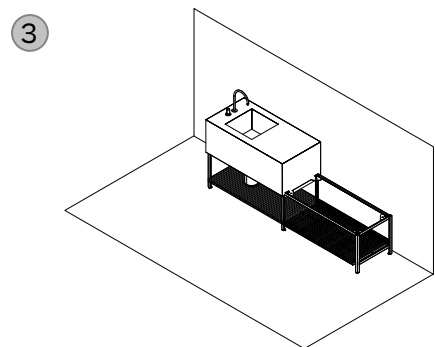
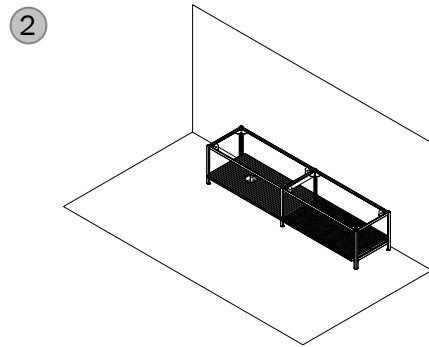
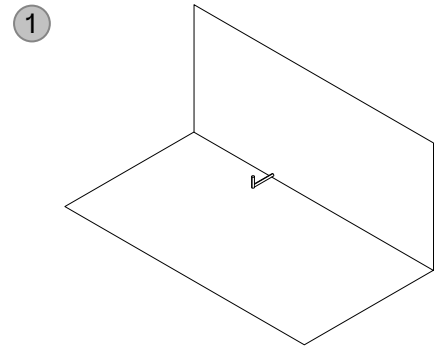
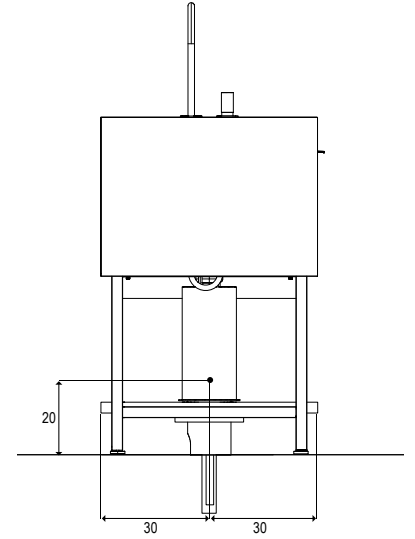
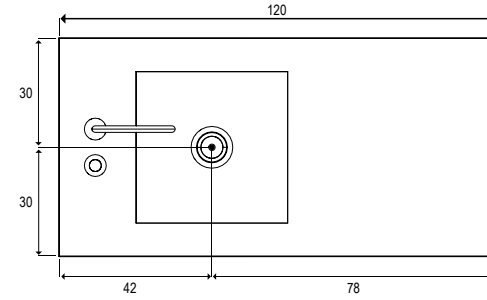
Installation requirements

Wall



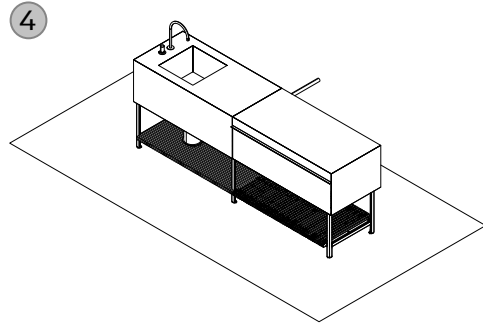
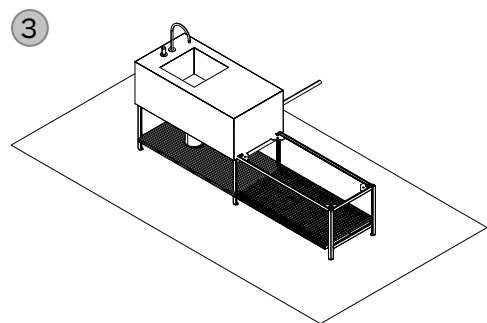
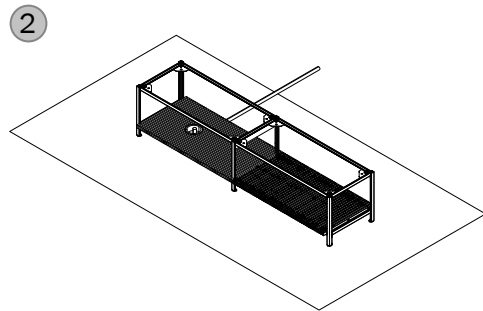
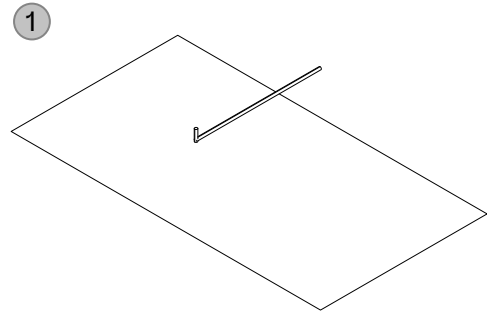
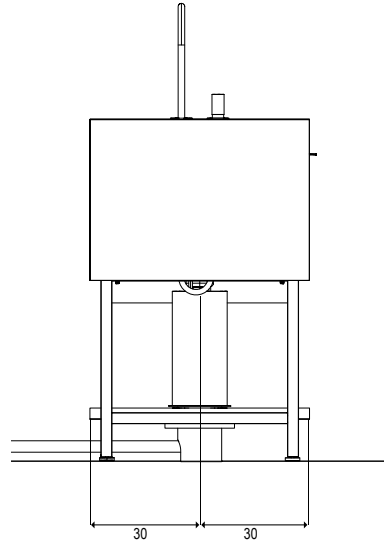
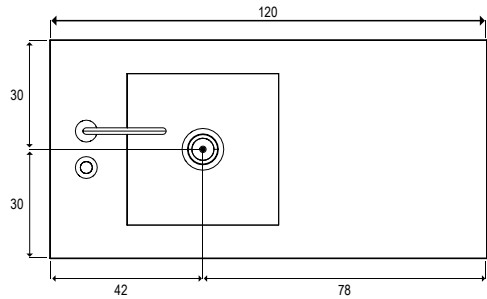
Installation requirements

Floor



Installation requirements

Freestanding



Installation procedure

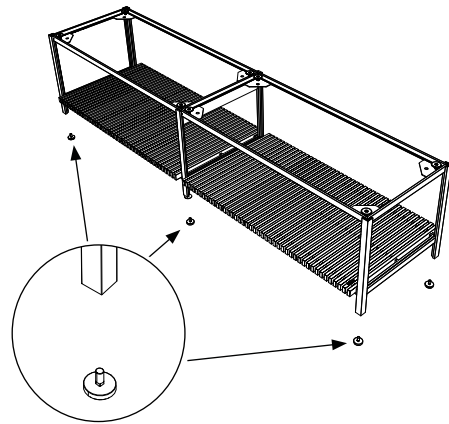
Before to start

	<p>The packaging contents the following elements:</p> <ul style="list-style-type: none"> • Base Kitchen ceramic modules. • Base Kitchen structures. • Optional waterproof cover.
	<ul style="list-style-type: none"> • The installation requires an electrical connection, a water inlet and a water outlet. The client must provide these services, according to the step 4 of the installation requirements (view Installation procedure - Overview). • Electrical installation requirements (worktop module: A6800ENC00): <ul style="list-style-type: none"> • 220-240 V. • 50/60 Hz. • Remove all protective plastics before using the device.
	<ul style="list-style-type: none"> • Always comply with the regulations relative electrical installations of the country where the Base Kitchen is installed. • A disconnection system must be incorporated into the fixed wiring. • For the electrical connection, it is necessary to incorporate a disconnecting switch that ensures the omnipolar cut-off, directly connected to the power supply terminals. It must have a contact separation in all its poles, providing total disconnection under category III overvoltage conditions in a zone that complies with the safety regulations of the site. • The means for disconnection must be incorporated into the fixed wiring in accordance with the country's wiring rules and current regulations. • The appliances must be powered via a residual current device (RCD) with a rated residual operating current not exceeding 30 mA.
	<p>The Base Kitchen can be placed outdoors, but preferably in covered environments.</p>
	<p>Optionally, it is possible to purchase a waterproof cover to protect the kitchen from the elements (view references and revision record).</p>

Installation procedure

Overview

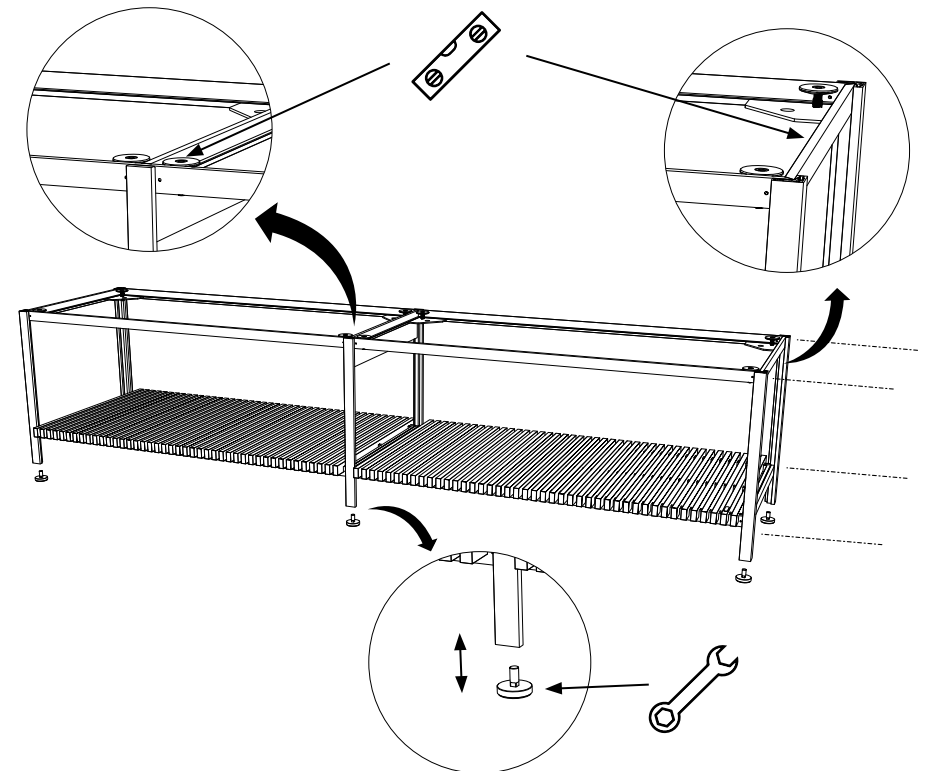
Step	Description
1	Unpack the Base Kitchen and check there are no missing elements. Depending on the number of modules in the kitchen, the size of the structure will vary.
2	Place the Base Kitchen structure on its location. If it is going to be installed next to a wall, leave a space between the rear end and the wall to make the electrical and plumbing connections.
3	Level the Base Kitchen using the adjustable legs.
4	Connect the plumbing connections. <ul style="list-style-type: none"> The water inlet has a 3/8" thread. The water outlet has a 40 mm diameter.
5	Connect the electrical power supply (Worktop module: A6800ENC00).
6	Check the correct operation of the water system and the appliances (if installed).



Installation procedure

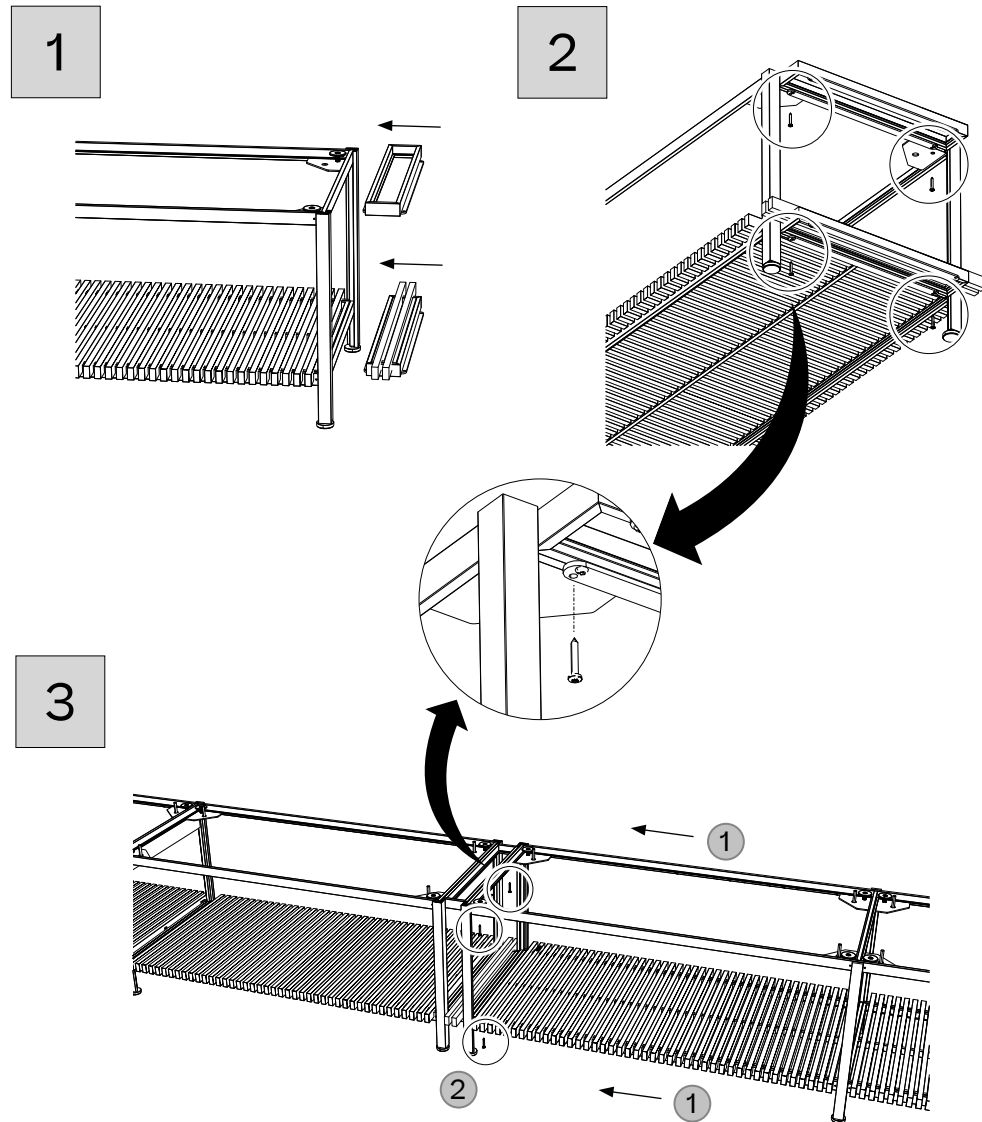
Structure

Ensure that the floor is perfectly levelled before installation.



Installation procedure

Structure - Joining of modules



Installation procedure

Module - General

The design of the Base Kitchen allows the user to combine its modules according to their needs.

There are different types of modules:

- Sink, Cook, BBQ, Bar/Work

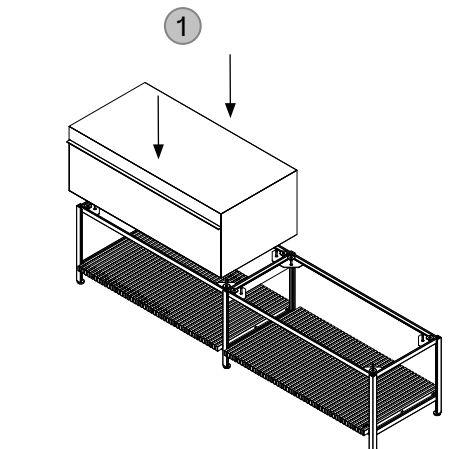
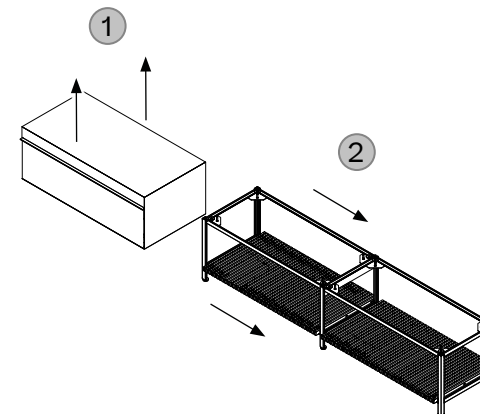
The top and front of each module are made of ceramic in different finishes chosen by the customer from the available catalog.

	Risk of hand crushing. Be very careful when handling the slidable surfaces.
--	---

	Assembly must be handled by 2 qualified people.
--	---

1	Align the module with the structure and lift it.
----------	--

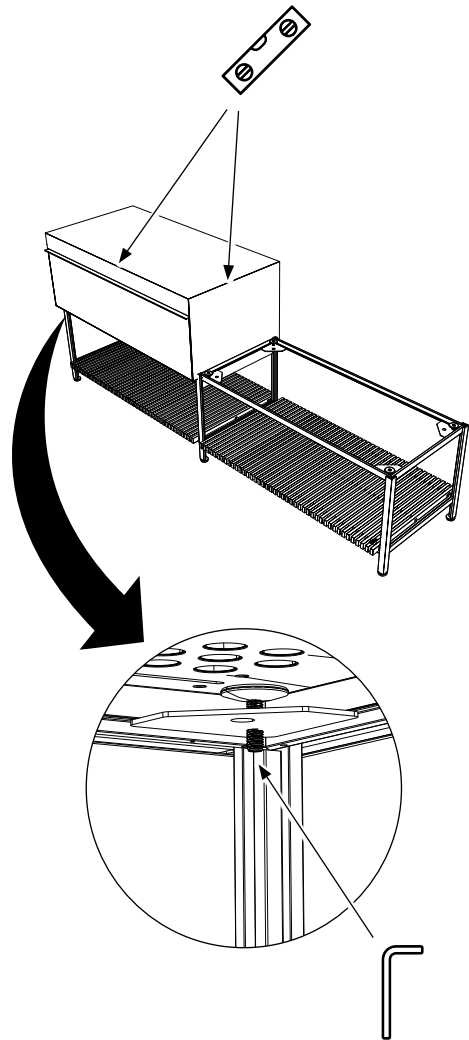
2	Rest the module on the structure.
----------	-----------------------------------



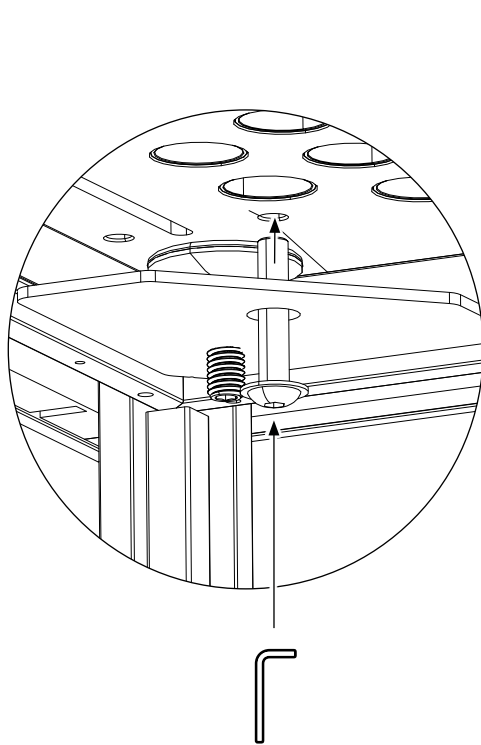
Installation procedure

Module - General

3 Adjust the 4 corners of the module with a 5mm Allen wrench to ensure that the top surface is aligned.



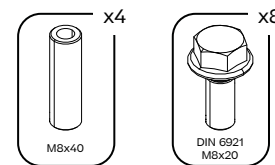
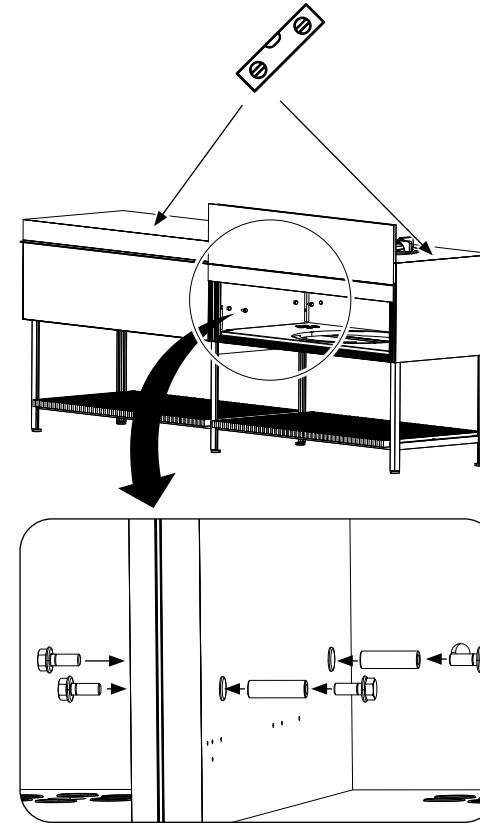
4 Secure the module to the 4 corners of the structure using M8 screws with a 5mm Allen wrench.



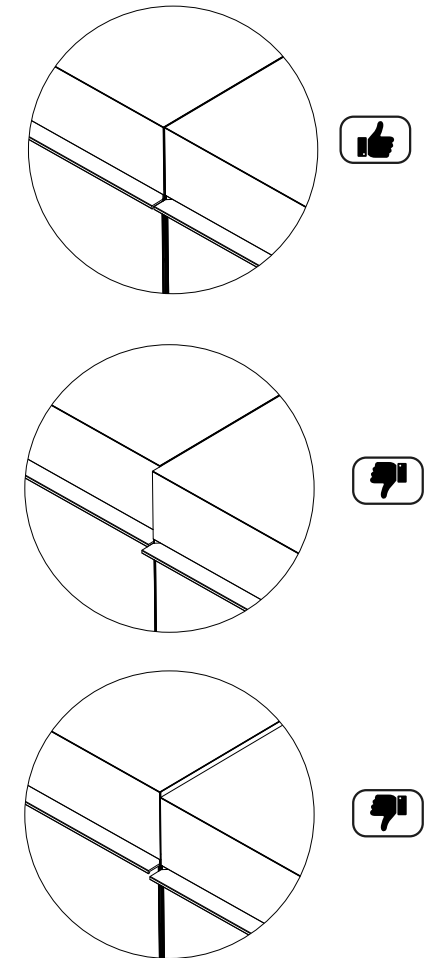
Installation procedure

Module - General

5 Add the following module to the structure, align and secure them using the nuts provided alongside the structure.

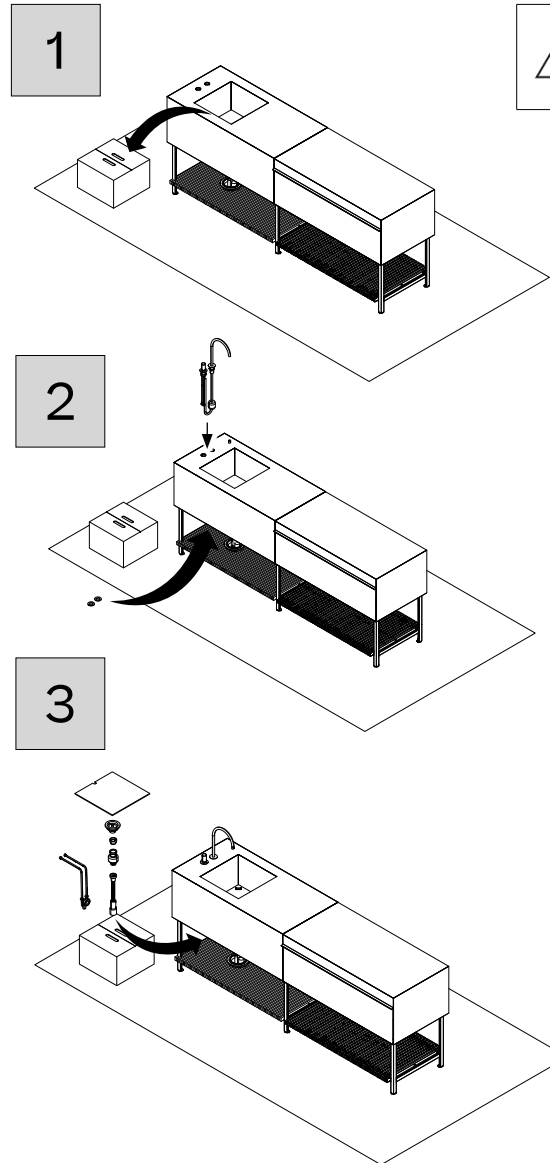



6 Verify that all the modules are correctly aligned.

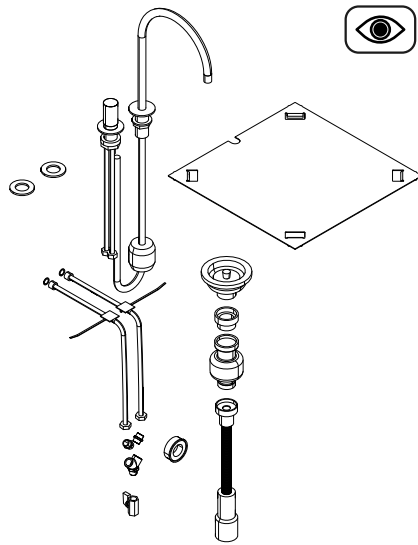


Installation procedure

Module - Sink Top

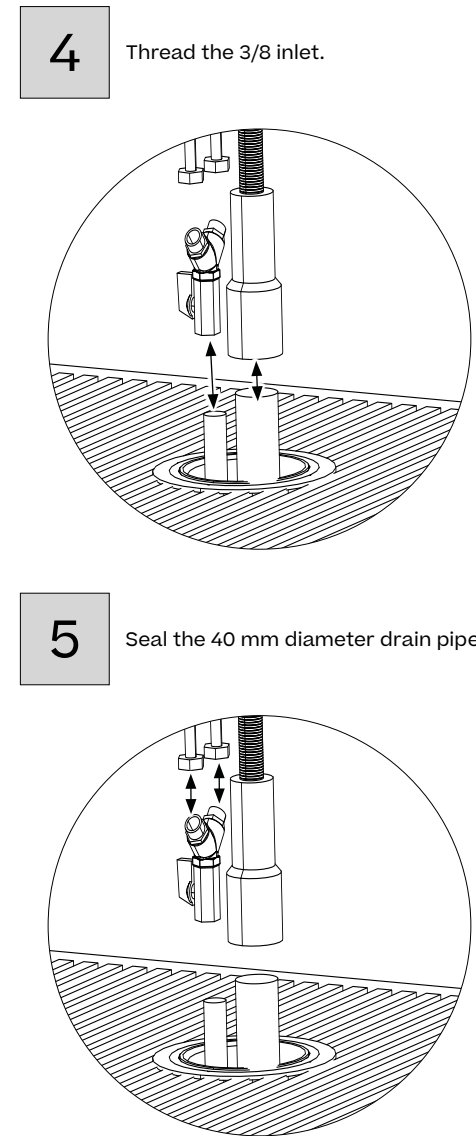


 Exercise caution when installing the elements of the module to avoid damaging the ceramic



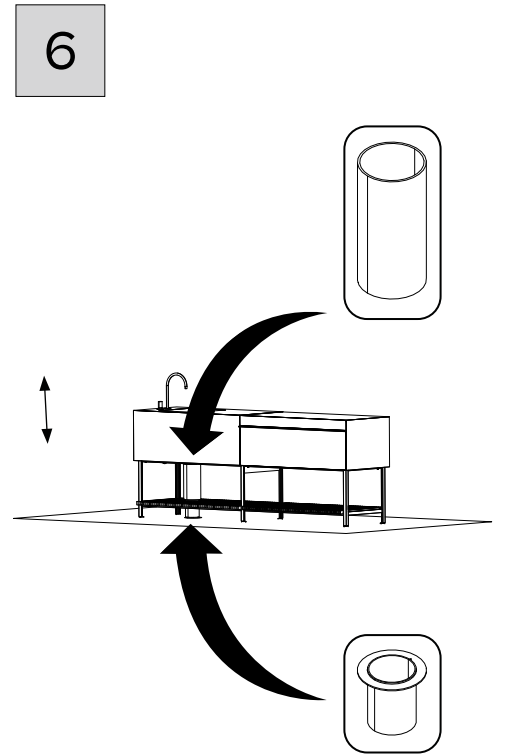
Installation procedure

Module - Sink Top



4 Thread the 3/8 inlet.

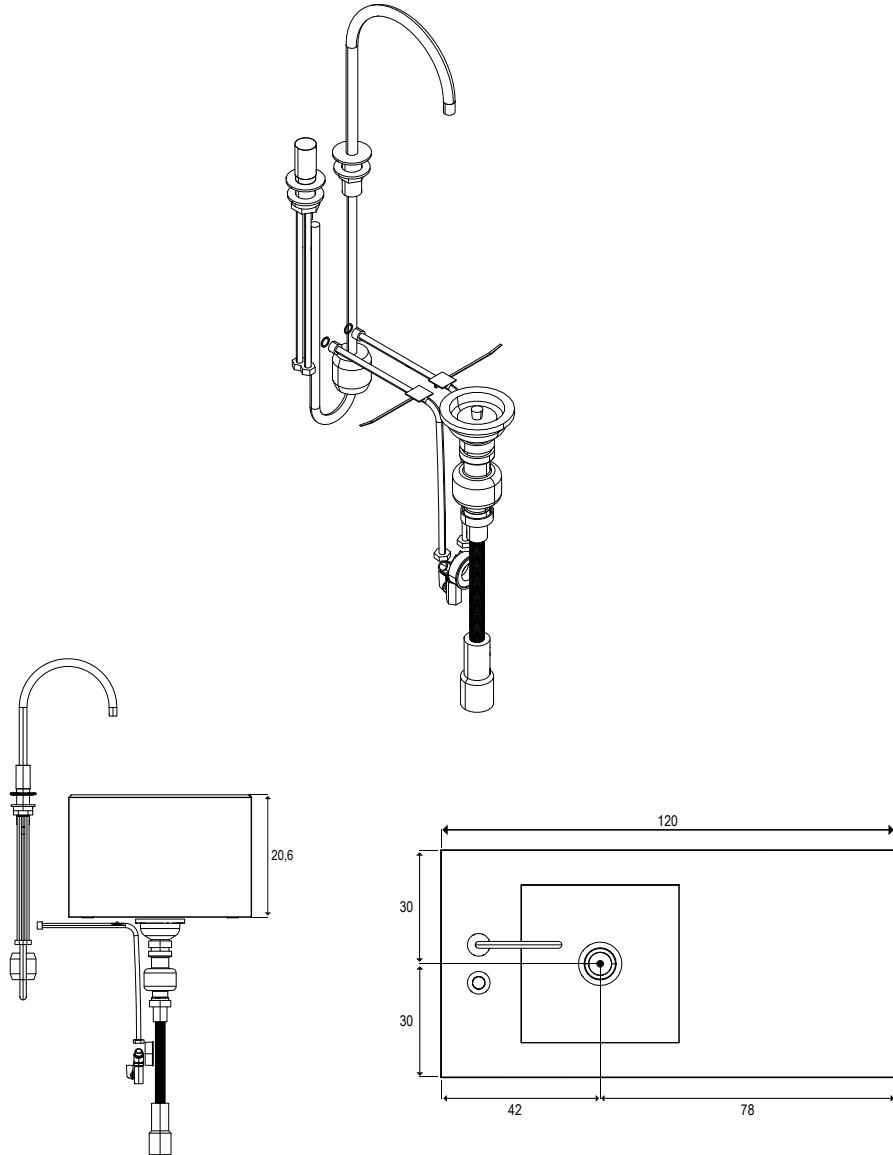
5 Seal the 40 mm diameter drain pipe.



6

Installation procedure

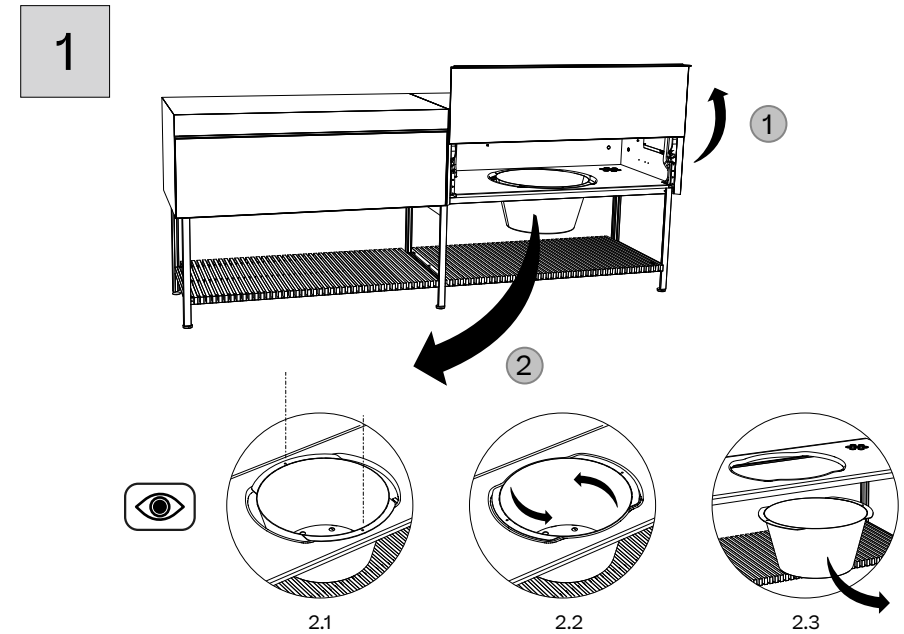
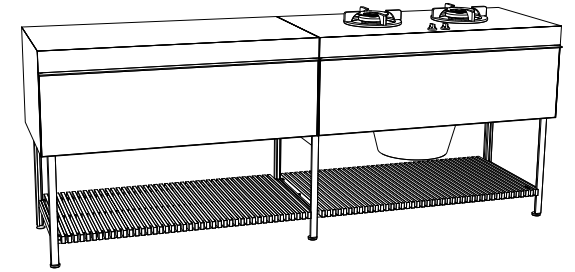
Module - Sink Top



Installation procedure

Module - Cook Top

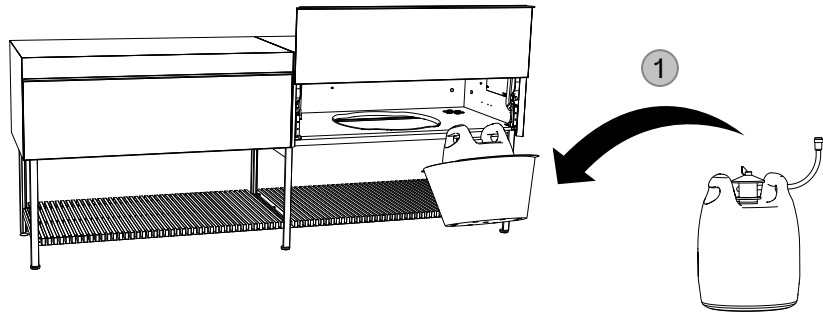
	<ul style="list-style-type: none"> The installation must be carried out by qualified personnel. The module requires connection to the electrical grid. No LGP and regulator included (depending on the country). D31cm H40cm.
--	--



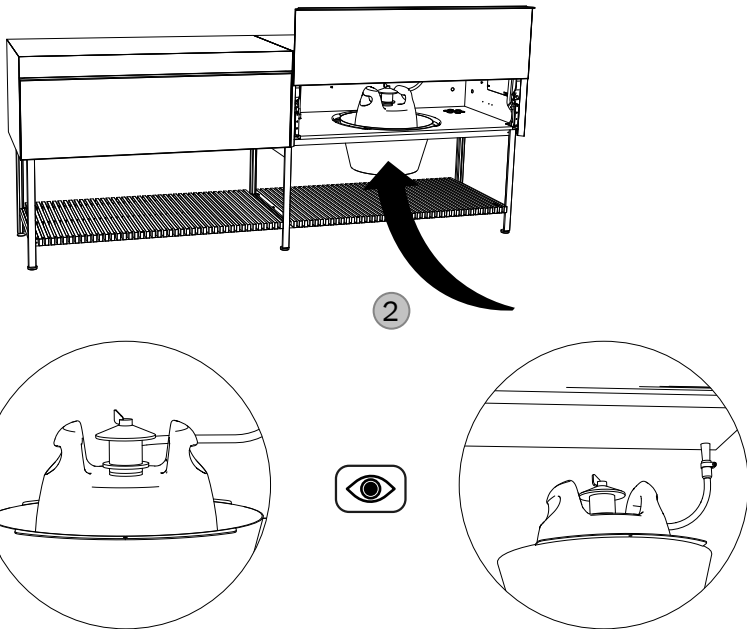
Installation procedure

Module - Cook Top

2





3

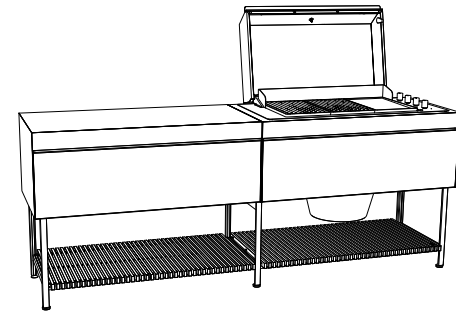


Installation procedure

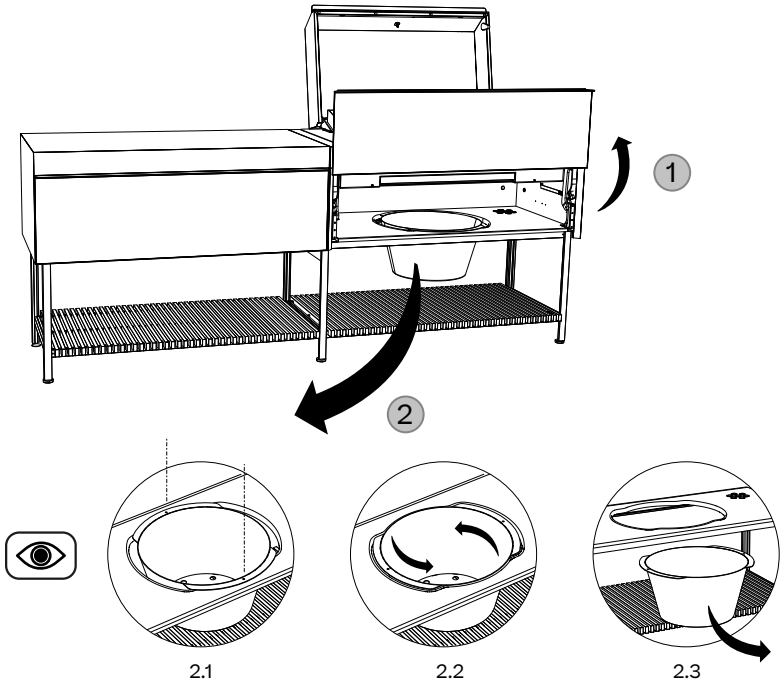
Module - BBQ Top

 The installation must be carried out by qualified personnel.

 No LGP and regulator included (depending on the country). D31cm H40cm.

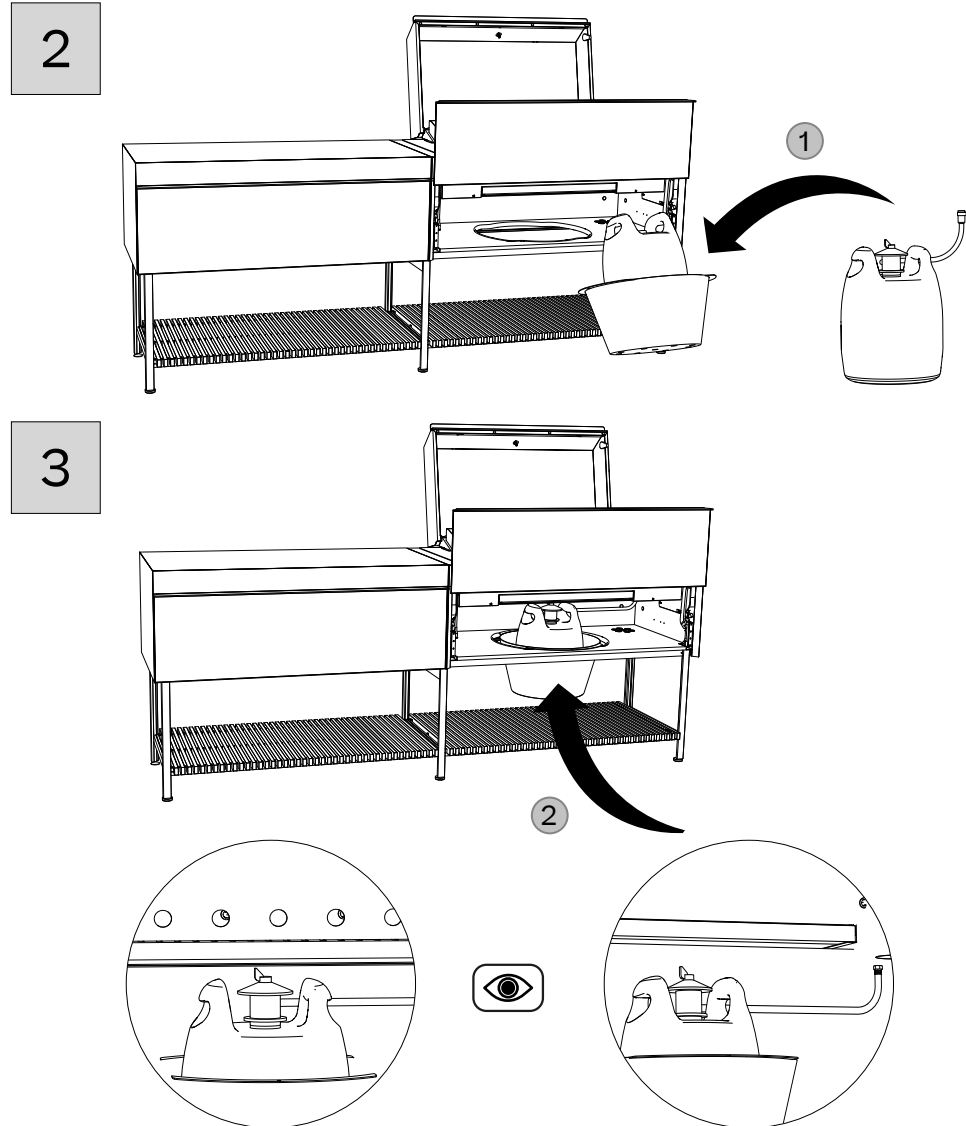


1



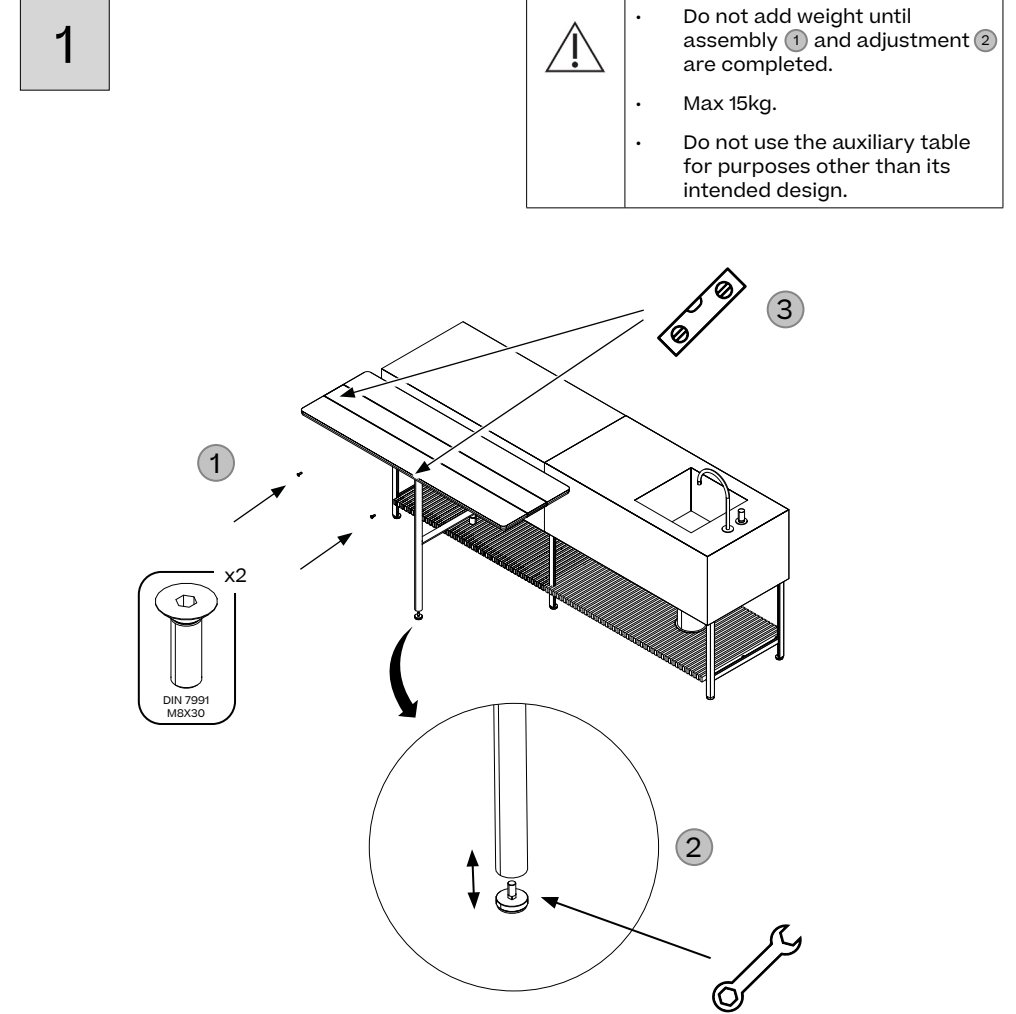
Installation procedure

Module - BBQ Top



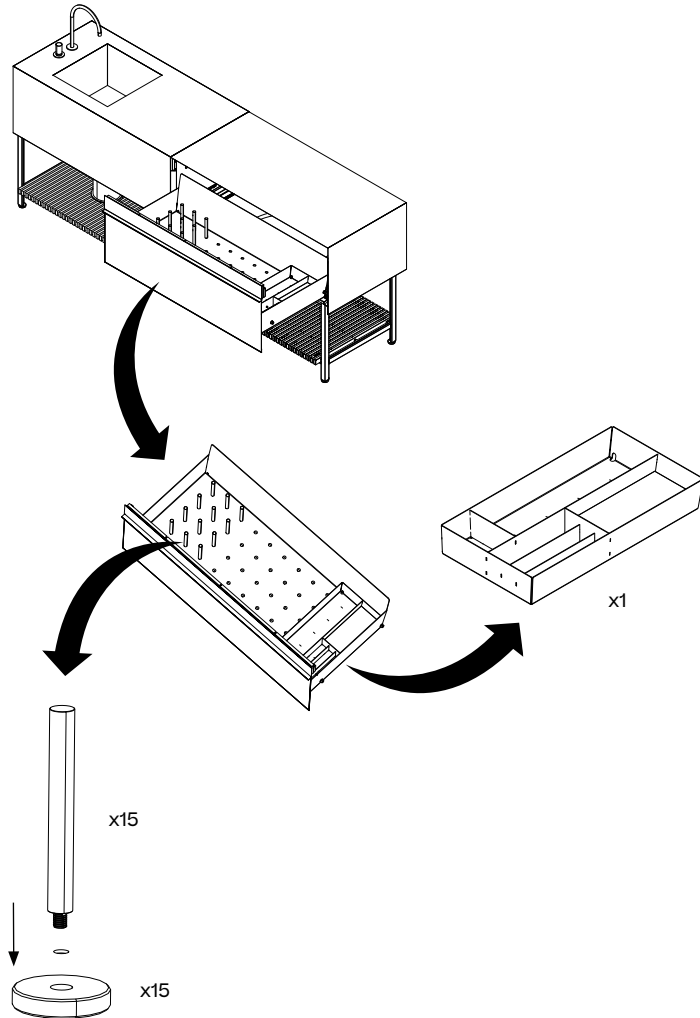
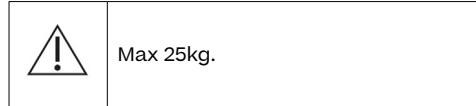
Installation procedure

Module - Bar Top



Installation procedure

Module - Work Top



Page intentionally left blank

You're done

Congratulations on your new Base kitchen!

Here are some tips for caring the modules, keeping your sink sparkling, and maintaining long-lasting countertops:

Modules Care

To maintain your modules, clean the doors, interiors and surfaces with a soft, damp cloth.

Only use cleaning products specifically designed for these materials.

Avoid products containing ammonia, alcohol, bleach, or abrasives.

Rinse thoroughly with clean water and then dry with a clean and dry cloth.

Promptly clean up any spills to prevent staining.

Sink Maintenance

After each use, wipe the sink clean with a damp cloth or sponge, using water or a non-abrasive detergent if necessary.

Rinse the sink bowl with water and then dry it with a dry cloth.

Avoid using abrasive materials that could scratch the stainless steel surface.


Be cautious with substances containing iron, as they can discolor the damp surface.

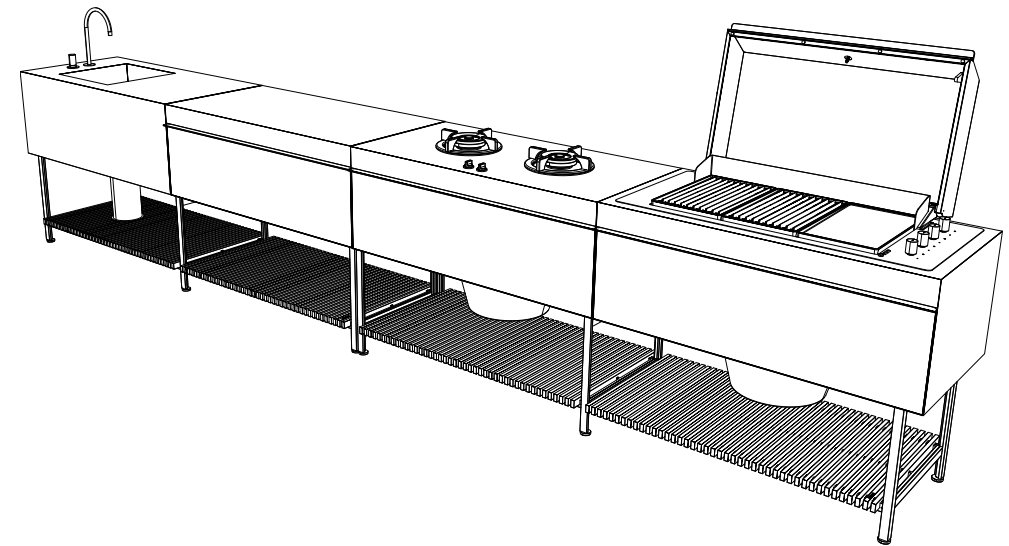
Countertop Care

To preserve your countertop's condition, promptly clean up spills using water and a mild detergent.

After use, ensure the countertop is kept as dry as possible.


By following these guidelines, you can keep your Base kitchen looking great and well-maintained for years to come.

	<p>Do not carry out industrial tasks. Using abrasive or chemical materials, or engaging in aggressive mechanical actions on the ceramic can damage or deteriorate both the material and the entire module.</p>
---	--



Maintenance

The following table contains the necessary maintenance tasks to be performed on the Base Kitchen as well as their corresponding frequency.

	<ul style="list-style-type: none"> Do not use steel scourers or spatulas for cleaning. Use non abrasive products and utensils to avoid damages. Do not use a pressure washer for cleaning.
---	--

Frequency	Element	Task	Description
After each use	Surfaces	Clean	Clean the vertical and horizontal surfaces using a soft cloth and neutral cleaner.
After each use	Cooking surface	Clean	Clean the cooking surface according to the manufacturer specifications. Refer to Annexes.
Every three months	Teak surfaces	Treat	Apply teak sealant.
Corrective	Sink drain	Clean	Remove the sink plate by pulling it up and remove the dirt from the drain. Once clean, put back the sink plate.
Corrective	Rear sink drain	Unblock	Open the rear end of the Base Kitchen to access the sink drain. Unscrew the bottom of the drain and clean the filter. Once clean, reassemble.
Corrective	Teak surfaces	Restore	Sand all over and apply teak sealant.
-	Paint	Maintenance	Refer to Annexes
-	Appliances	Maintenance	Refer to Annexes

Maintenance

Kettal presents a new range of maintenance products that have been exclusively developed for the protection and care of your collections. Unlike many other maintenance products, the maintenance products in the Kettal range are Ecosafe: These 100% biodegradable products contain neither toxic nor corrosive components and are completely environmentally friendly.

Range of five Kettal maintenance products:

- Teak protector: Oil for direct application to weatherproof teak.
- Teak cleaner: The cleaner's formula both cleans and brightens teak and removes stains, grease, dust and other residues that build up over time
- Fabric protector: The formula covers the fabric and makes it waterproof and resistant to environmental dirt.
- Universal cleaner: This product's universal formula cleans aluminium, resin, lacquered resin, Textilene and plaited synthetic fibre.
- Paint repairer brush: Paint brush for repairing possible scratches on aluminium tubing; available in the main colours in the Kettal colour range.

Revision: 0

Date: September 2023

The copying, use distribution or disclosure of this/these confidential document/s is strictly forbidden without prior written consent. Any breach will subject the infringing party to remedies. All right reserved in case of the grant of a patent or registration of a utility model or design.

Kettal Barcelona
Aragón, 316
08009 Barcelona, Spain
T. (34) 93 487 90 90
F. (34) 93 487 90 66

kettal