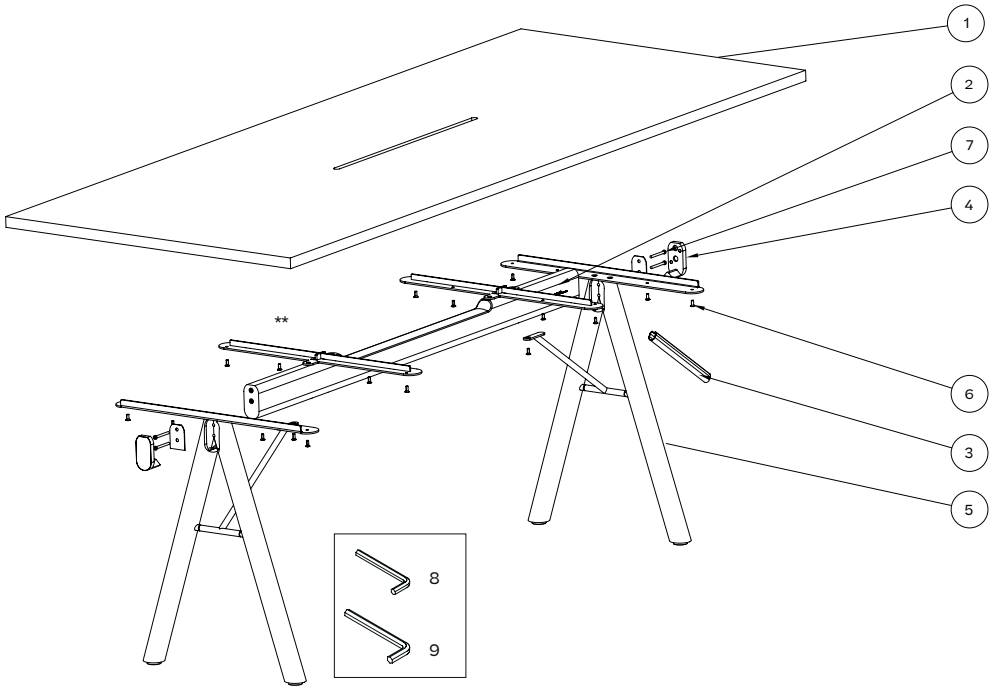


A  
Meeting Table,  
Assembly instructions



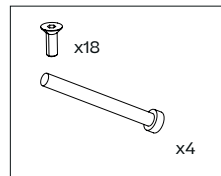
**kettal**

# Overview



- 1. Table top
- 2. Beam
- 3. Trestles (x2)
- 4. Beam end (x2)
- 5. Cable holder
- 6. Screws DIN 7991 M6x16 (x18)
- 7. Screws DIN 7984 M6x60 (x4)
- 8. Allen key H3 (For studs, already assembled, just need to tighten)
- 9. Allen key H5 (for screw #6)

## Screws



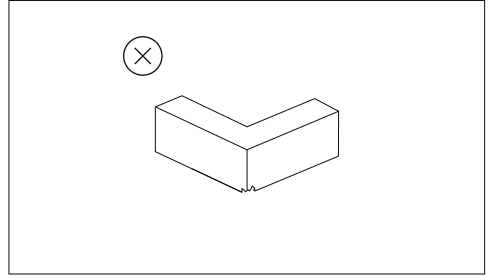
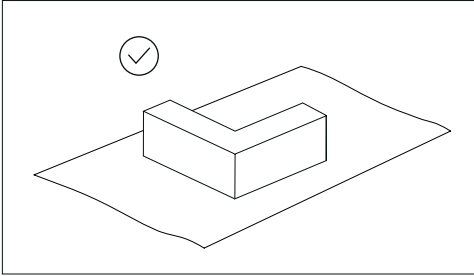
\*Electronic components come pre-installed

\*\*Central supports are part of the beam.

# Before assembly

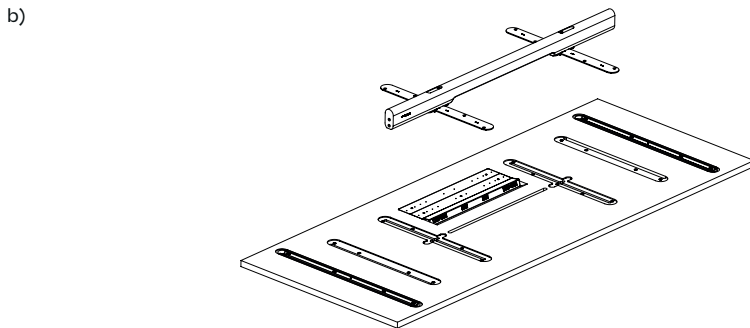
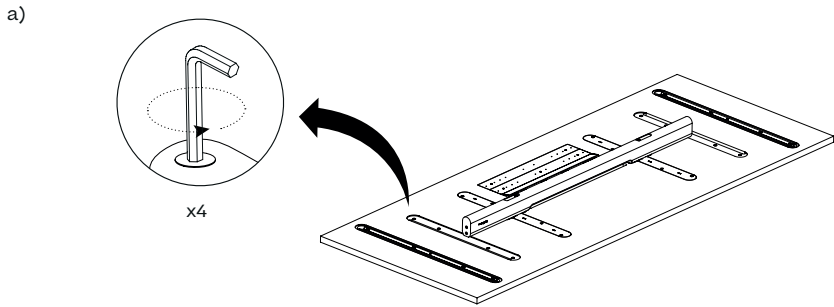
Place all the pieces above a rug to avoid broken corners

---



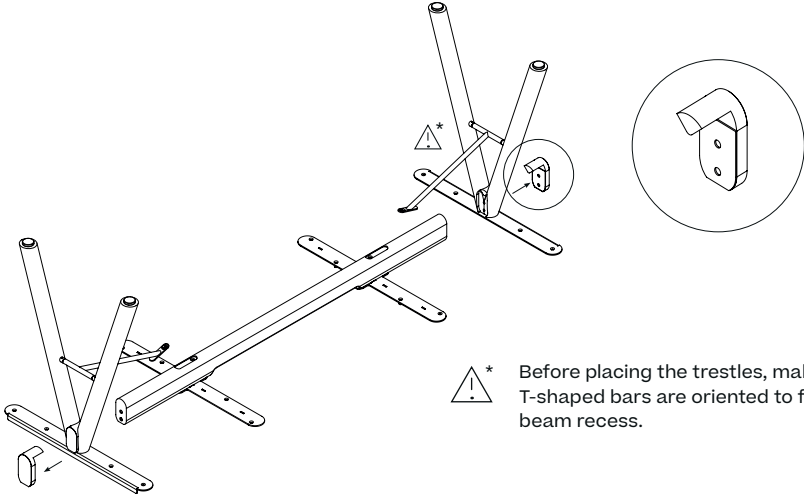
Unscrew the beam from the table top

---



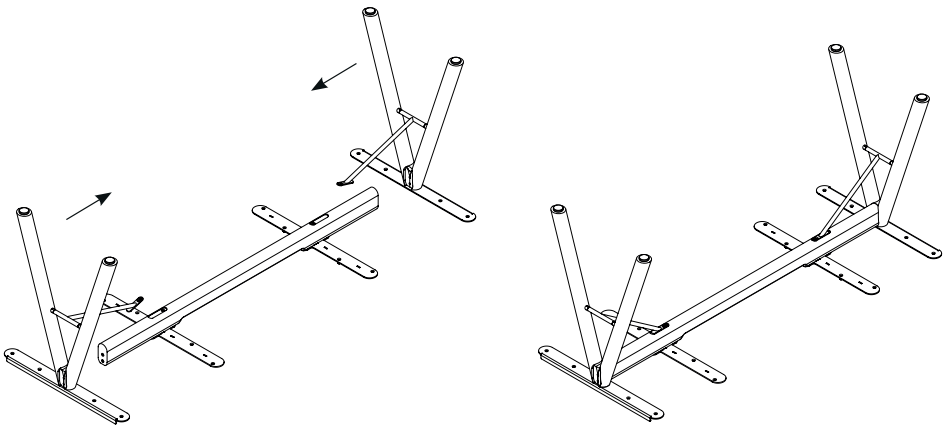
# Steps

1 Place both trestles and the beam above a rug and remove the beam end



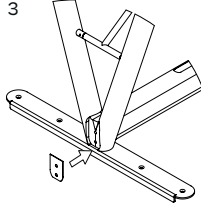
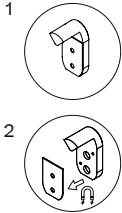
! \* Before placing the trestles, make sure the T-shaped bars are oriented to fit into the beam recess.

2 Insert beam on both trestles

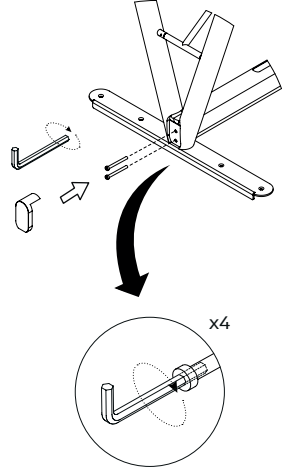


3

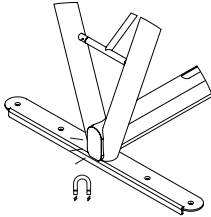
3.1



3.2



3.3

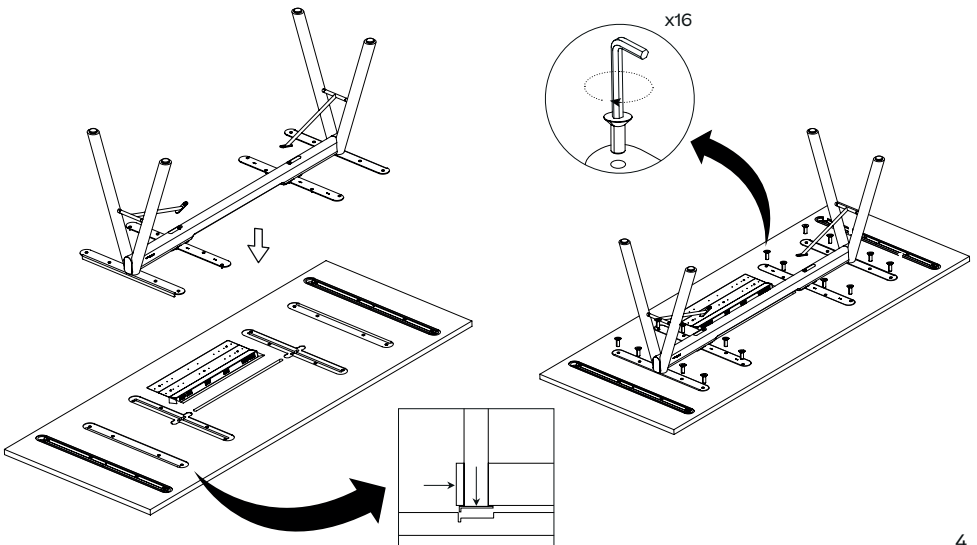


Don't screw the T-shaped bars. Wait until the relevant step is required.

\* Repeat the process in the other trestle.

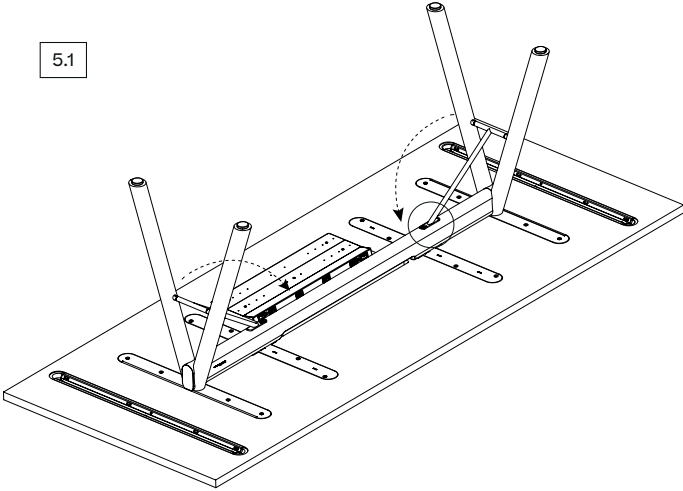
4

Place the table top and fit the plate into the recess. Anchor 4 side screws + 2 central screws

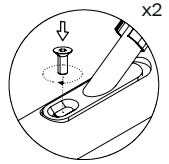


5 Screw the T-shaped bars to the beam

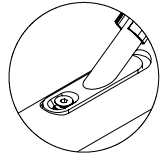
5.1



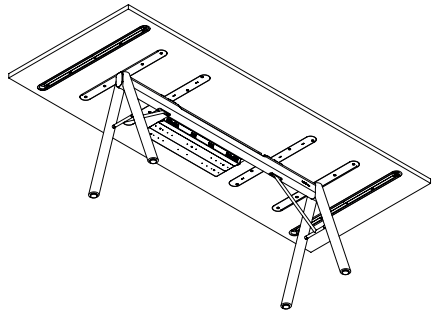
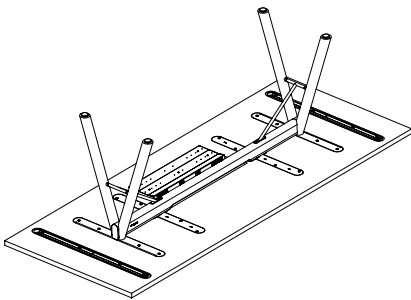
5.2



5.3

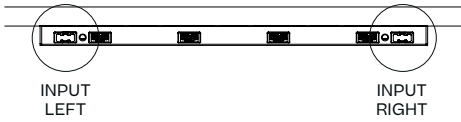


6

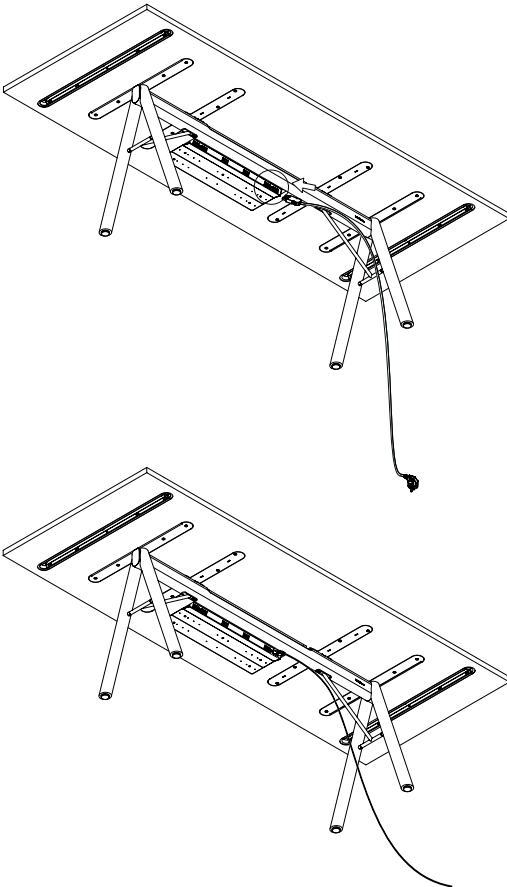


7

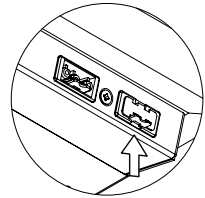
Select the power input connector that suits better the installation



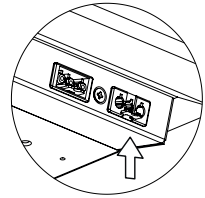
Do not remove the protective cover from the power input that is not in use.



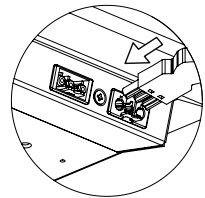
7.1



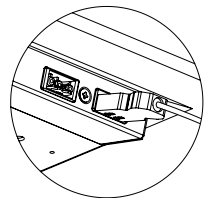
7.2



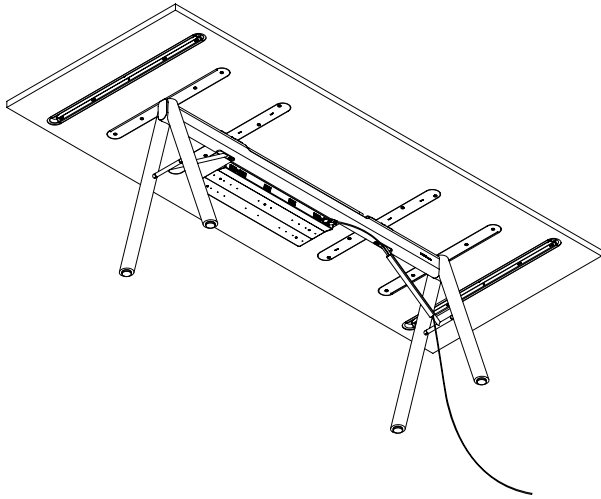
7.3



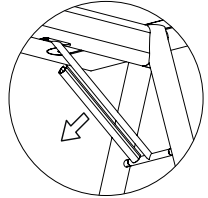
7.4



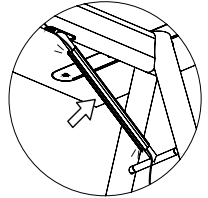
8 Fasten the cable with the cable holder and plug it into the nearest power outlet



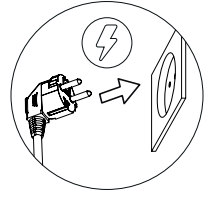
8.1



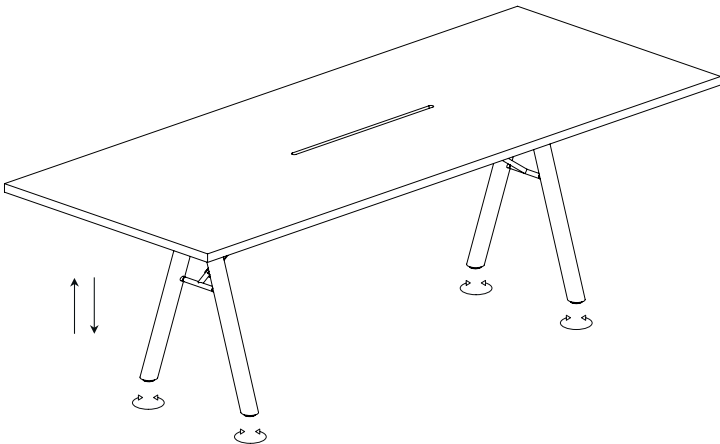
8.2



8.3



9 Level the table





Kettal.  
Aragón 316. 08009 Barcelona. Spain