

Passage

Centre square table

100 x 100

Assembly instructions

kettal

Passage

Centre square table

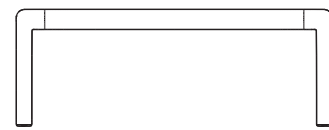
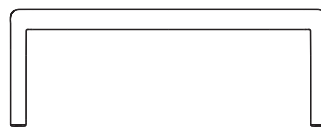
100 x 100

Description

Passage as a concept is highly ambiguous and versatile and can be used to describe numerous actions and situations. Passage relates to movement, it describes passing or movement from one place to another, in relation to travel, literature or music. Seamlessly moving from one place to another, it can be installed indoors or outdoors, displayed in a public space or discreetly placed at home.

cm/inch

38/15



cm/inch

100/39,3



100/39,3



Information

Cleaning Instructions

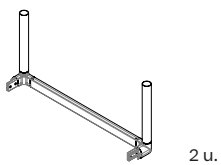
Use a soft cloth, warm water and pH neutral detergent.
Do not use: acids, ammonia, abrasive powders, window
cleaners and so on.

If accidental contamination or splashing of strong alkalis or
acids occurs, wash the affected area with a large amount of
clean water, especially cut-outs or holes and cavities.

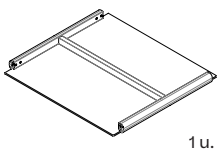
This product is suitable for indoor and outdoor.

Elements

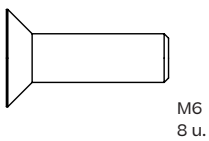
A



B



C



D

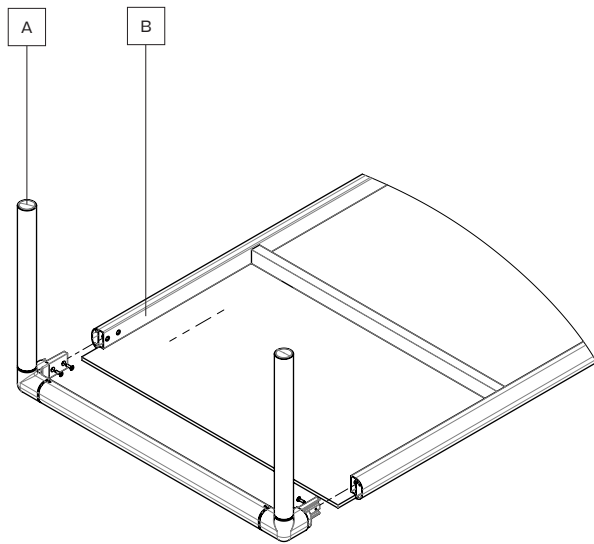


Passage

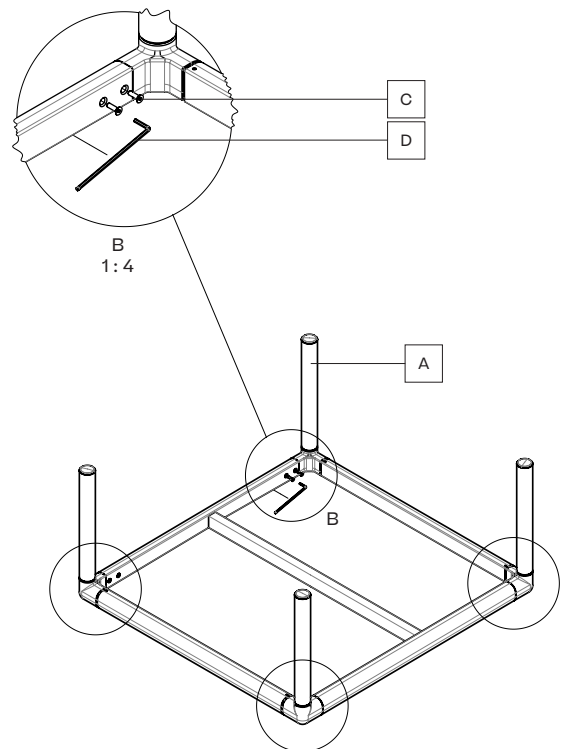
Centre square table

100 x 100

1 Assemble the the leg structures to the frames.



2 Tighten the screws of the leg frame and repeat the process in the other attachments.



3

