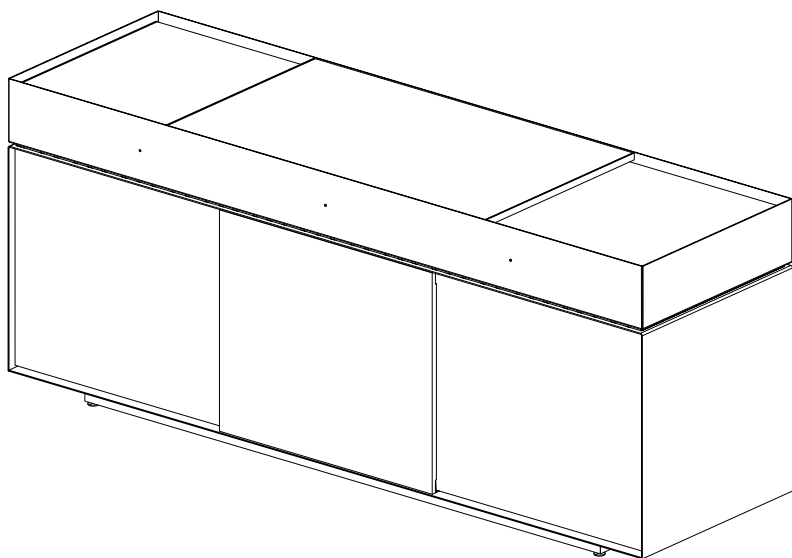


Side Kitchen User Manual



kettal

Index

Guarantee	4
Safety information	6
Presentation	9
Surfaces	10
Sink	11
Cooking appliance	12
Cupboards	13
Rear end	14
Installation	15
Maintenance	18

Designer: Kettal Studio

Collection: Objetos

Reference	Description
57800020I0	Side Kitchen with induction hob
57800020B0	Side Kitchen with BBQ grill
57800020B2	Side Kitchen with BBQ grill + 2 power outlets

Revision record		
October 2020	Revision 0	Initial version

Guarantee

General guarantee

The guarantee is limited to KETTAL product, excluding components manufactured by third party companies, as the water heater, water tap or cooking device, and does not cover:

- Damages caused by leaks / malfunctioning to objects, materials or any other element that is not part of the aforesaid authorized replacement.
- Disassemble and reassembly of the KETTAL product to be replaced and all the furniture or structural parts that might be related to it.
- Exposure to corrosive environments or aggressive gases of chemical origin.

It is understood that possible differences in colour or grain are not considered as defects on veneered wood or stone or marble finishings.

Duration

For domestic use, is guaranteed for a period of five years against any manufacturing defect that affects their suitability for use. This applies to normal conditions of use and maintenance. This guarantee does not apply to faults or imperfections resulting from the passage of time or normal wear and tear. Circumstances not covered by this guarantee include, but are not limited to, the fading or change in shade of colours, changes in wood texture, scratches resulting from use, etc.

For non-domestic use, by the hotel and catering industry and collectives for example, is guaranteed for a period of two years.

For the components manufactured by third party companies, previously mentioned, is for the period that they have stipulated in their general guarantee.

The guarantee shall not be applicable:

- To defects or damages deriving from fair wear and tear of the products or from its improper use.
- To defects or damages deriving from failure to follow user instructions, or cleaning and maintenance suggestions included in the product data sheet.
- To inevitable small tone variations on all materials and finishes due to long-term exposure to natural or artificial lighting, to fumes or to natural aging process.
- Therefore possible replacements may have some differences if compared to the original finishes. This issue can not be used as a cause for a complaint or product return.
- To defects or damages caused by woodworm, long-term use of the product in unsuitable environment with excessive heating or humidity or other abnormal climatic conditions.
- To defects or damages caused by faulty installation or from alterations, adulterations, modifications or repairs made by the purchaser or any third parties.

Guarantee

The guarantee shall expire in the event of:

- Defects or damages to the single components caused by faulty installation or use of defective hydraulic and electrical components by non specialized personnel and/or which do not comply with the laws and regulations in force in the country.
- Damages to the single components deriving from disassembly, assembly, installation, adulterations and modifications when done by the purchaser without express authorization from KETTAL.
- Defects or damages to elements and/or structures which house electrical appliances not installed by KETTAL.
- Defects or damages deriving from the use of goods produced by third suppliers.

Electrical appliances

KETTAL provides a recommended electrical appliances available on www.kettal.com web site, which is constantly updated.

Information regarding the electrical appliances in this on-line list is not binding.

The only specifications, which apply, are specified on the catalogues/price lists by each producer. Any complaint depending on uses or functions different from those specified by the manufacturer do not apply.

Should any manufacturer change its products, KETTAL reserves itself the right to use similar appliances and to change prices according to the manufacturer guidelines.

Recommended cleaning

For appropriate cleaning, water and pH-neutral soap should be used (no power washers or water outside the temperature range of 10-40 °C). In the case of any other product or cleaning system being used, the product will not be covered by warranty.

Handling

The packaging can be very large and heavy. Please always carefully inspect and check the accessibility of the installation site.








Complaints about failed deliveries due to the lack of a preventive site inspection will not be accepted.

In case of complaint, contact our representative immediately or contact our offices directly. If the product is checked and is found to be flawed due purely to manufacturing faults, KETTAL will decide whether the product should be repaired or exchanged. Keep the manufacturing batch label attached to the furniture to ensure the validity of the guarantee.





Teak surfaces

Being a natural material, teak may change colour or even crack due to humidity levels and sudden changes in temperature. Left outdoors, teak undergoes a natural process of oxidation that affects its colour, which turns an attractive silver-grey shade. Teak furniture is treated with a waterproof sealant to protect it from damp and stains (as long as they are cleaned immediately); however, this sealant naturally wears off over time.

Safety information

	<ul style="list-style-type: none"> • This manual is part of the device. It must be kept intact and within easy reach throughout the life of the appliance. • It is necessary to carefully read this manual and all its indications before using the device. • This recommendations applies also to the appliance and component manuals included in the Annexes.
	<ul style="list-style-type: none"> • Do not perform any other task than the given in this user manual. • The installation of the Side Kitchen must be performed by qualified personnel, following the rules and regulations of the destination country. • Do not perform any modification on the device.
	<ul style="list-style-type: none"> • The appliance has been manufactured for the following function: cabinet with food-cooking and dish-cleaning device; any other use should be considered improper. • The manufacturer declines all responsibility for uses other than those indicated. • This appliance meets the requirements established by the EEC directives currently in force.
	<ul style="list-style-type: none"> • Do not leave the device unattended during cooking. Grease and oil splashing may cause fires.
	<ul style="list-style-type: none"> • If the power supply cable is damaged it must be replaced for a new one. Contact KETTAL. • Any manipulation of the connection box by unauthorized personnel means the loss of the warranty. • Do not exceed the maximum amperage allowed when installing other appliances (refrigerator, wine cellar, etc.).
	<ul style="list-style-type: none"> • Use thermal gloves to avoid burn injuries when manipulating hot elements.
	<ul style="list-style-type: none"> • The worktop surfaces and the cupboard doors must be operated gently to avoid injuries. • The worktop surfaces may produce shear injuries. • Pay special attention when children near the Side Kitchen.

Safety information

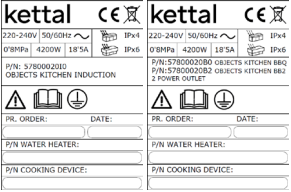






	<ul style="list-style-type: none"> When installed outdoors, cover the Side Kitchen when is not in use with the cover provided by Kettal.
	<ul style="list-style-type: none"> This device complies with the european directive 2002/96/CE regarding electric and electronic equipment (Waste Electrical and Electronic Equipment - WEEE). This directive defines the rules to the collection and recycling of the devices' waste valid throughout the European Union.
	<ul style="list-style-type: none"> The illustrations given in this manual are merely informative and have no contractual validity.
	<ul style="list-style-type: none"> The Side Kitchen is made with recyclable aluminium.

EN (European Standard): This appliance can be used by children aged from 8 years and above and persons with reduced physical, sensory or mental capabilities or lack of experience and knowledge they have been given supervision or instruction concerning use of the appliance in a safe way and understand the hazards involved. Children shall not play with the appliance. Cleaning and user maintenance shall not be made by children without supervision.

IEC (International Electrotechnical Commission): This appliance is not intended for use by persons (including children) with reduced physical, sensory or mental capabilities, or lack of experience and knowledge, unless they have been given supervision or instruction concerning use of the appliance by a person responsible for their safety. Children should be supervised to ensure that they do not play with the appliance.

Safety information

The CE plate must remain legible throughout the life of the device and must never be removed.

Label	Description	Location
	CE plate	Rear end of the device
 IPx4	The Side Kitchen has an IPx4 waterproof protection when not covered.	CE plate
 IPx6	The Side Kitchen has an IPx6 waterproof protection when covered with the cover specified by Kettal (5780000600).	CE plate
	Caution	CE plate
	Read the user manual	CE plate
	Ground connection	CE plate
	Waste Electrical and Electronic Equipment Directive (WEEE)	CE plate

Presentation

This manual makes a walkthrough around the Side Kitchen components and their basic how-to-use.

It also contains the essential maintenance tasks to keep the Side Kitchen clean, tidy and good as new.


All of this always keeping in mind the safety of the user, those around it and the Side Kitchen itself.

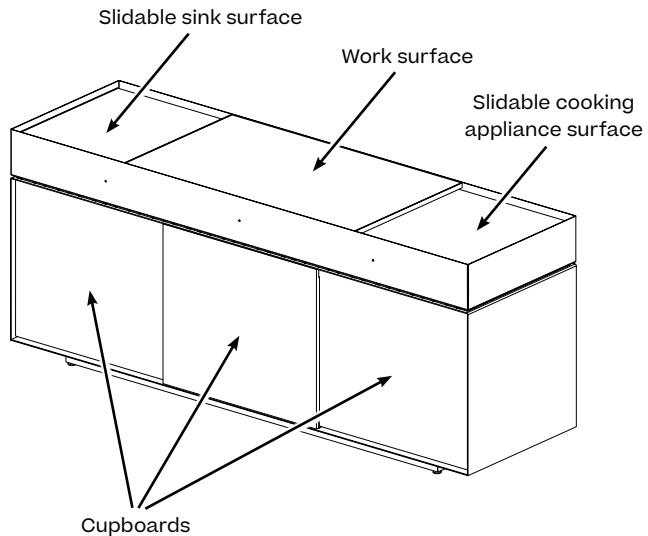
Surfaces

The design of the Side Kitchen is meant to hide all the operative components behind slick surfaces.

The top surfaces are made of "Ceppo di Gré" stone effect porcelain stoneware to ease their cleaning and increase their durability.

The cupboard doors are made of aluminium sheets or teak wood.

	<p>Risk of hand crushing. Be very careful when handling the slidable surfaces.</p>
---	--

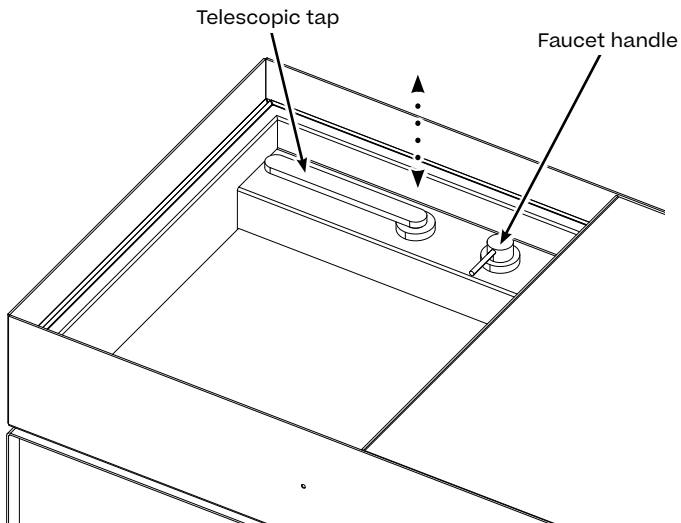
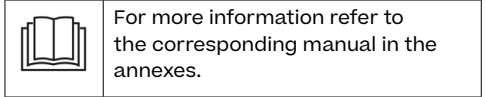


Sink

The sink is located beneath the left slidable surface, and it has a telescopic tap.

To deploy the telescopic tap just pull it up. Once all the dishes are clean, pull it back down and slide the surface to hide the sink.

The water tank has a capacity of 10 litres.



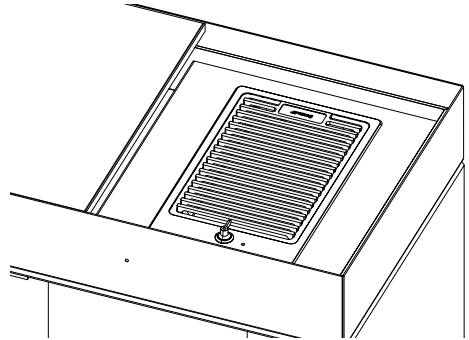
Cooking appliance

The cooking surface is located beneath the right slidable surface, and depending on the model, may be one of the following:

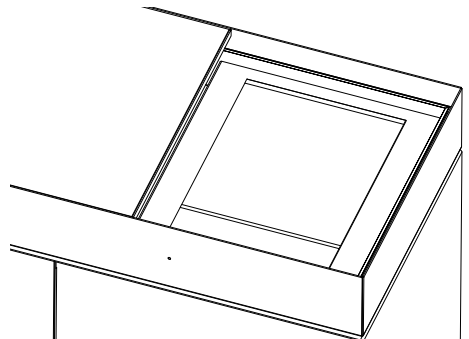


Risk of burns.
Be very careful, the surface of the cooking appliance is hot during and after its use.

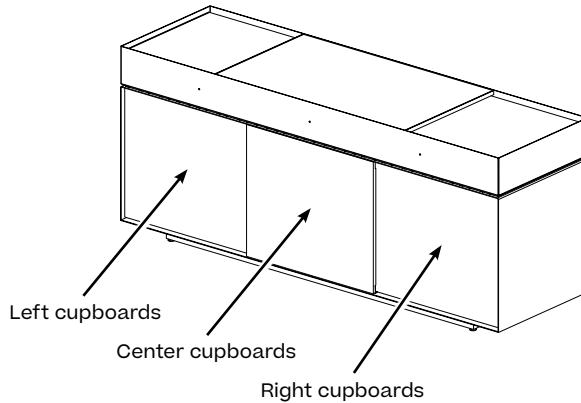
The grill has an electric resistance with nine levels of heating, with a maximum of 1.8 kW. The surface is made of cast iron.



The induction hob has two heating zones with a maximum power of 3.7 kW operated by a capacitive control. Its surface is made of ceramic glass.

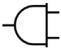



Cupboards



Reference	Cupboard		
	Left	Center	Right
57800020I0	Storage with shelves	Prepared for the installation of an appliance	Storage with shelves
57800020B0	Storage with shelves	Prepared for the installation of an appliance	Storage
57800020B2	Storage with shelves	Prepared for the installation of an appliance	Prepared for the installation of an appliance

Compatible appliances*		
Appliance	Manufacturer	Reference
Refrigerator	LIEBHERR	FKv 503
Wine cellar	LIEBHERR	WKes 653 Grand Cru

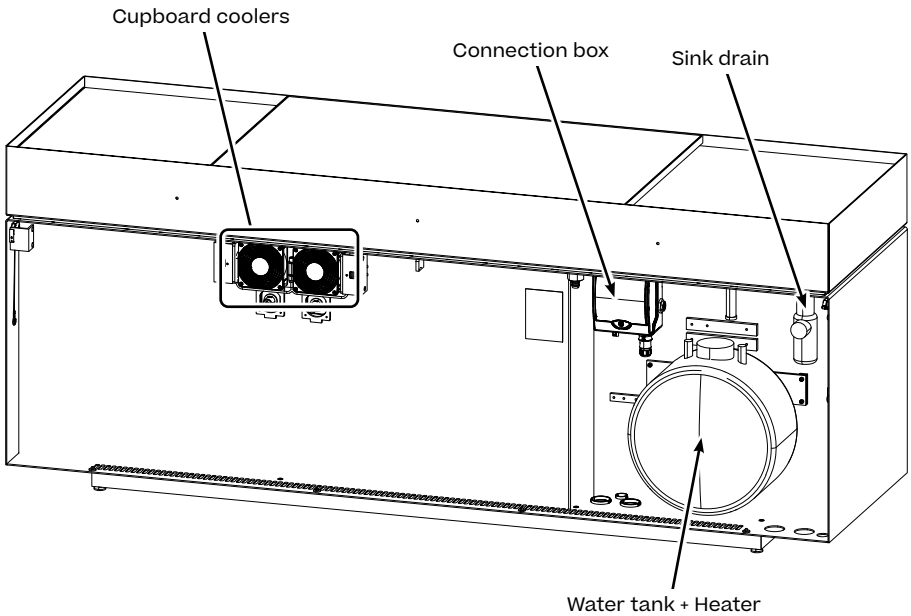
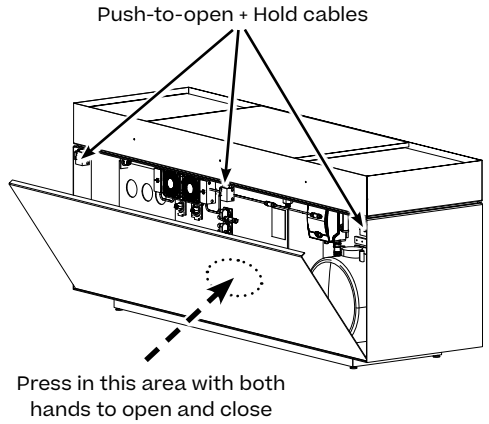
	The power outlets supply 220-240 V, max. 2 A.		* This appliances are only compatible with 50 Hz power supply.
--	---	---	--

Rear end





Behind the rear cover there are all the operative elements of the Side Kitchen.

The rear end cover has a push-to-open system and two cables (one on each side) to hold it once open.

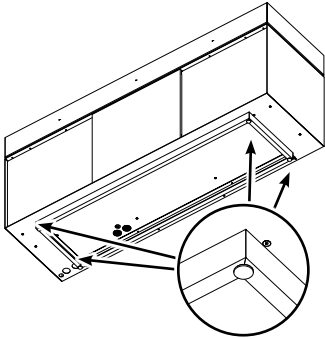
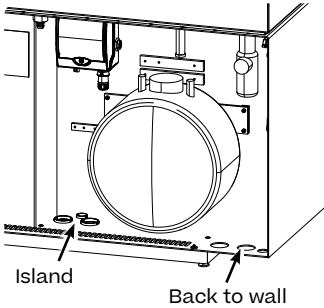
The cupboard coolers are operated by a thermostat to start operating at 45 °C.



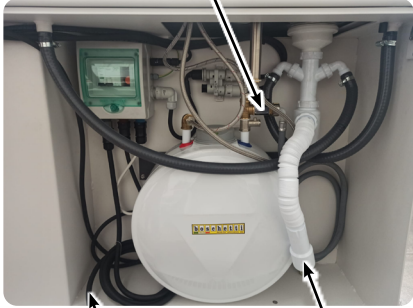
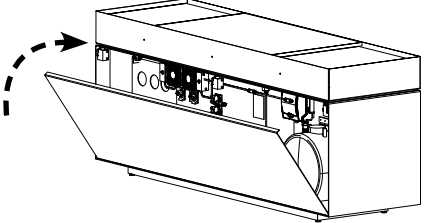
Installation

	<p>The packaging contents the following elements:</p> <ul style="list-style-type: none"> • Side Kitchen • 25+ A electrical connector (MP50067670141) • 25+ A connector box with cover (MP50065250150) • Aerial angled male connector for appliances (MP50067670144) <ul style="list-style-type: none"> • 1 unit for 57800020I0 • 1 unit for 57800020B0 • 2 units for 57800020B2 • Optional waterproof cover (5780000600)
	<ul style="list-style-type: none"> • The installation requires an electrical connection, a water inlet and a water outlet. The client must provide these services. • Electrical installation requirements: <ul style="list-style-type: none"> • 220-240 V • 50/60 Hz • Remove all protective plastics before using the device.
	<ul style="list-style-type: none"> • Always comply with the regulations relative electrical installations of the country where the Side Kitchen is installed. • A disconnection system must be incorporated into the fixed wiring. • For the electrical connection, it is necessary to incorporate a disconnecting switch that ensures the omnipolar cut-off, directly connected to the power supply terminals. It must have a contact separation in all its poles, providing total disconnection under category III overvoltage conditions in a zone that complies with the safety regulations of the site. • The means for disconnection must be incorporated into the fixed wiring in accordance with the country's wiring rules and current regulations. • The appliances must be powered via a residual current device (RCD) with a rated residual operating current not exceeding 30 mA.
	<p>The Side Kitchen can be placed outdoors, but preferably in covered environments.</p>

Installation


Step	Description	
1	Unpack the Side Kitchen and check there are no missing elements.	
2	<p>Install the 25+ A wall socket where the Side Kitchen is going to be placed. Refer to the manufacturer instructions in the Annexes.</p> <p>The section of the wire must ensure the power supply specified in the CE plate.</p> <p>It is possible to install other wall socket, but it must comply with the specifications given in the CE plate. In this case, Kettal is not responsible for any damage to the equipment produced by this modification.</p>	
3	Place the Side Kitchen on its location. If it is going to be installed next to a wall, leave a space between the rear end and the wall to make the electrical and plumbing connections.	
4	Level the Side Kitchen using the adjustable legs. Keep a slight slope to the sink area to ease the water drainage.	
5	Pass the electrical and plumbing connections through the corresponding holes according to the type of installation.	

Installation

Step	Description	
6	Connect the plumbing connections. <ul style="list-style-type: none"> • The water inlet has a 3/4" thread. • The water outlet has a 40 mm diameter. 	 <p data-bbox="766 384 874 405">Water inlet</p> <p data-bbox="620 794 852 815">Electrical power supply</p> <p data-bbox="897 794 1023 815">Water outlet</p>
7	Open the water inlet to fill the water tank. ⚠ Do not connect the electrical connection while the water tank is empty.	
8	Connect the electrical power supply.	
9	Check the correct operation of the water system and the appliances (if installed).	
10	Close the rear end cover.	
11	Place the Side Kitchen on its final location.	

Maintenance

The following table contains the necessary maintenance tasks to be performed on the Side Kitchen as well as their corresponding frequency.

	<ul style="list-style-type: none"> Do not use steel scourers or spatulas for cleaning. Use non abrasive products and utensils to avoid damages. Do not use a pressure washer for cleaning.
---	--

Frequency	Element	Task	Description
After each use	Surfaces	Clean	Clean the vertical and horizontal surfaces using a soft cloth and neutral cleaner.
After each use	Cooking surface	Clean	Clean the cooking surface according to the manufacturer specifications. Refer to Annexes.
Every three months	Teak surfaces	Treat	Apply teak sealant.
Corrective	Rear coolers	Clean	Open the rear end of the Side Kitchen and clean the coolers using a vacuum cleaner.
Corrective	Sink drain	Clean	Remove the sink plate by pulling it up and remove the dirt from the drain. Once clean, put back the sink plate.
Corrective	Rear sink drain	Unblock	Open the rear end of the Side Kitchen to access the sink drain. Unscrew the bottom of the drain and clean the filter. Once clean, reassemble.
Corrective	Teak surfaces	Restore	Sand all over and apply teak sealant.
-	Paint	Maintenance	Refer to Annexes
-	Appliances	Maintenance	Refer to Annexes

Maintenance

KETTAL GROUP presents a new range of maintenance products that have been exclusively developed for the protection and care of your collections. Unlike many other maintenance products, the maintenance products in the KETTAL GROUP range are ECOSAFE: These 100% biodegradable products contain neither toxic nor corrosive components and are completely environmentally friendly.

Range of five KETTAL GROUP maintenance products:

- Teak protector: Oil for direct application to weatherproof teak.
- Teak cleaner: The cleaner's formula both cleans and brightens teak and removes stains, grease, dust and other residues that build up over time
- Fabric protector: The formula covers the fabric and makes it waterproof and resistant to environmental dirt.
- Universal cleaner: This product's universal formula cleans aluminium, resin, lacquered resin, Textilene and plaited synthetic fibre.
- Paint repairer brush: Paint brush for repairing possible scratches on aluminium tubing; available in the main colours in the KETTAL GROUP colour range. ubing; available in the main colours in the KETTAL GROUP colour range.

Revision: 0

Date: October 2020

The copying, use distribution or disclosure of this/these confidential document/s is strictly forbidden without prior written consent. Any breach will subject the infringing party to remedies. All right reserved in case of the grant of a patent or registration of a utility model or design.

Kettal Barcelona
Aragón, 316
08009 Barcelona, Spain
T. (34) 93 487 90 90
F. (34) 93 487 90 66

kettal