

Dining table Ø180  
by Doshi Levien

**kettal**

# Dining table

## Ø180

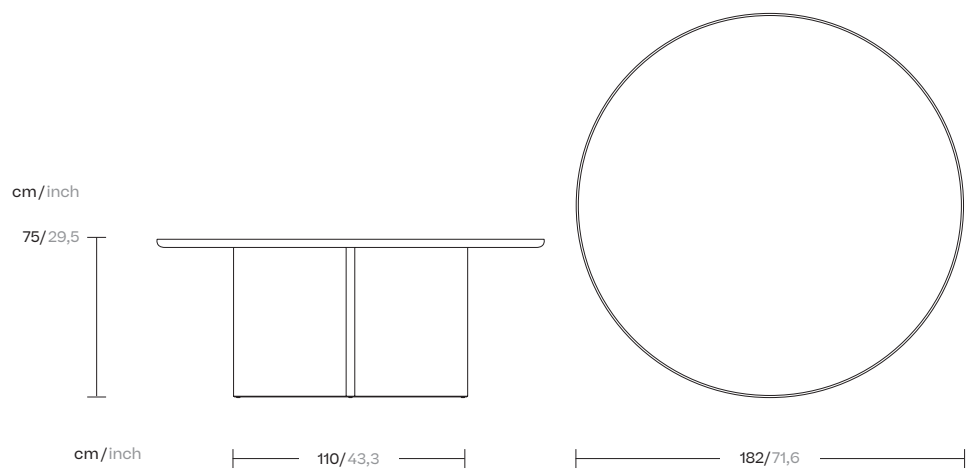
Designer  
Doshi Levien

Collection  
Cala

Reference  
KS2701500

1/2

Functionality is a key aspect of the Cala Dining Table's design. Its generous tabletop provides ample space for dining, allowing individuals to gather comfortably and enjoy meals together. The table's height and dimensions are carefully considered to promote a comfortable dining experience for users. Its versatile design enables it to seamlessly complement various interior styles, ranging from contemporary to eclectic. Its clean lines and choice of materials make it a striking centerpiece that enhances the overall atmosphere of any dining area.



kettal

# Dining table

## Ø180

Designer  
Doshi Levien

Collection  
Cala

Reference  
KS2701500

2/2

### Aluminium Maintenance

---

Clean with non-corrosive, non-abrasive cleaners to ensure the longevity and pristine appearance of aluminium surfaces. Avoid the use of scrubs pads or pressure cleaners, as these may cause damage.

### Teak Maintenance

---

We recommend treating the wood with sealer every three months, or more frequently in the case of hotel and catering establishments. To restore the teak to its original appearance, sand the entire surface and apply the sealer.

### Marble Maintenance

---

Clean only with a soft cloth, warm water and pH neutral detergent. Do not use: acids, ammonia, abrasive powders, window cleaners and so on. Any substance with an acid pH will damage marble: lemon juice, wine, etc. Marble is treated with a waterproof sealant to protect it from damp and stains (as long as they are cleaned immediately); however, this sealant naturally wears off over time. We recommend treating the marble with sealant every three months, more frequently in the case of hotel and catering establishments.

### Other Characteristics

---

 Adjustable legs

### Finishes

---

[Click here](#) or scan the following QR code.



kettal