

Molo, Assembly Guide

kettal

3–12 Seat and Cover Removing

13–16 Sofa Assembly

17–21 Corner Sofa Assembly

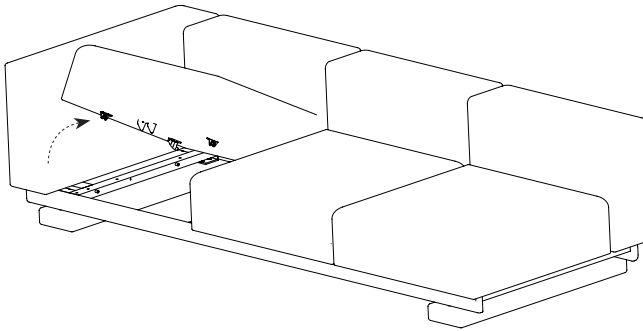
Assembly Guide,
Molo
Seat and Cover Removing

kettal

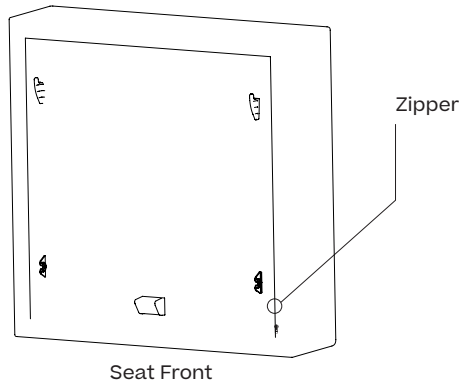
Molo Sofa

1. Remove seat cover

- 1.1 Raise the seat holding from the front part underneath, push up until it can be removed.

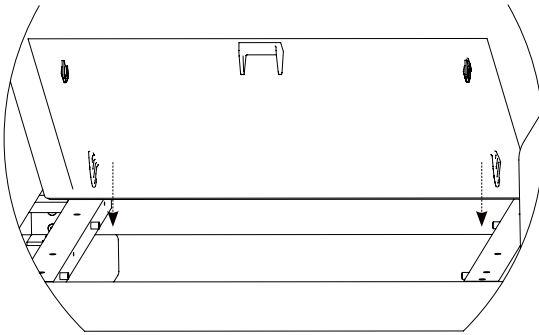
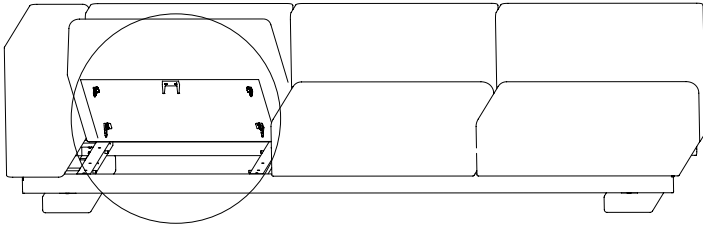


- 1.2 Once seat is removed, open the zipper and remove the cover.

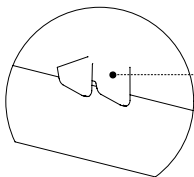


2. Seat placement

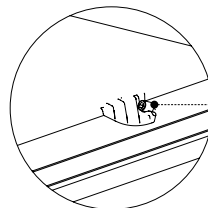
- 2.1 Put cover back on and place the seat in the right position. Always respecting front of seat.



Place fixing inside profiles to guide the seat



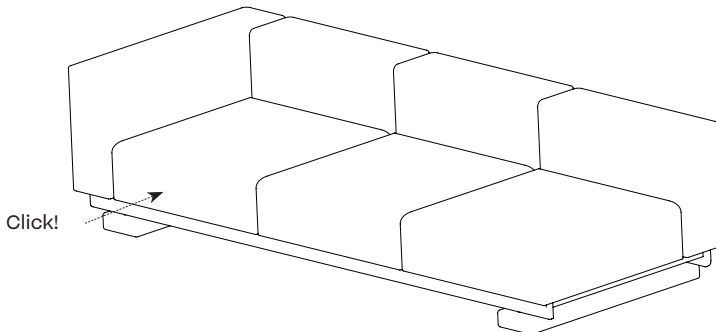
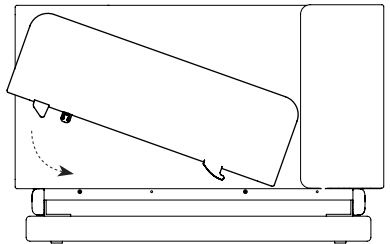
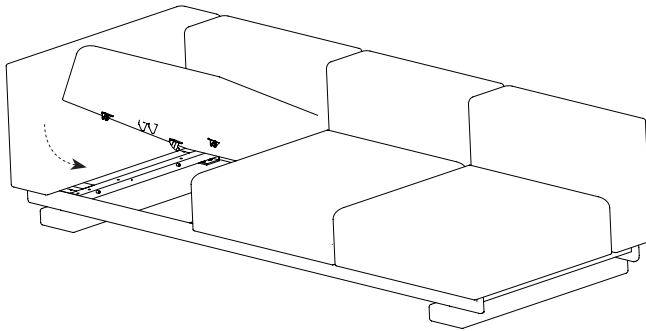
Front fixing



Rear fixing

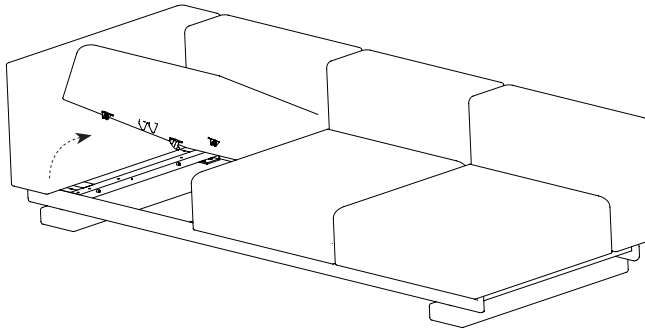
Molo Sofa

2.2 Press down and push against the backrest until it clicks.

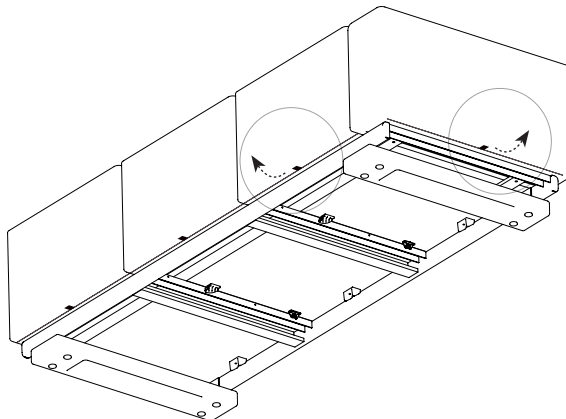


3. Remove backrest & armrest cover

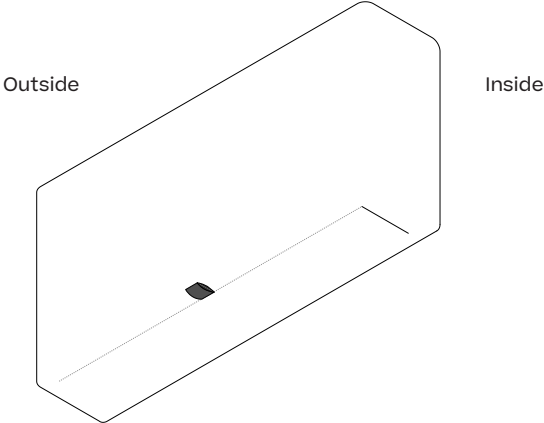
- 3.1 To remove backrest and armrest cover, first you must remove the seat.



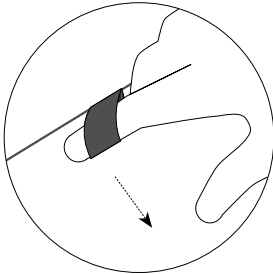
- 3.2 Pull out to remove the guide underneath. Velcro is just positioned in the outer part of sofa.



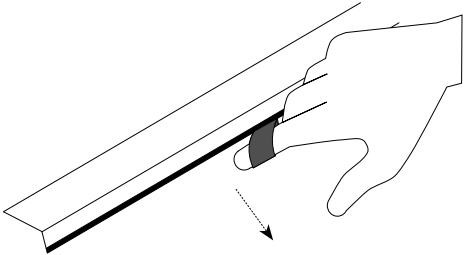
Molo Sofa



3.3

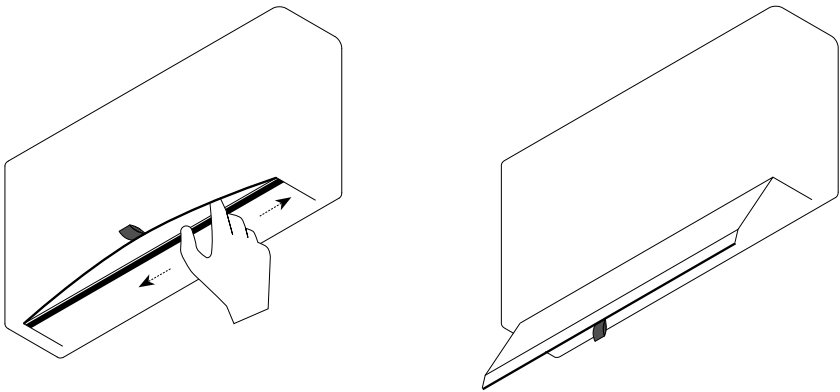


3.4



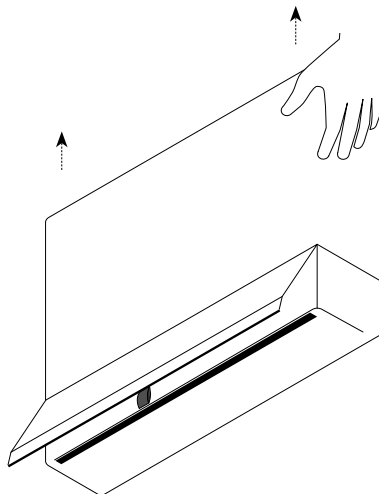
3.5

Insert your finger through the guide and slide it to both sides to finish removing it.



3.6

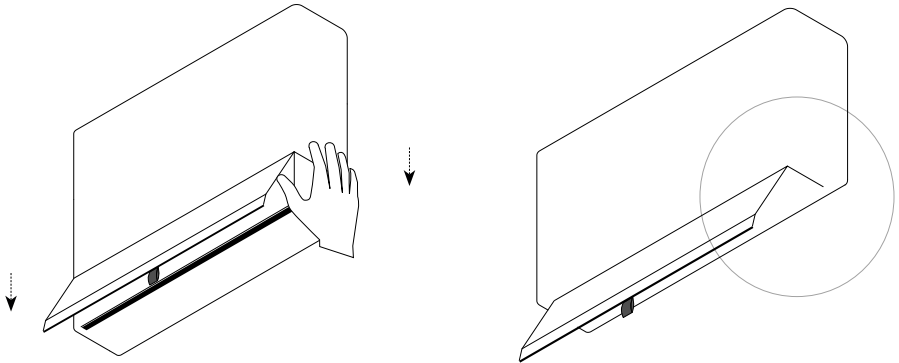
Remove cover pulling upwards.



Molo Sofa

4. Place backrest & armrest cover

4.1 Introduce the cover pulling downwards

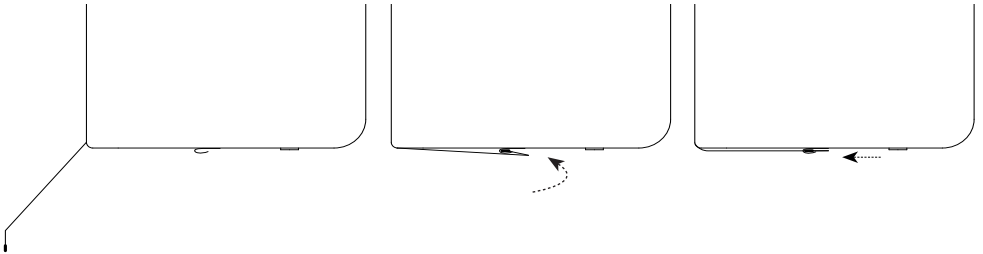


4.2 Insert the end of the sleeve into the guide

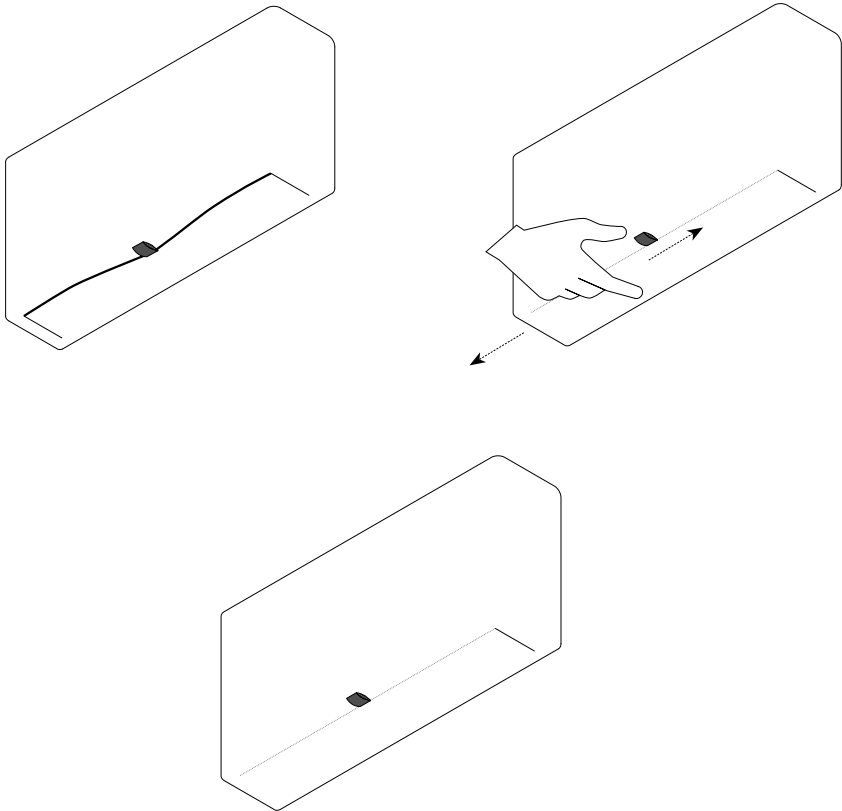
2.1

2.2

2.3

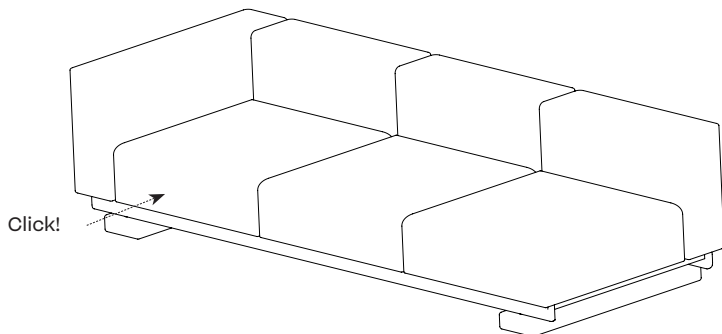
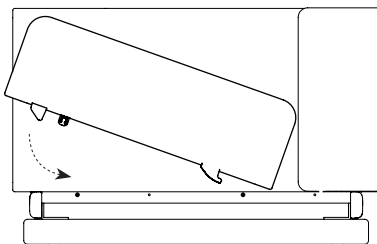
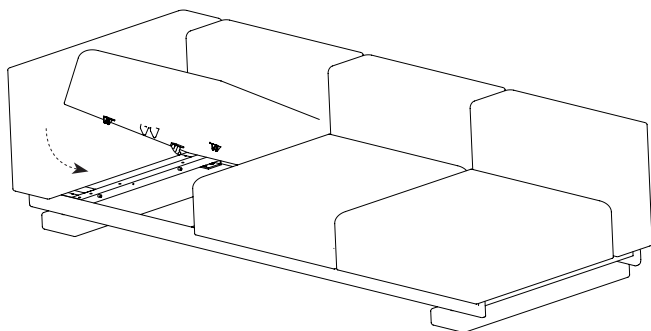


4.3 Pull the guide to flatten and fully fit.



Molo Sofa

4.4 Finally, place the seat cushion.

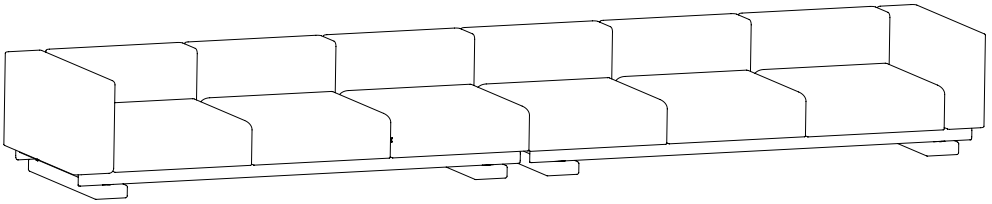


Assembly Guide,
Molo
Sofa Assembly

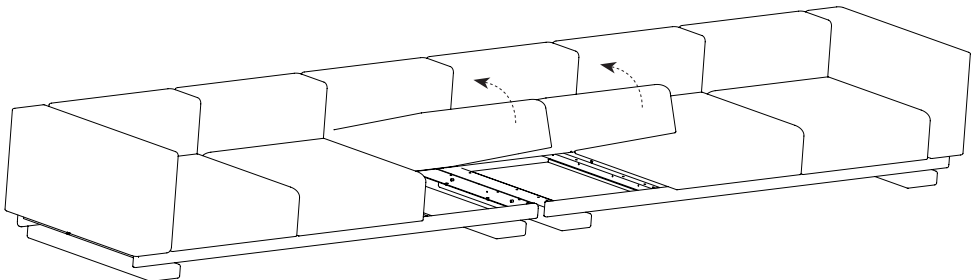
kettal

Molo Sofa

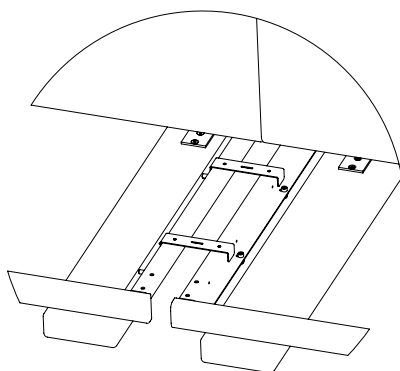
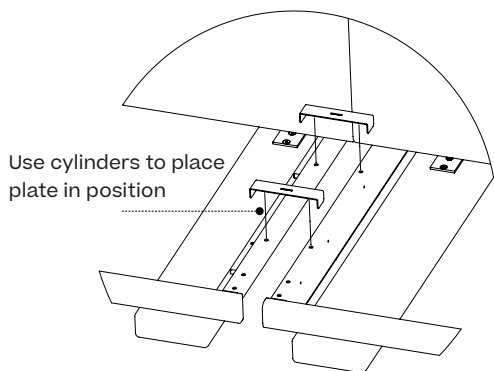
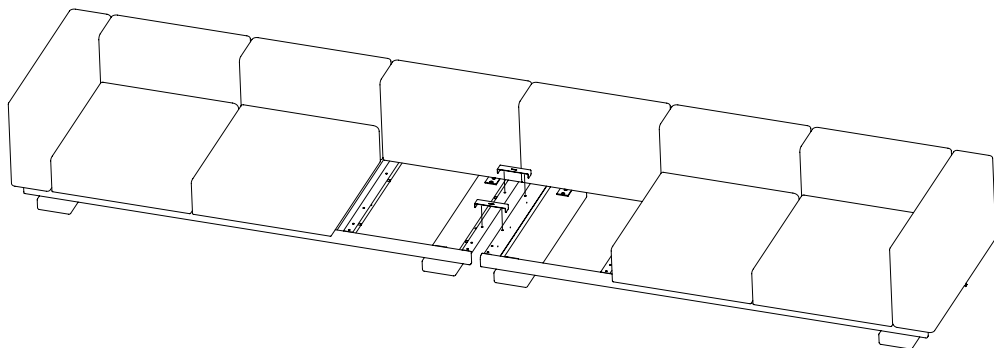
- 1 Face both sofas together.



- 2 Remove seats on endings of both sofas.

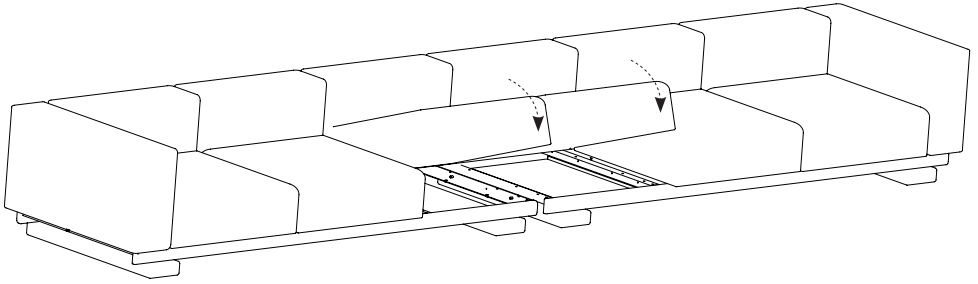


- 2 Place both union plates in position.



Molo Sofa

- 3 Finally, place the seat.

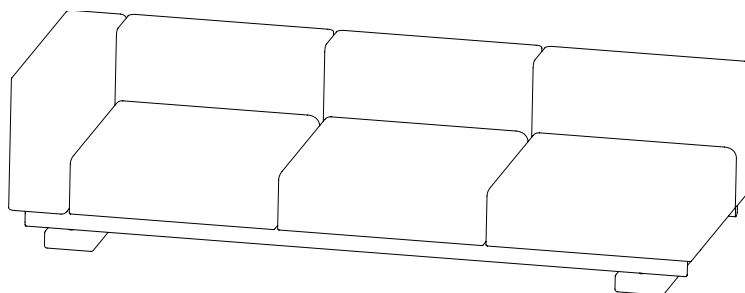


Assembly Guide,
Molo
Corner Sofa

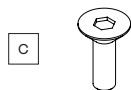
kettal

Molo Sofa

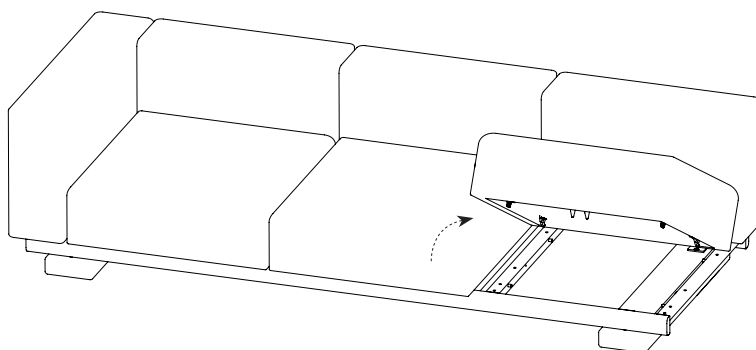
- 1 Unlash bag of union plate. Inside you will find tools to fix plate.



Tools and screws

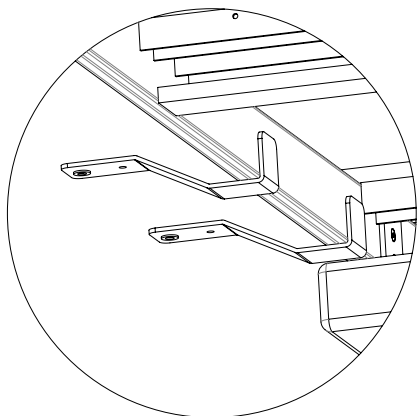
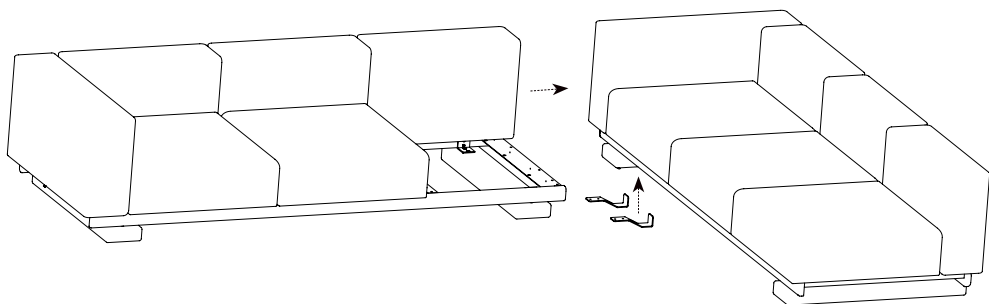


- 2 Remove seat



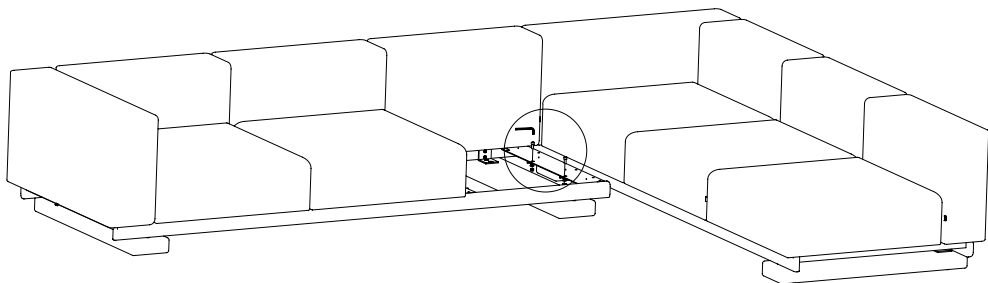
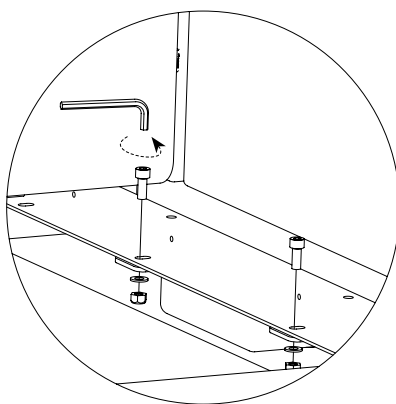
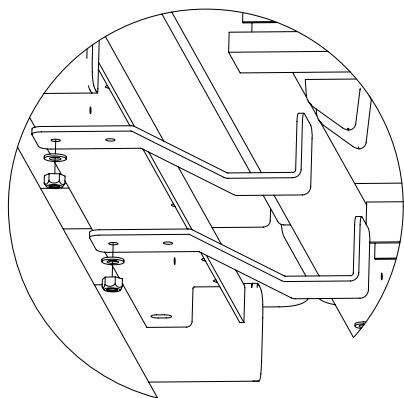
3

Join sofas and hook union plate underneath structure of second sofa and hold.

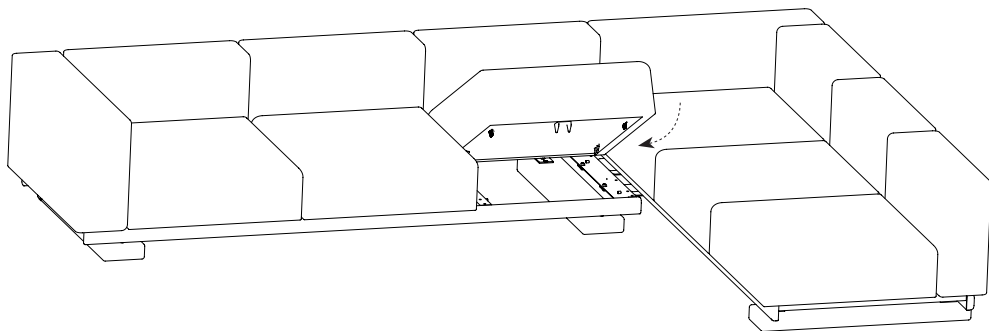


Molo Sofa

- 4 Screw in order to fix together.



5 Finally, place the seat.



kettal