

Maia

Dining armchair

by Patricia Urquiola

kettal

Dining armchair

Designer
Patricia Urquiola

Collection
Maia

Reference
KS6500200

1/2

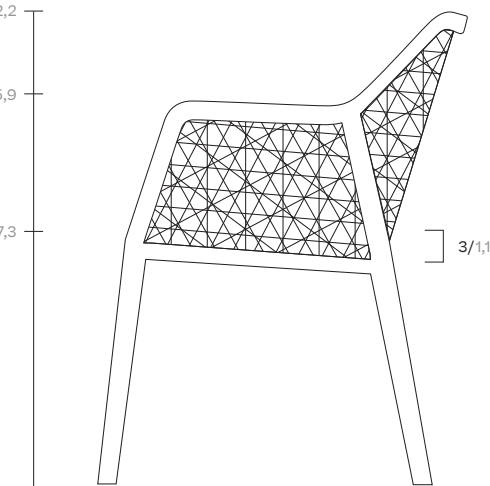
Like an architecture that is in keeping with its surroundings, the Kettal Maia, collection designed by Patricia Urquiola has a natural lightness and elegance. The design of the artisan braiding, the sturdiness of the aluminium frame and the new, Porotex and chenille fabric collection create a combination that oozes energy.

cm/inch

82/32,2

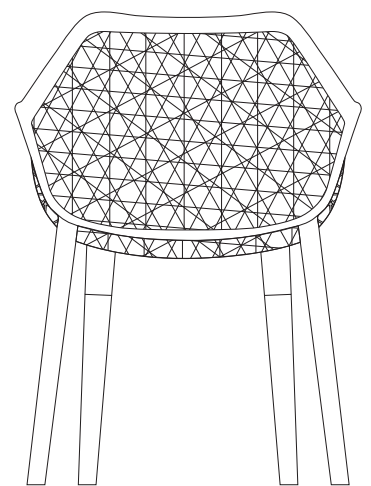
66/25,9

44/17,3



cm/inch

62/24,4



68/26,7



kettal

Dining armchair

Designer
Patricia Urquiola

Collection
Maia

Reference
KS6500200

2/2

Maintenance

Clean with mild soap using a sponge or cloth. Be gentle during the cleaning process; avoid aggressive scrubbing of the fabric. After cleaning, ensure you remove any excess soap.

For stubborn stains, use diluted household bleach. Act promptly to clean stains; the longer they linger, the more challenging they become to remove.

After cleaning, steam iron the fabric using only steam. Be cautious not to place the iron directly on the fabric, as it may cause damage.

Finishes

[Click here](#) or scan the following QR code.



kettal