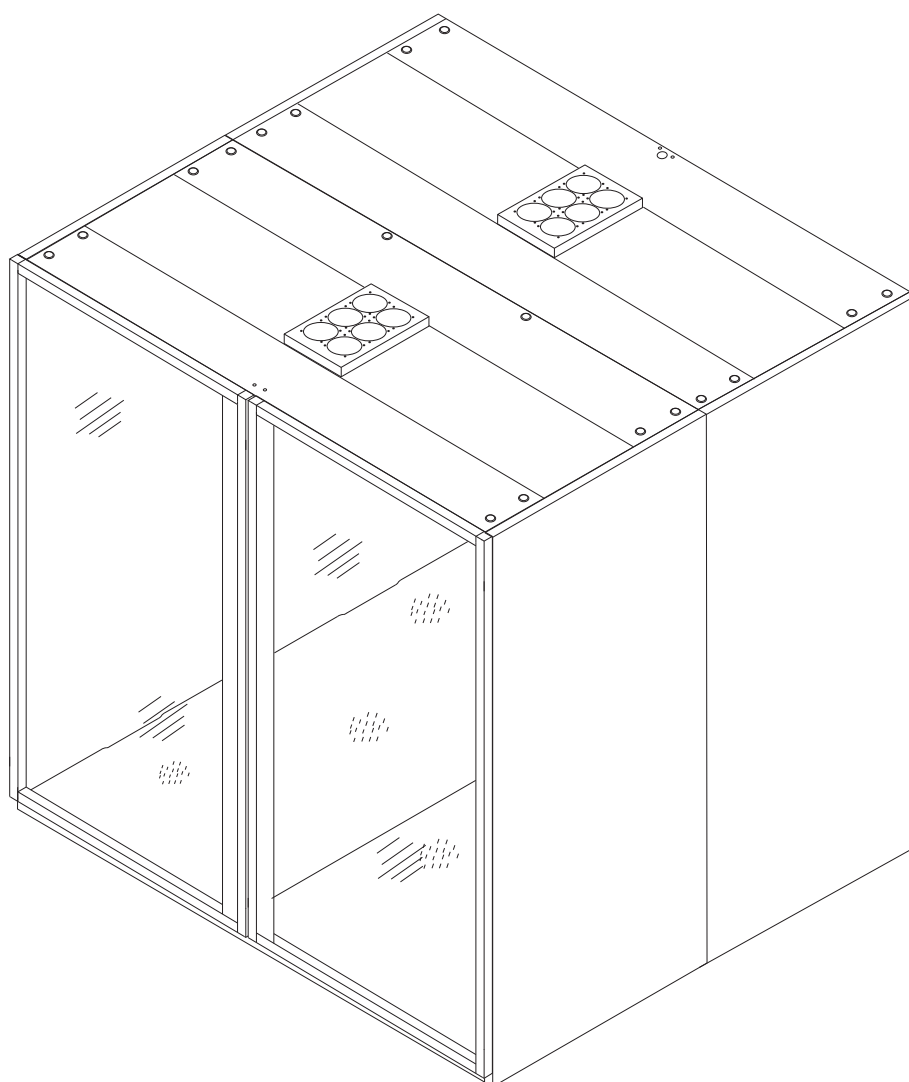


Kall XL User Manual



kettal

Index

Safety information	3
Presentation	5
Package contents	6
Screws and hardware	9
Tools	12
Assembly	13









Designer: Kettal Studio

Collection: Objects

Reference	Description

Revision record		
	Revision 0	Initial version




Safety information

	<ul style="list-style-type: none"> • This manual is part of the device. It must be kept intact and within easy reach throughout the life of the appliance. • It is necessary to carefully read this manual and all its indications before assembling the device. • These recommendations applies also to the appliance and component manuals.
	<ul style="list-style-type: none"> • Do not perform any other task than the given in this user manual. • Before getting started, make sure all parts are included, please don't forget review and count each part. • Prepare all to necessary tools and parts. • Do not force all fittings. • The assembly of the Phone Booth must be performed by qualified personnel, following the rules and regulations of the destination country. • Do not perform any modification on the device.
	<ul style="list-style-type: none"> • Two people may be needed to hold parts in place while tightening and assembling.
	<ul style="list-style-type: none"> • The installation requires an electrical connection. The client must provide these services. • The appliance has been manufactured for the following function: the booth is a private area with light components to assembly; any other use should be considered improper. • The manufacturer declines all responsibility for uses other than those indicated. • This appliance meets the requirements established by the EEC directives currently in force.
	<ul style="list-style-type: none"> • The desk surfaces and door must be operated gently to avoid injuries. • The worktop surfaces may produce shear injuries. • Pay special attention when children near the Phone Booth.
	<ul style="list-style-type: none"> • Do not supply electric energy until finish all connection.
	<ul style="list-style-type: none"> • This device complies with the European directive 2002/96/CE regarding electric and electronic equipment (Waste Electrical and Electronic Equipment - WEEE). This directive defines the rules to the collection and recycling of the devices waste valid throughout the European Union.
	<ul style="list-style-type: none"> • The illustrations given in this manual are merely informative and have no contractual validity.

Safety information

EN (European Standard): This appliance can be used by children aged from 8 years and above and persons with reduced physical, sensory or mental capabilities or lack of experience and knowledge they have been given supervision or instruction concerning use of the appliance in a safe way and understand the hazards involved. Children shall not play with the appliance. Cleaning and user maintenance shall not be made by children without supervision.

IEC (International Electrotechnical Commission): This appliance is not intended for use by persons (including children) with reduced physical, sensory, or mental capabilities, or lack of experience and knowledge, unless they have been given supervision or instruction concerning use of the appliance by a person responsible for their safety. Children should be supervised to ensure that they do not play with the appliance. The CE plate must remain legible throughout the life of the device and must never be removed.

Label	Description	Location
	CE plate	Rear end of the device
	Read the user manual	CE plate
	Ground connection	CE plate
	Waste Electrical and Electronic Equipment Directive (WEEE)	CE plate

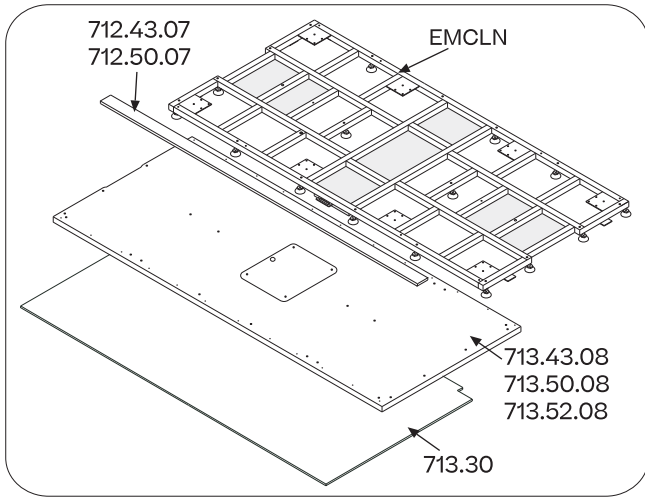
Presentation

This manual makes a walkthrough around the Phone Booth components and their basic how-to-install.

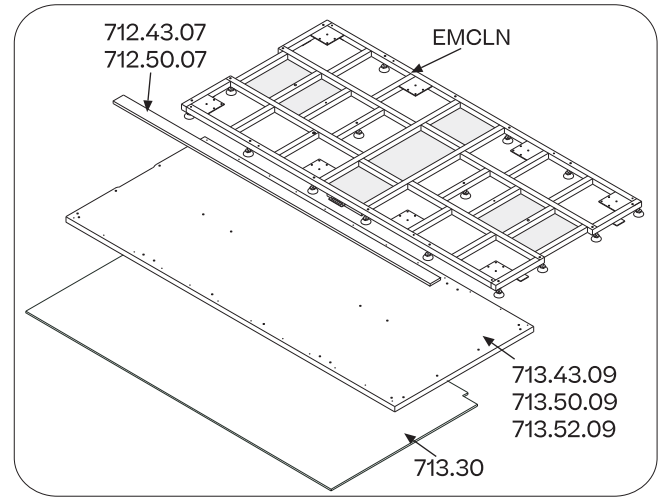
All of this always keeping in mind the safety of the user, those around it and the Phone Booth itself.

Package contents

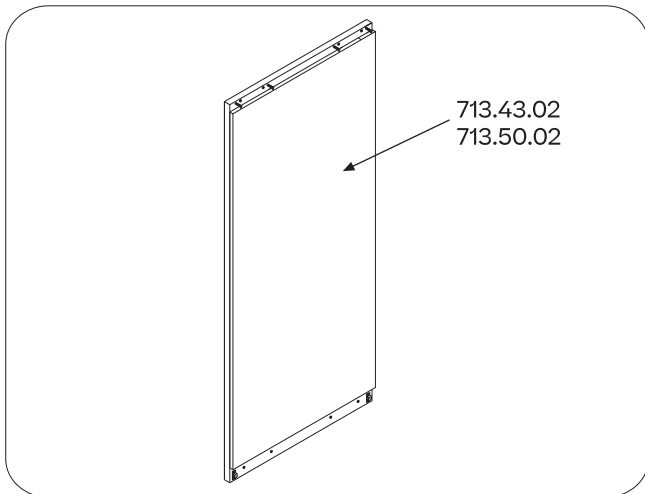
713.A.43/713.A.50



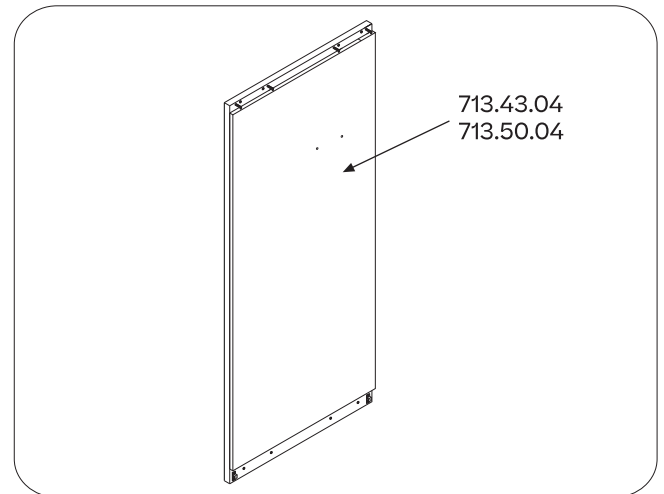
713.B.43/713.B.50



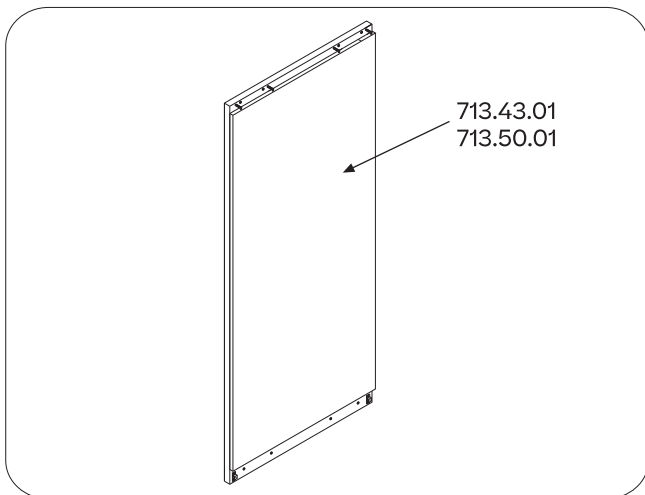
713.C.43/713.C.50



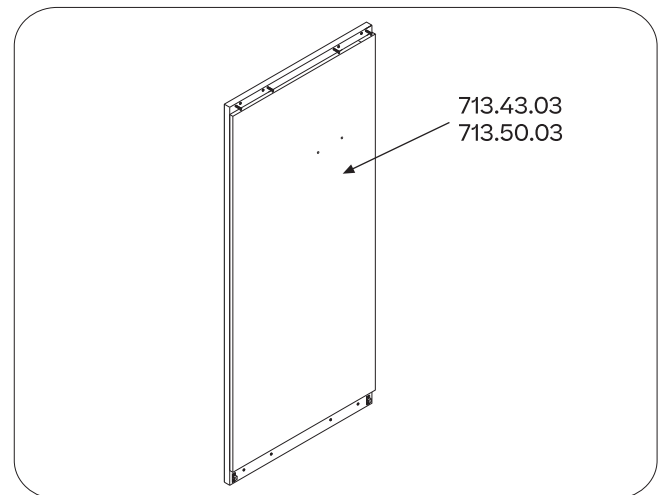
713.D.43/713.D.50



713.E.43/713.E.50

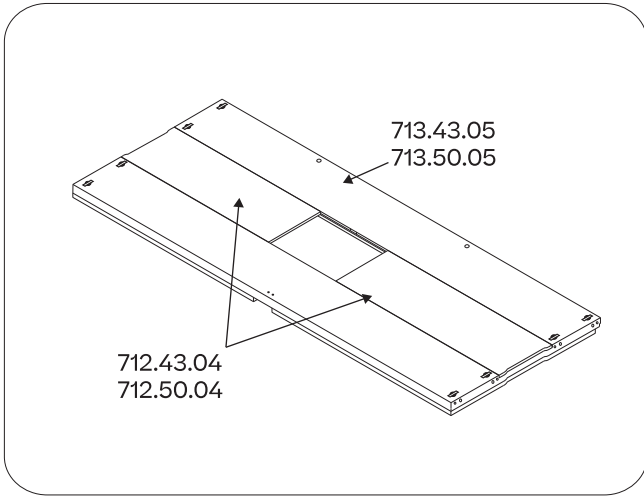


713.F.43/713.F.50

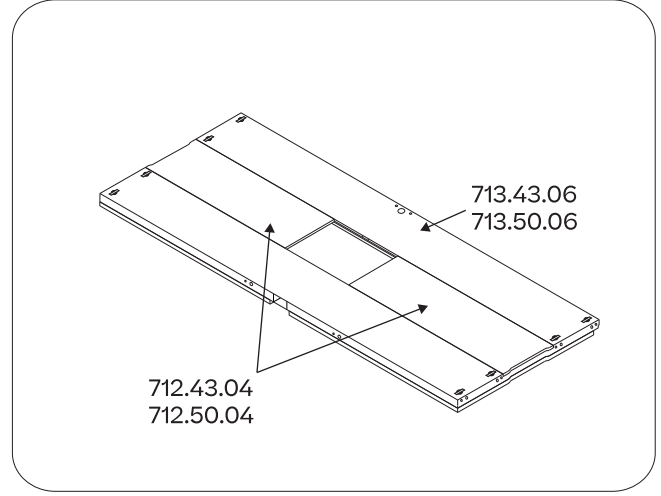


Package contents

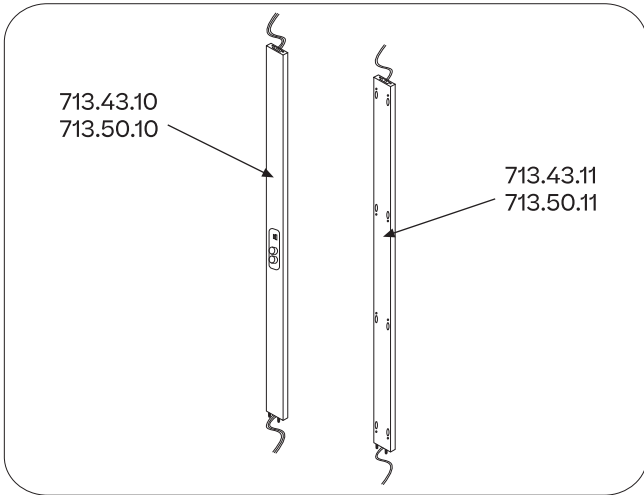
713.G.43/713.G.50



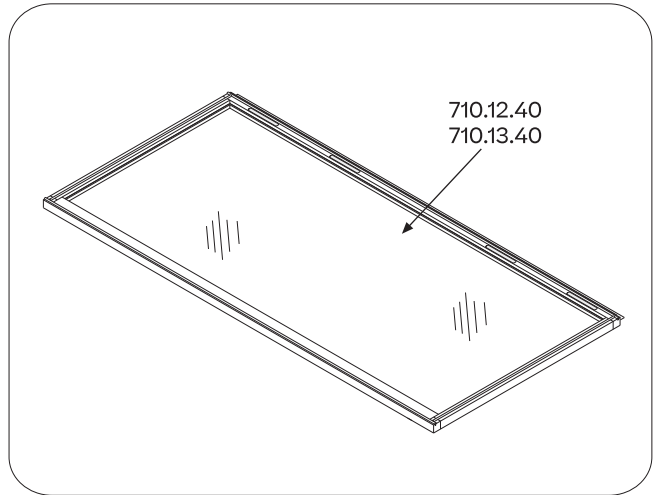
713.H.43/713.H.50



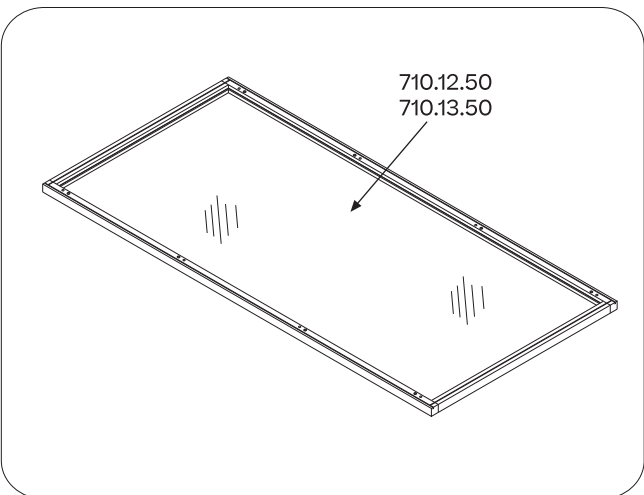
713.I.43/713.I.50



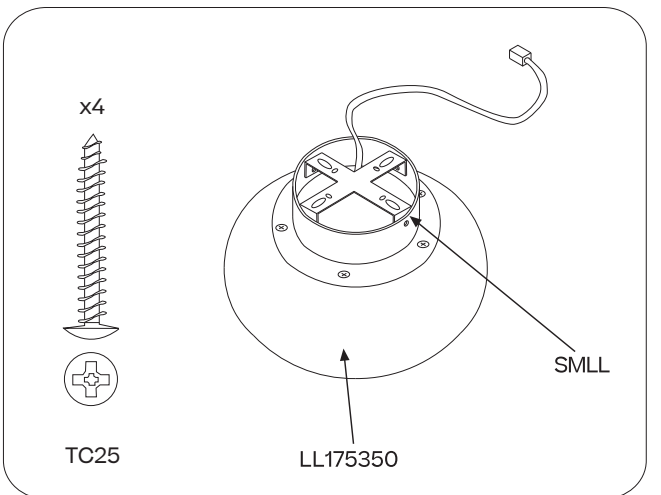
710.M.12/710.M.13 X2



710.N.12/710.N.13 X2

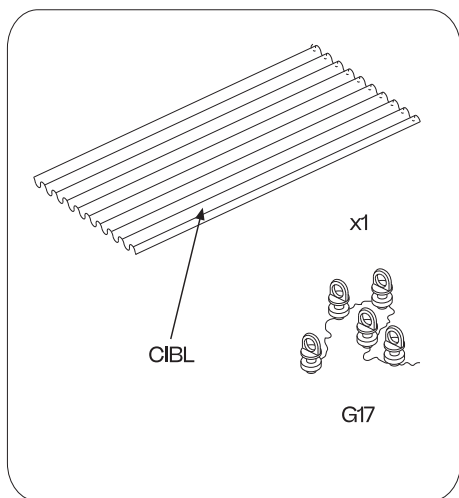


713.R

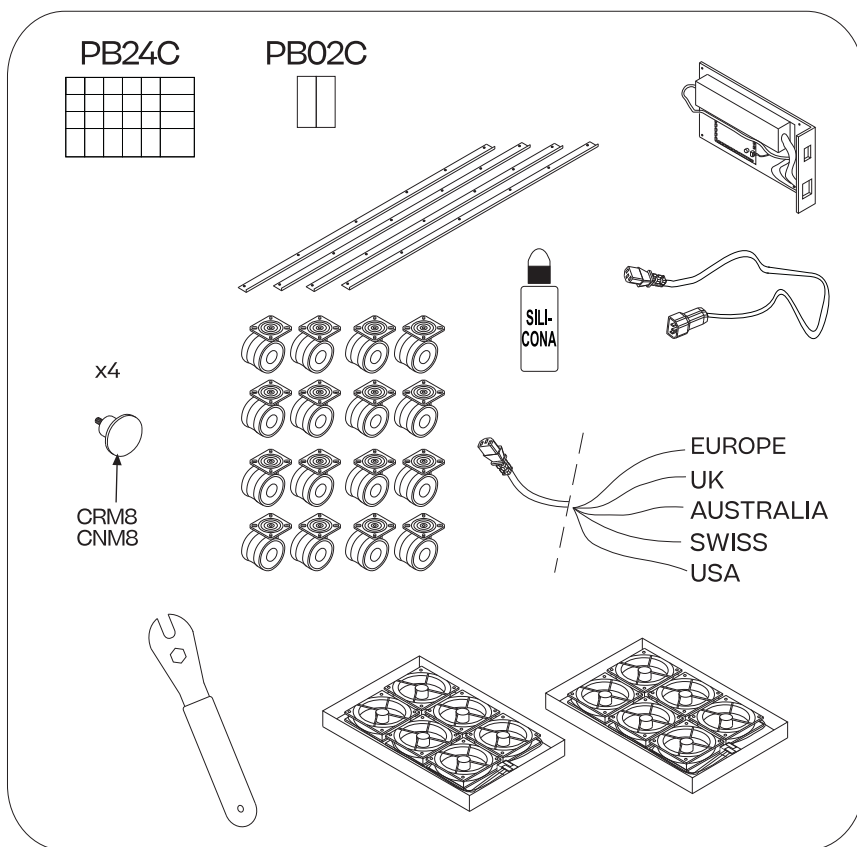


Package contents

710.S X2 (OPTIONAL)

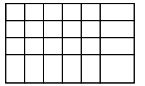


713.U.xx.xxx.x



Screws and hardware

PB24C



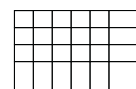
713.U (inside 713.U.xx.xxx.x)

x24+1	x2+1	x8+1	x0+1	x2	x26+1
TP2516	TP3516	TNC545	CSH	TP2516 TRB	CL1040
x8+1	x64+1	x4+1	x0+1	x16	x20+1
SN14549	TAM66	TM630A	CSM	TB535	TM840A
x8	x8	x2	x0+1	x0+1	x0+1
TBPB	TBPA	PN5418	PLTESP	TAM830	TAM6

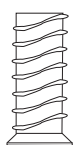
Screws and hardware

713.U (inside 713.U.xx.xxx.x)

PB24C

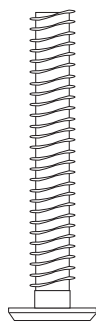


x0+1



TM824A

x16+1



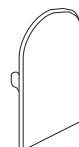
TM850A

x16



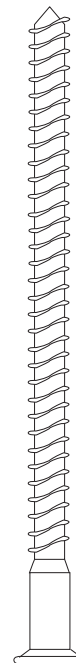
EB4218

x16



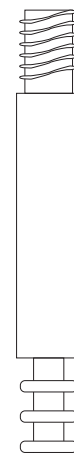
EB4221

x4+1



TA785

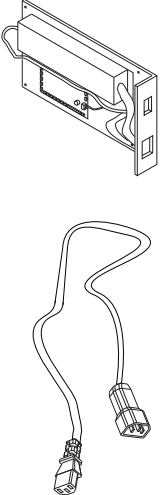
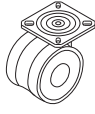
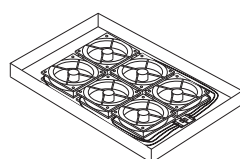
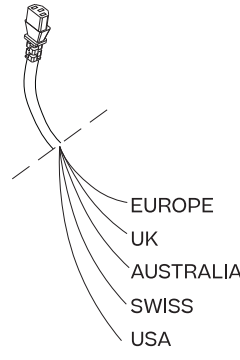


x34+1



PM855

Screws and hardware

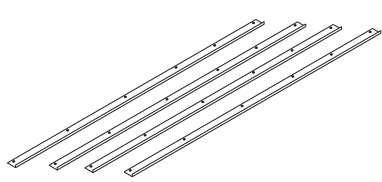

713.U (inside 713.U.xx.xxx.x)

x1	x16	x2	x1	x1	x1
					
CCEC	R75N	VEN6A		LLPF13NG	SIL60ML

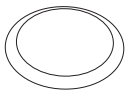

PB02C



713.U.NL /713.U.RK (inside 713.U.xx.xxx.x)

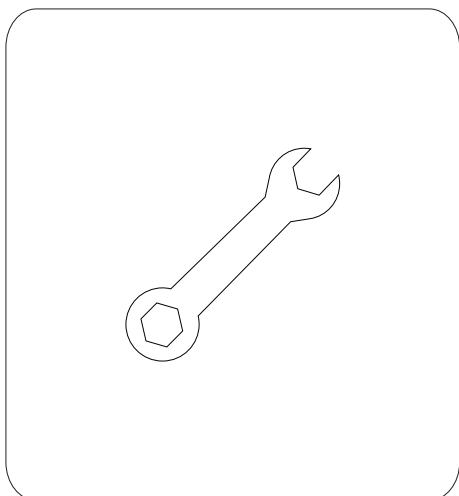
x4	x4
	
PM1002RK PM1002NL	CRM8 CNM8

713.U.U113/713.U.U211 (inside 713.U.xx.xxx.x)

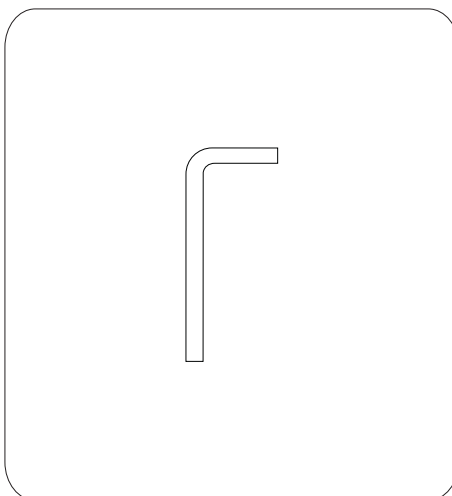
x19+1	x4+1
	
T35U113 T35U211	TA4U113 TA4U211

Tools

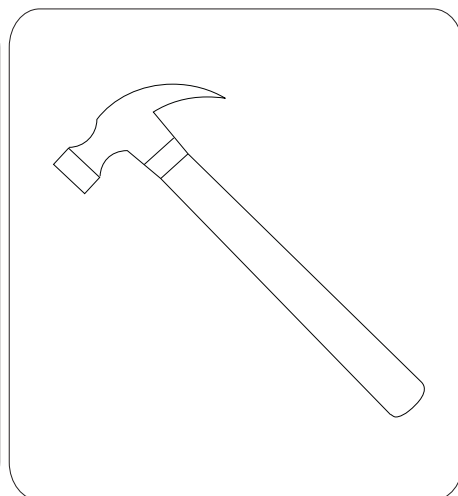
WRENCH n°19



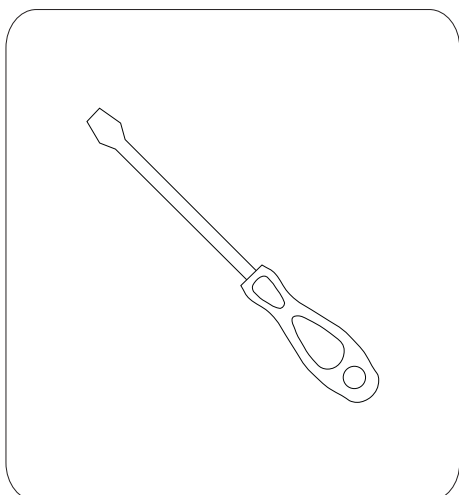
ALLEN n°4



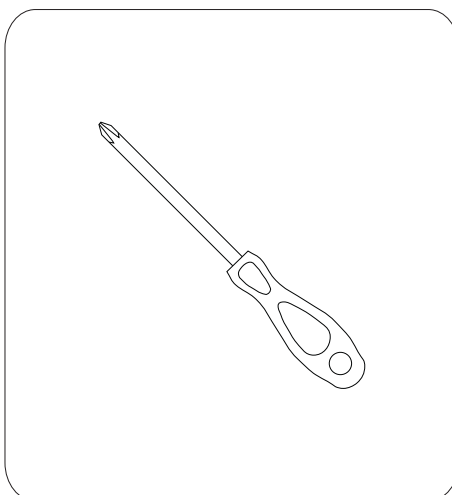
HAMMER



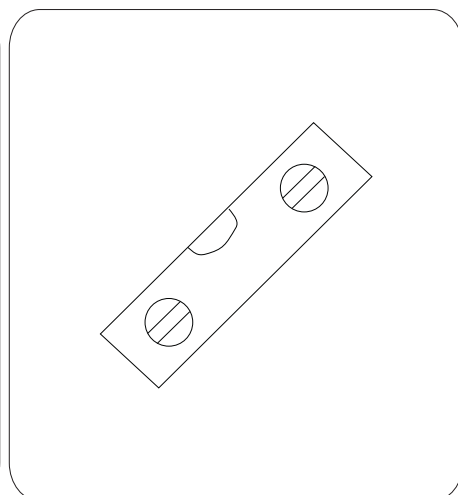
SCREWDRIVER



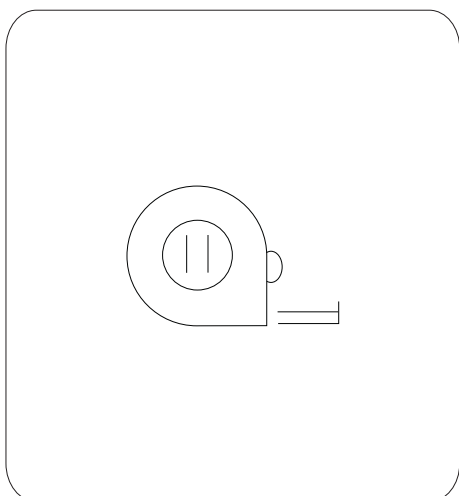
SCREWDRIVER

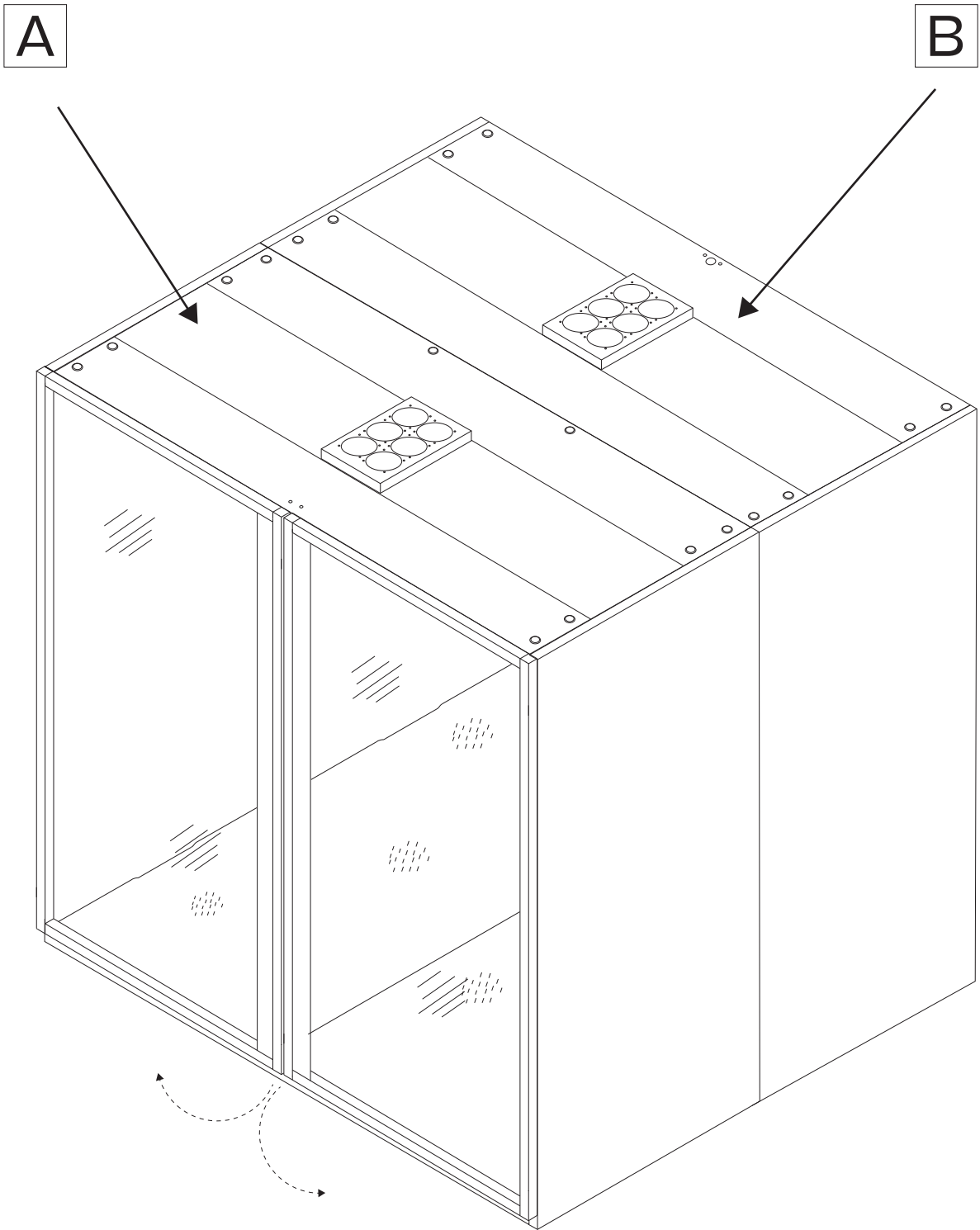


LEVEL



MEASURING TAPE

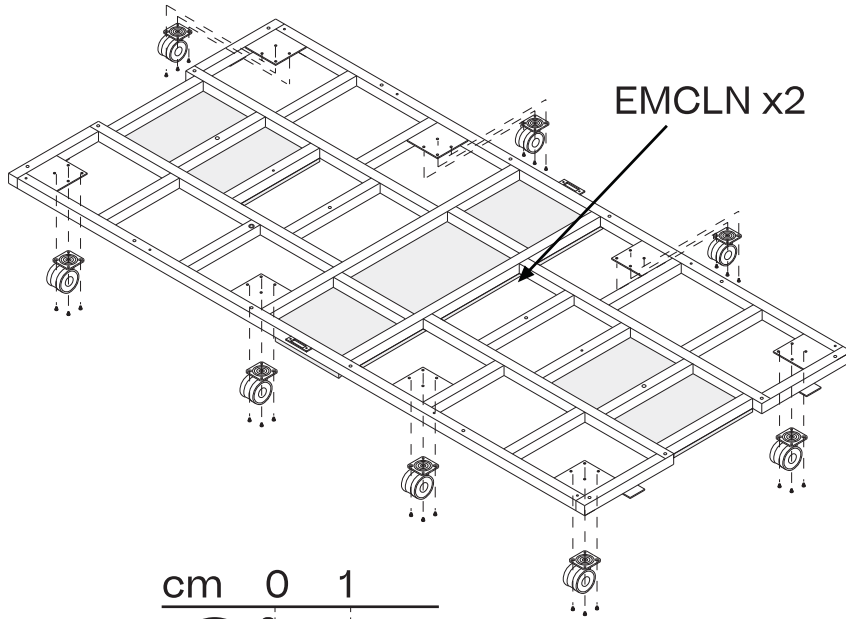
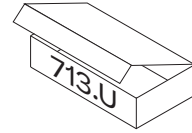
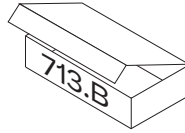
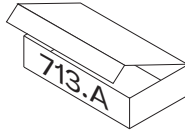




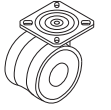
Assembly

Kettal

1

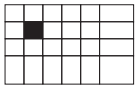


x16

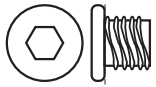


R75N

cm 0 1

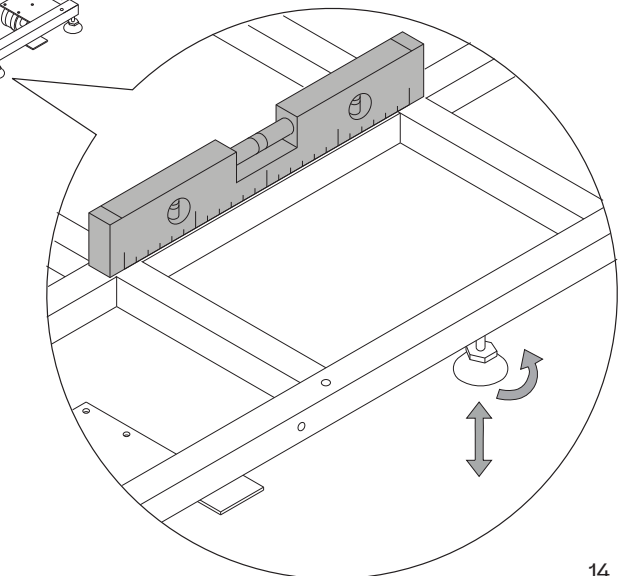
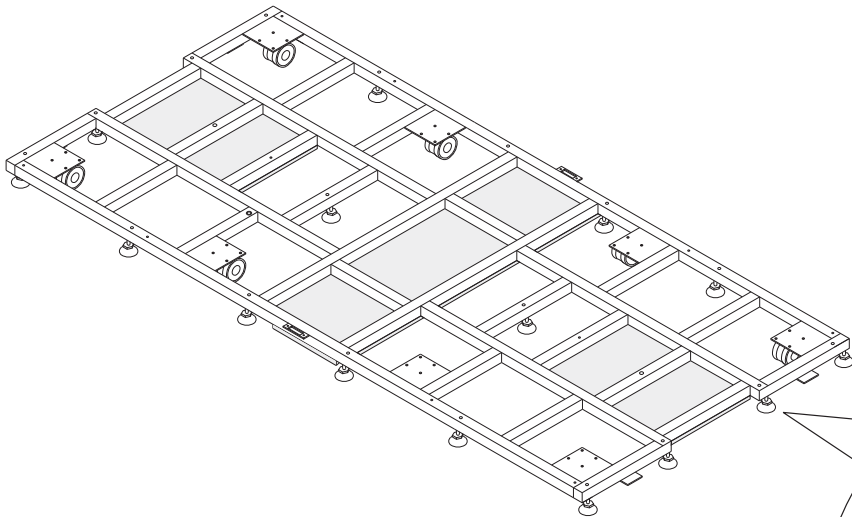


TAM66



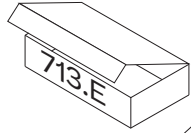
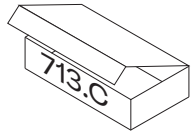
x64

2

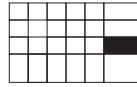


3

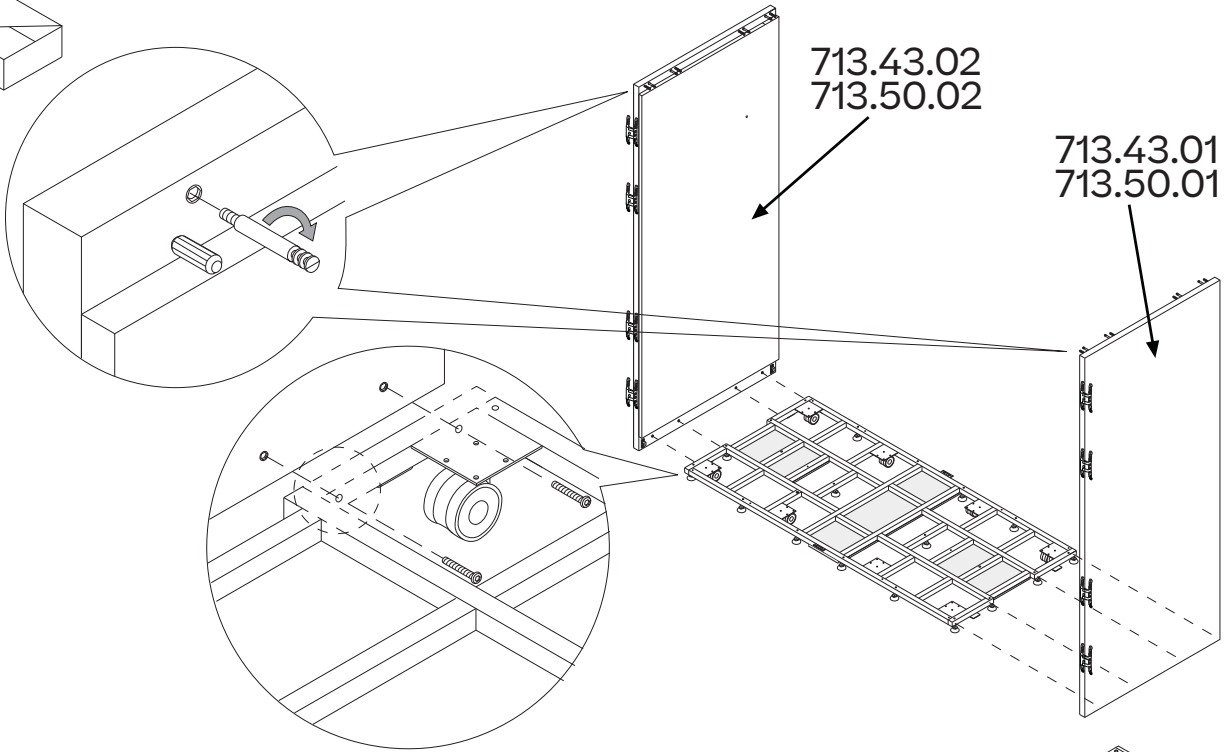
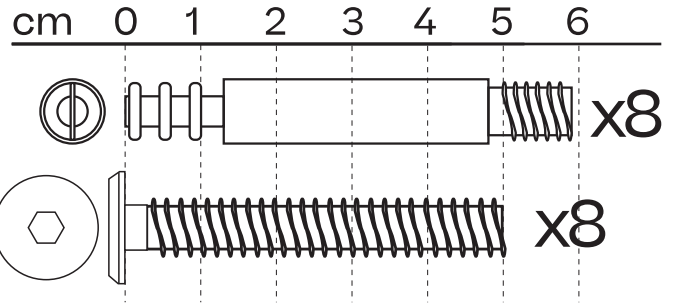
A



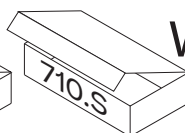
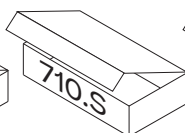
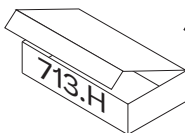
PM855



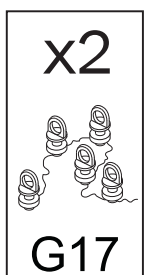
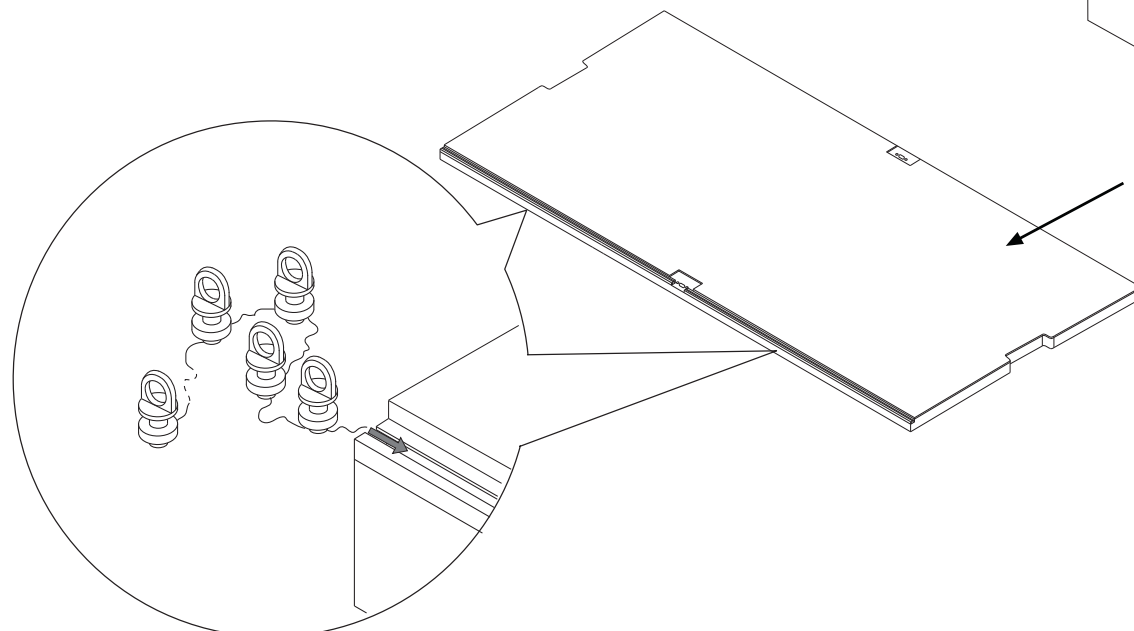
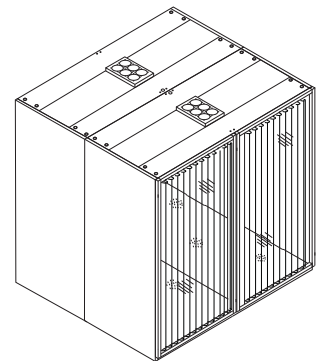
TM850A



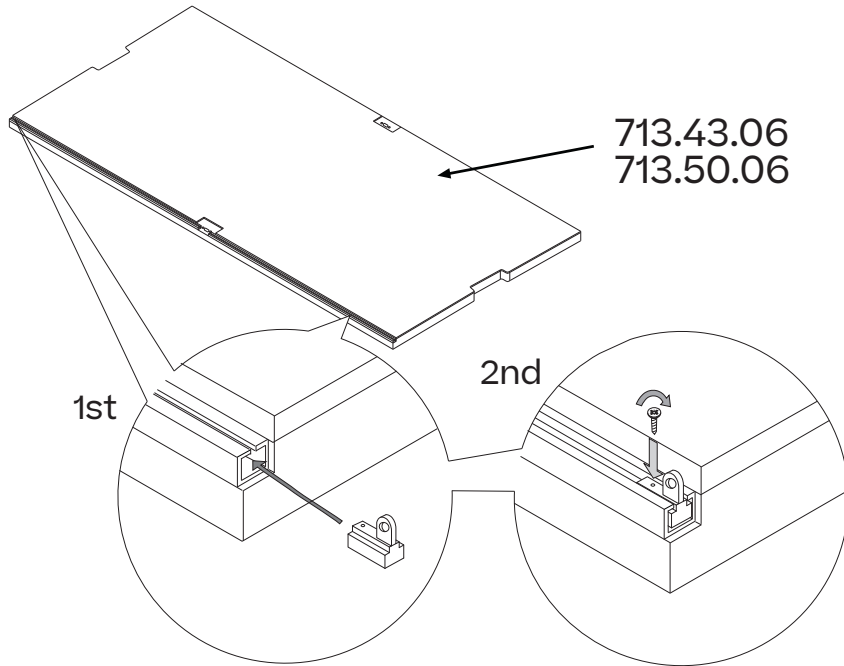
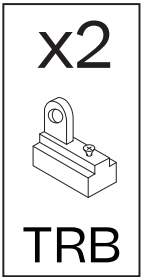
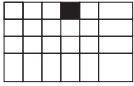
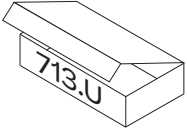
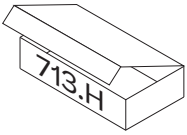
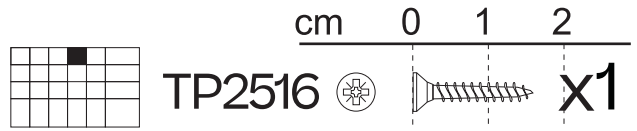
4



WITH CURTAIN

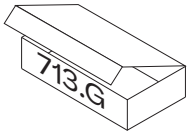


5



6

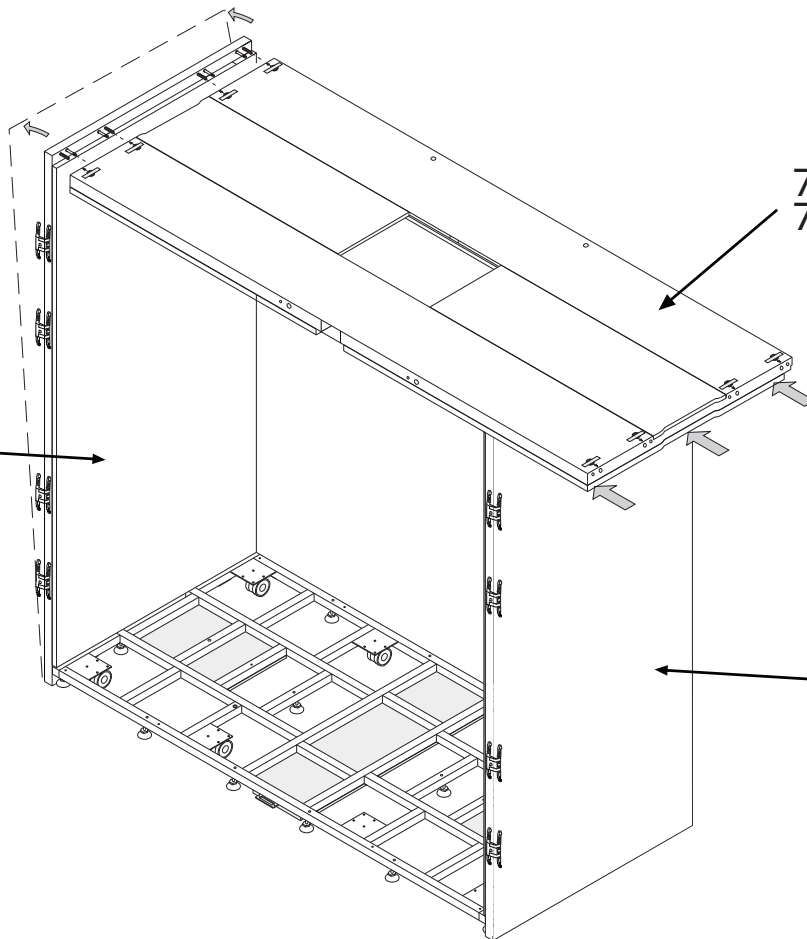
A



713.43.02
713.50.02

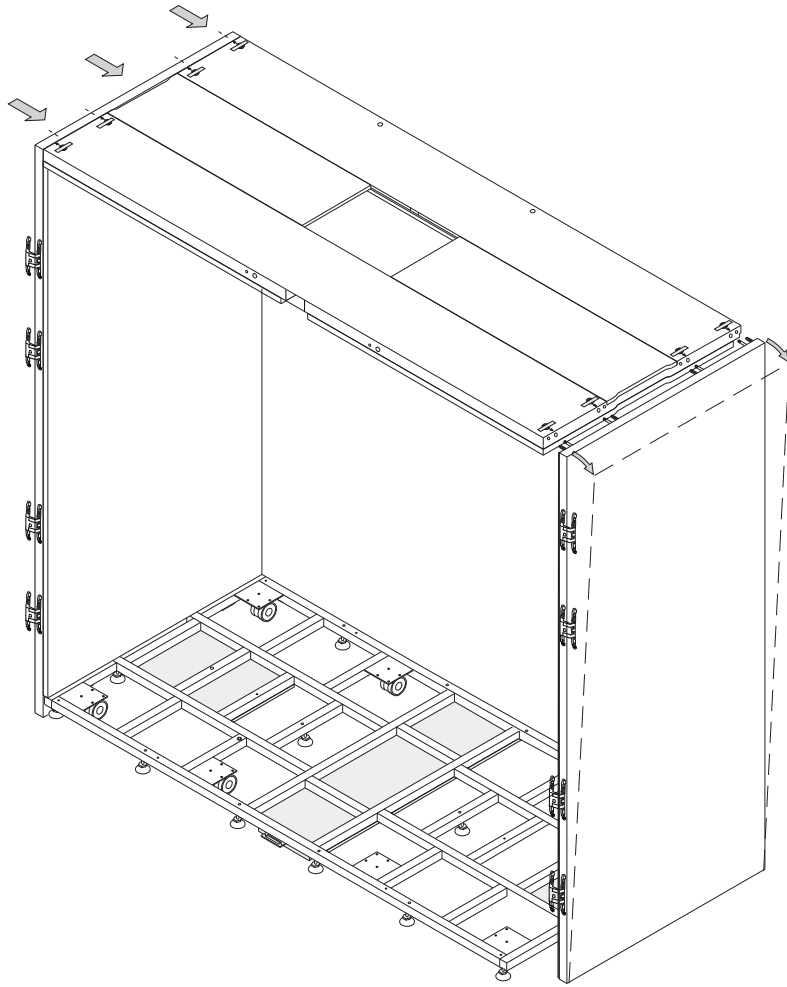
713.43.05
713.50.05

713.43.01
713.50.01



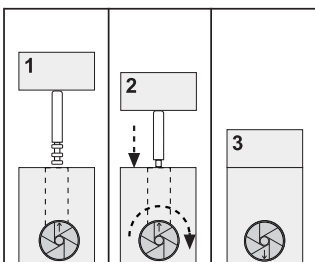
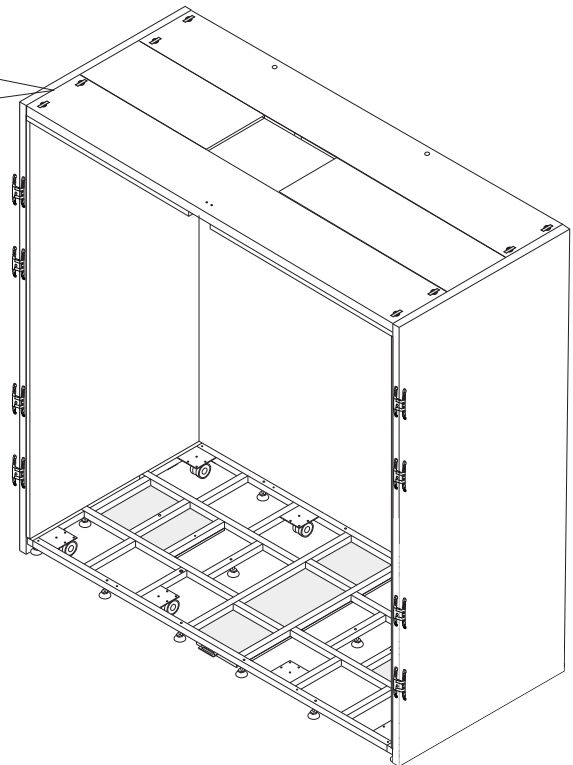
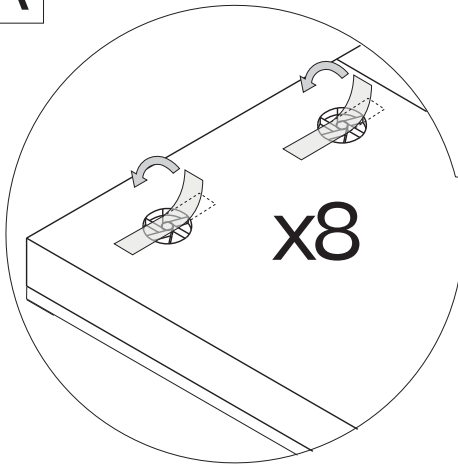
7

A



8

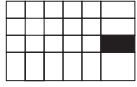
A



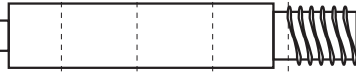
cm 0 1 2 3 4 5 6



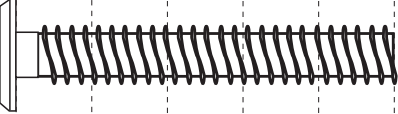
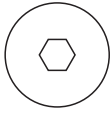
PM855



TM850A



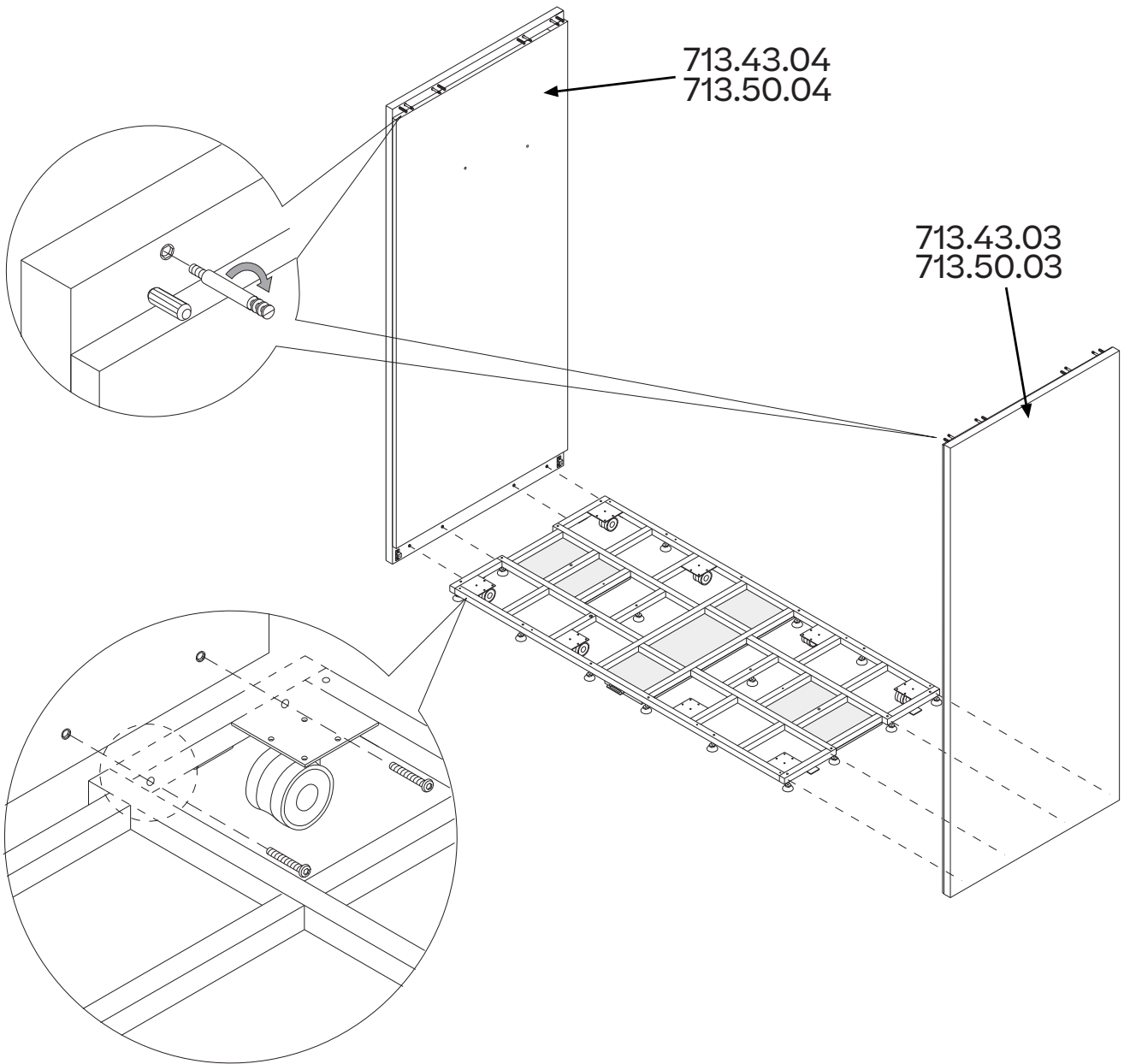
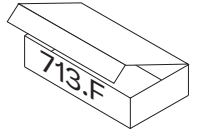
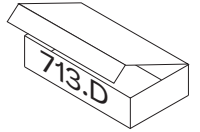
x8



x8

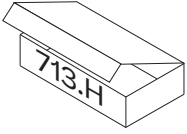
B

9



10

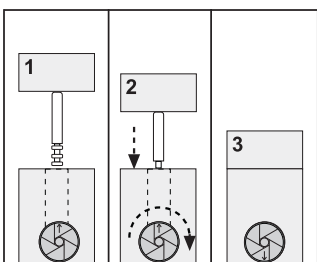
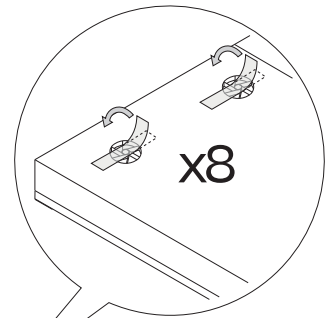
B



713.43.04
713.50.04

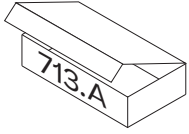
713.43.06
713.50.06

713.43.03
713.50.03

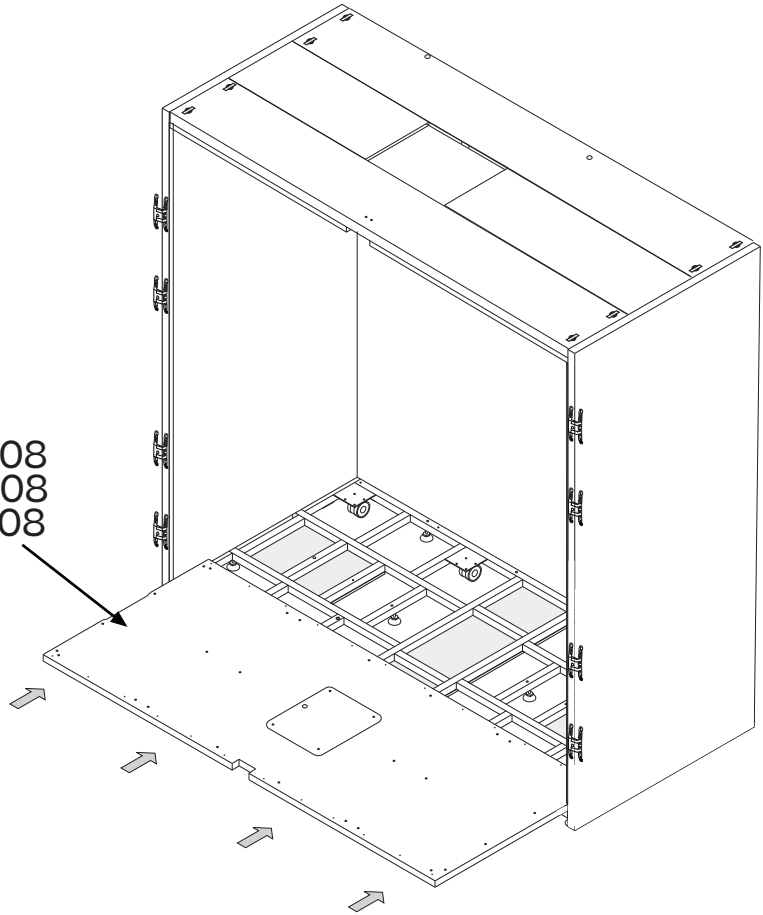


11

A



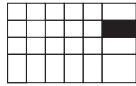
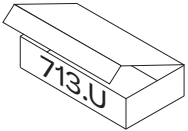
713.43.08
713.50.08
713.52.08



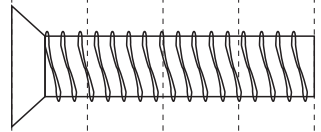
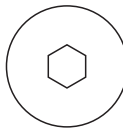
cm 0 1 2 3 4

12

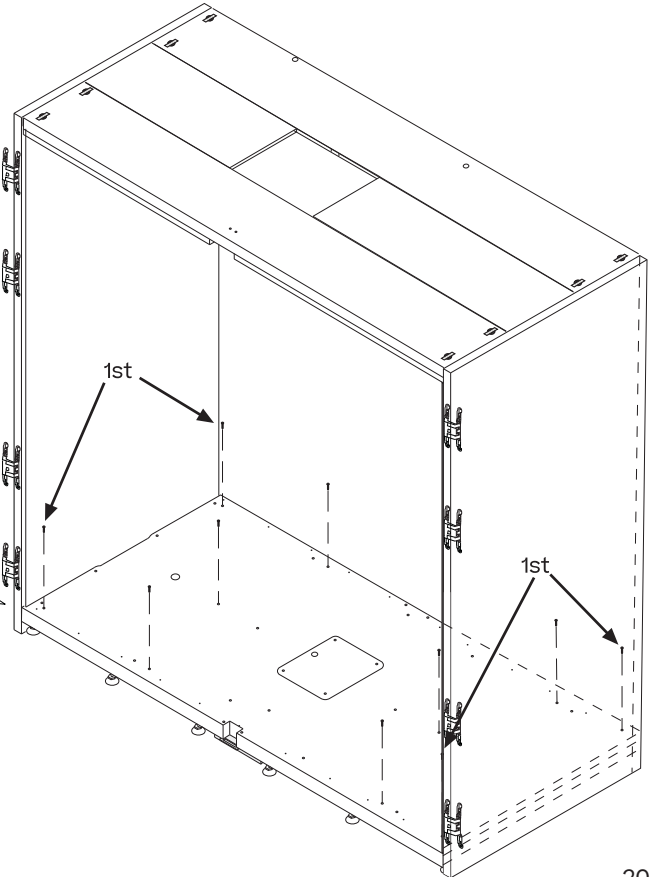
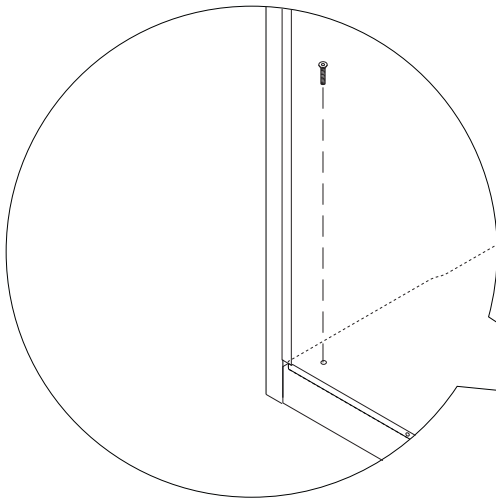
A



TM840A

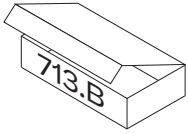


x10

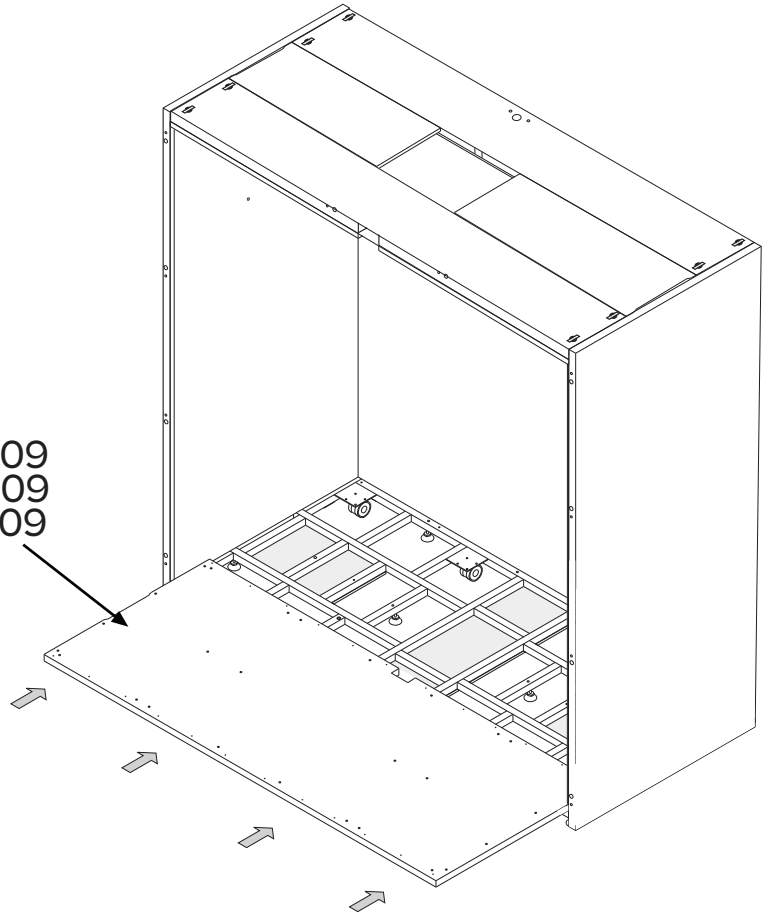


13

B

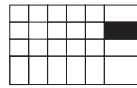
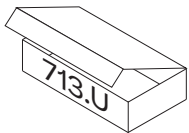


713.43.09
713.50.09
713.52.09

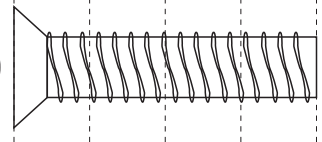
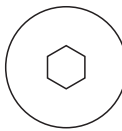


14

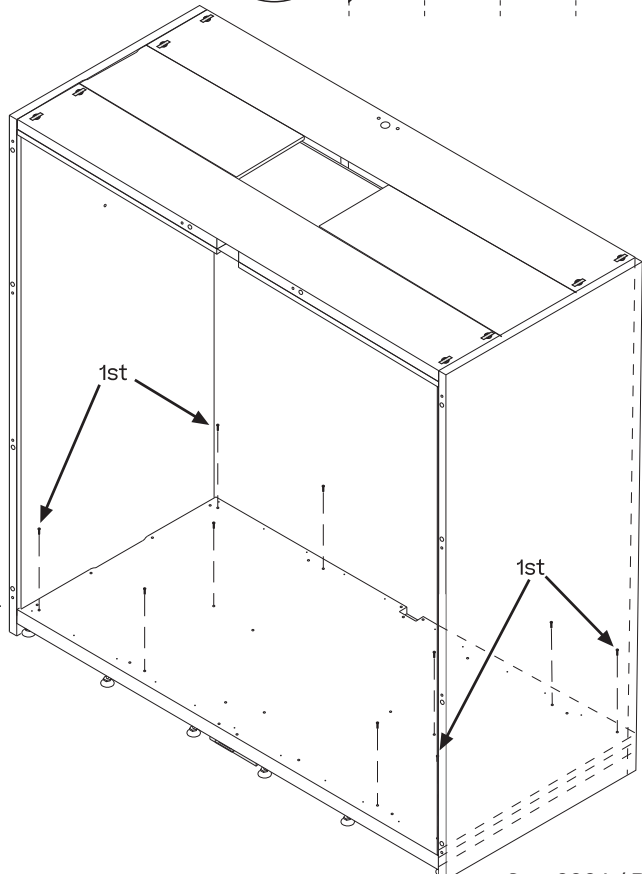
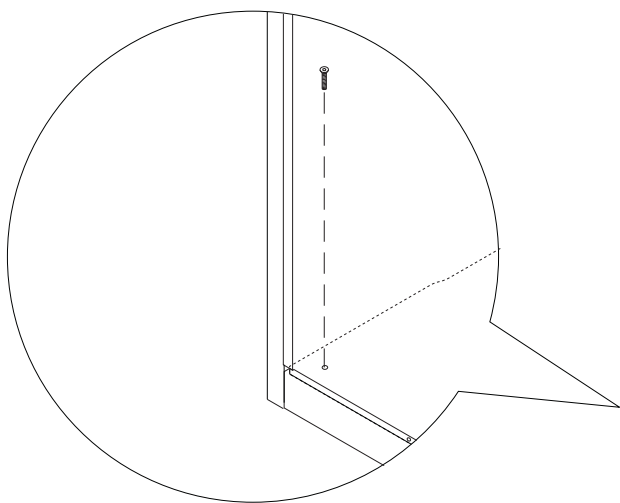
B



TM840A

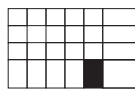


x10

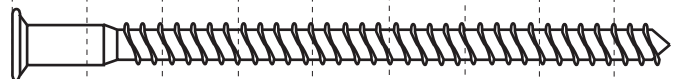


15

cm 0 1 2 3 4 5 6 7 8 9

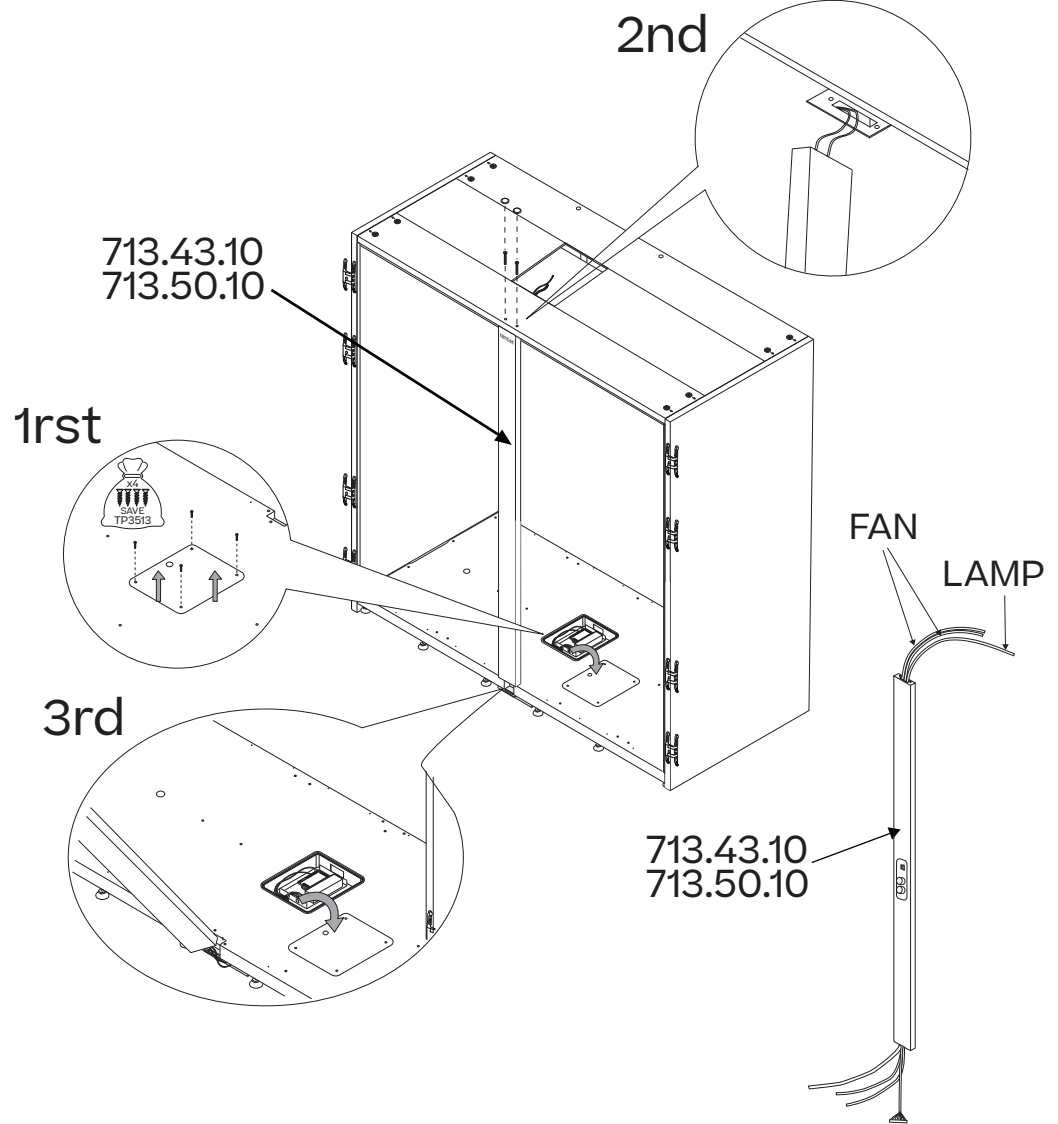
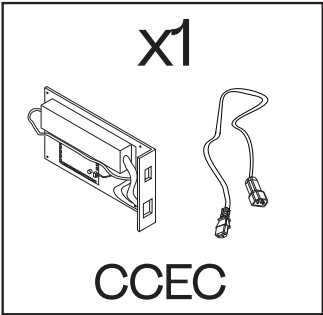
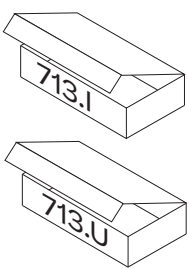


TA785



x2

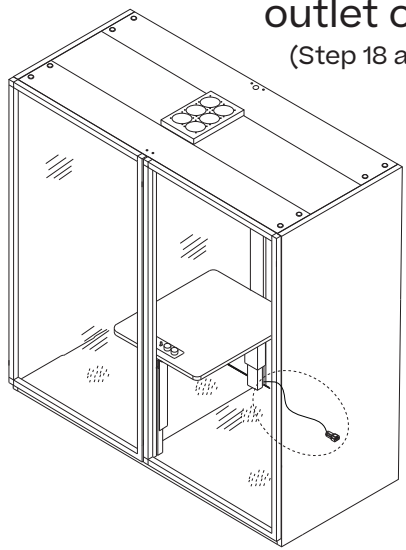
A



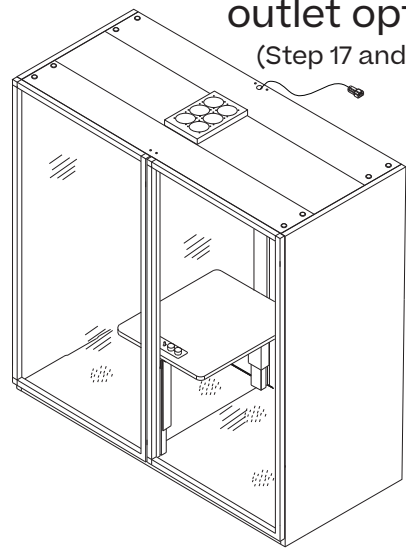
16

ELECTRICAL CONNECTION

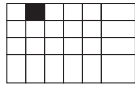
FLOOR
outlet option
(Step 18 and 30)



CEILING
outlet option
(Step 17 and 19)



17



B

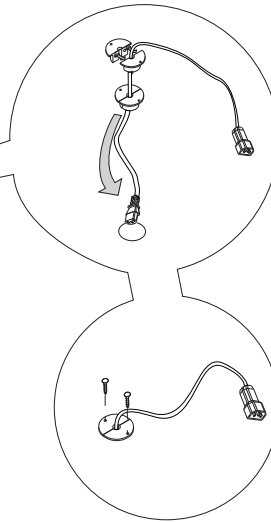
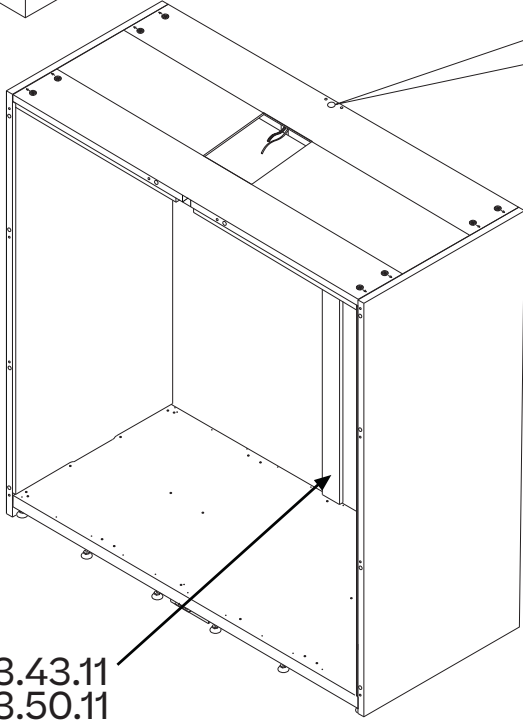
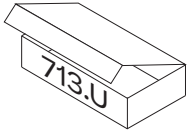
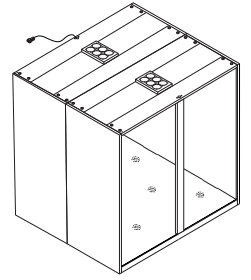
cm 0 1 2

TP3516

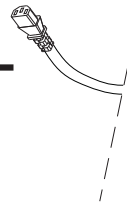


x2

CEILING



+



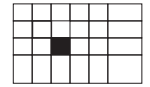
EUROPE

UK

AUSTRALIA

SWISS

USA



x2



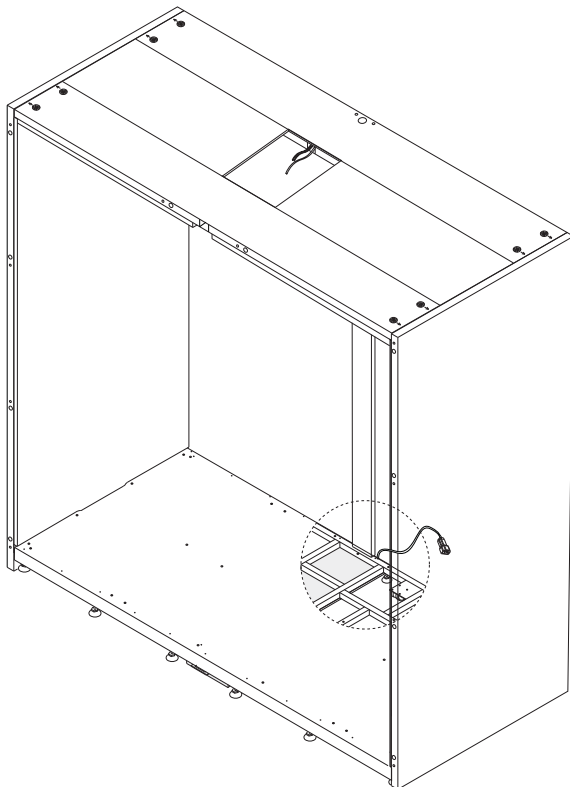
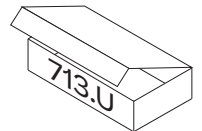
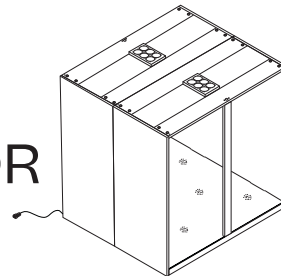
PN5418

713.43.11
713.50.11

B

FLOOR

18



+



EUROPE

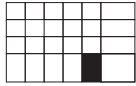
UK

AUSTRALIA

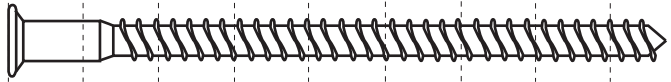
SWISS

USA

19



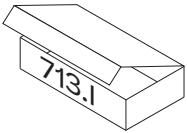
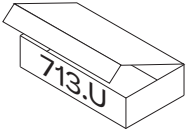
TA785



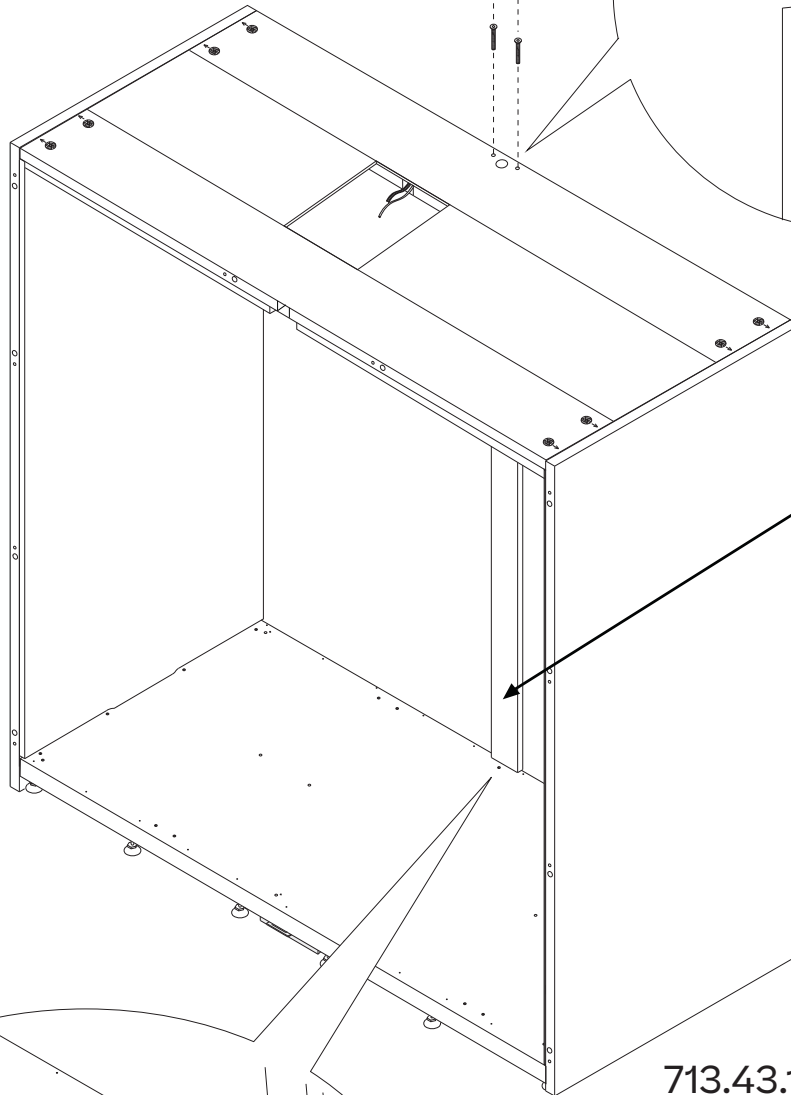
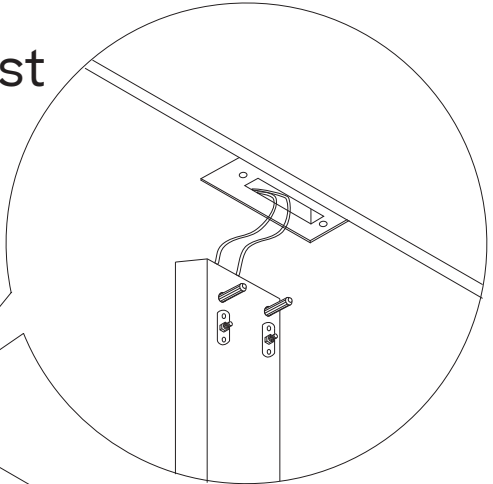
x2

cm 0 1 2 3 4 5 6 7 8 9

B



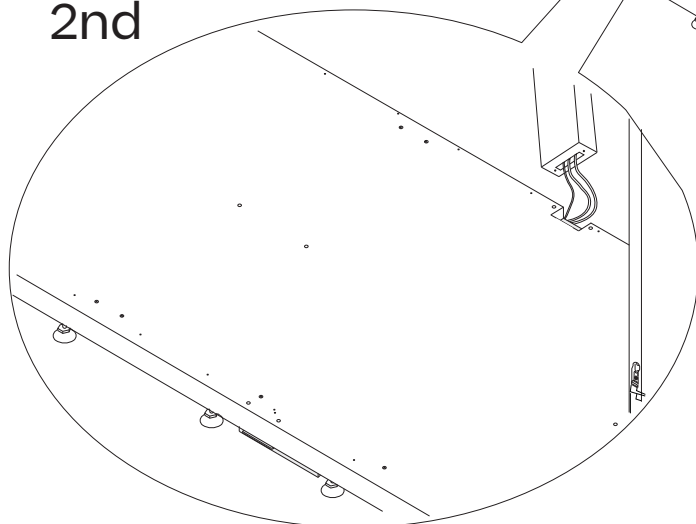
1rst



713.43.11
713.50.11

POWER
CABLE
FAN


2nd



713.43.11
713.50.11

CEILING
OPTION PASS
THE POWER
CABLE NOW

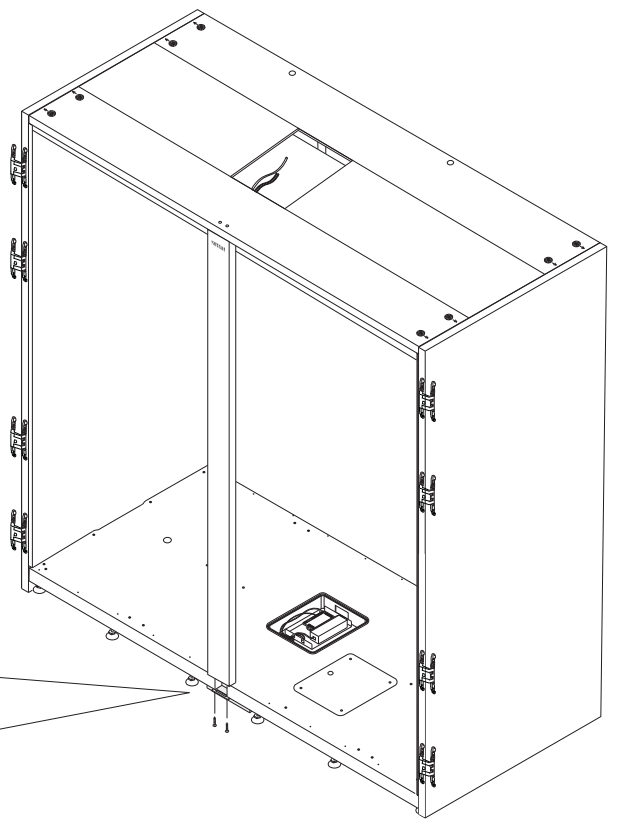
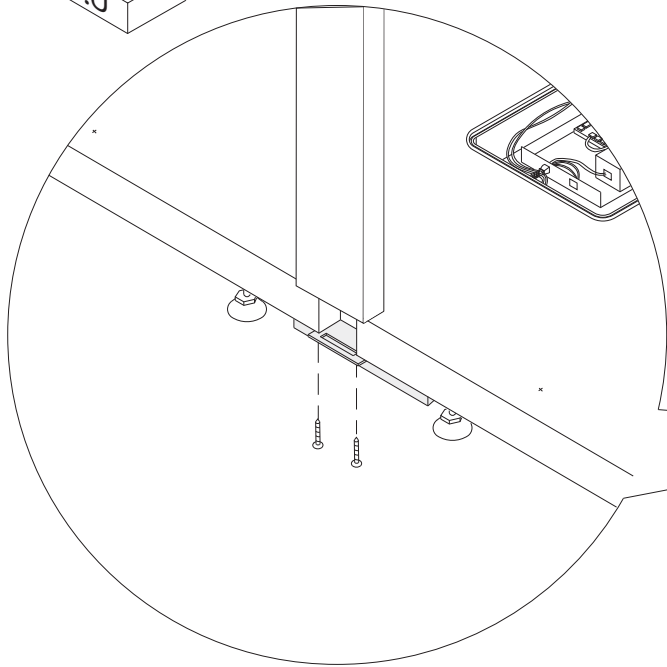
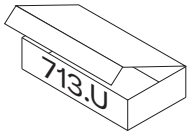
x2



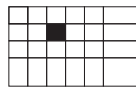
TA4U113
TA4U211

20

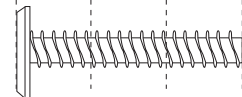
A



cm 0 1 2 3



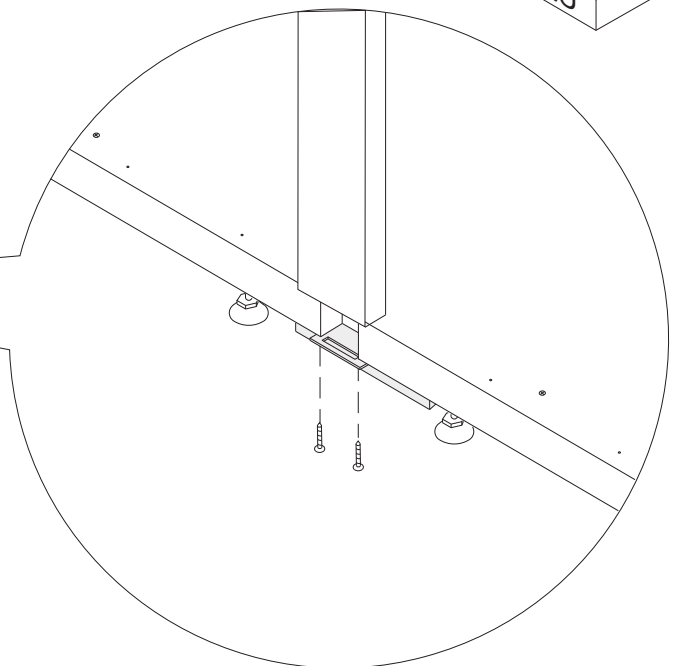
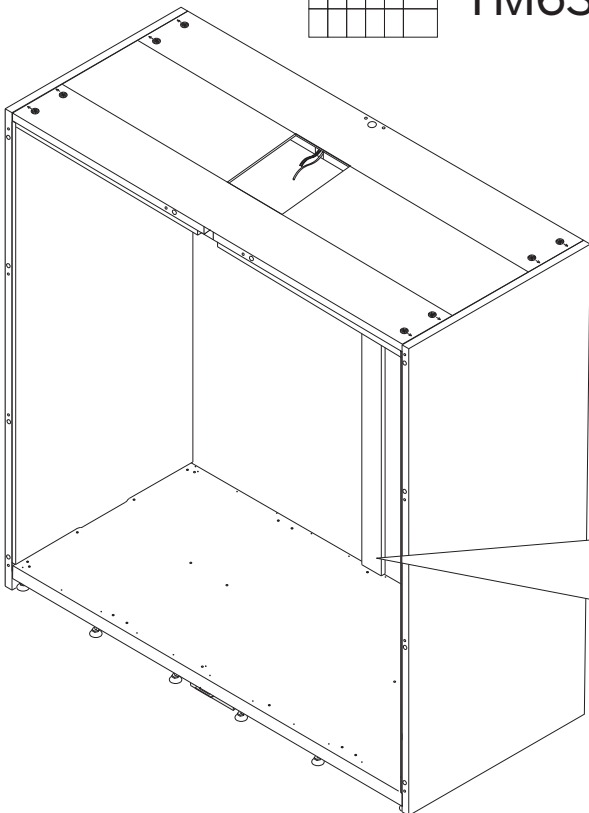
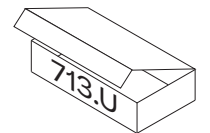
TM630ZA



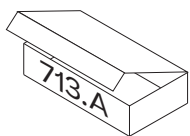
X4

B

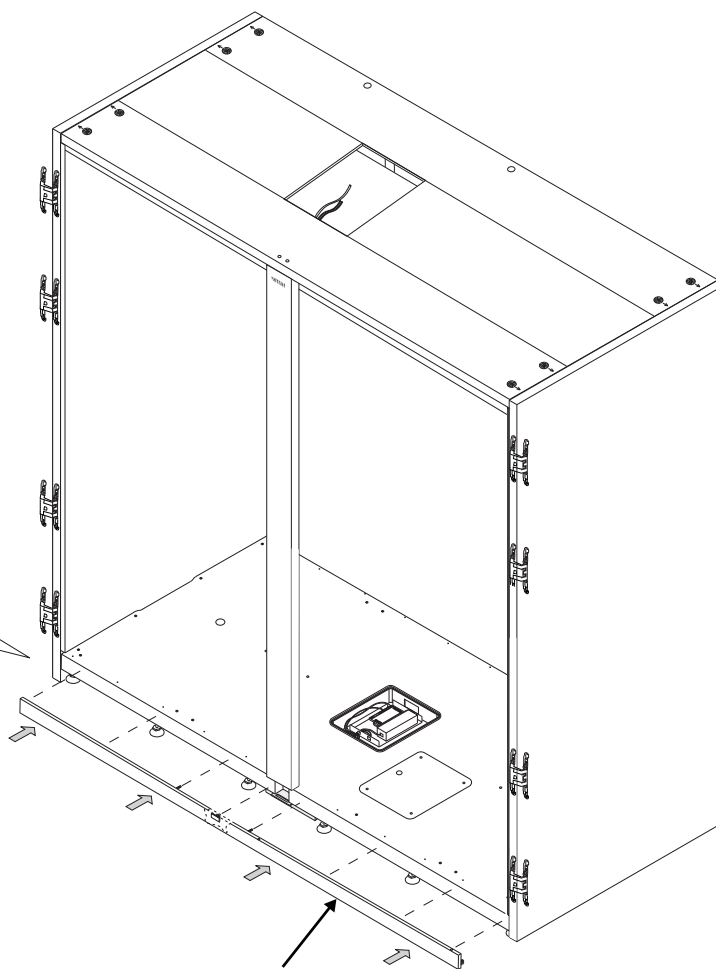
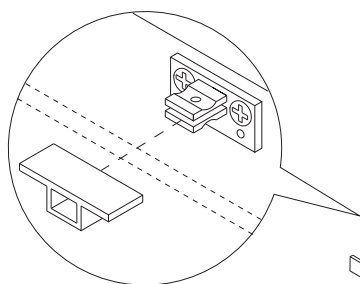
21



22 A

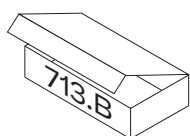


Click

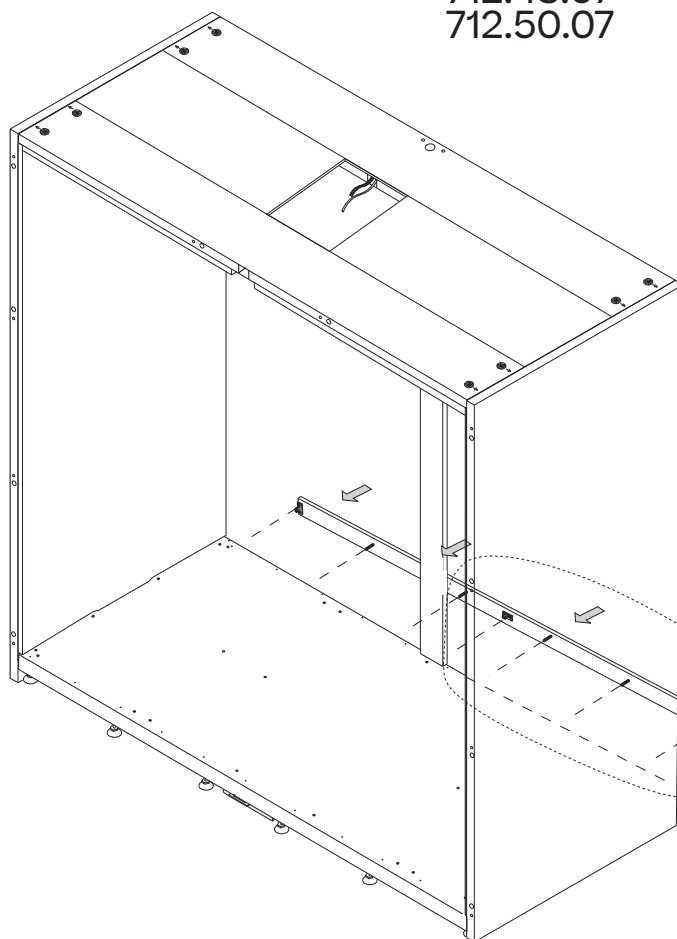
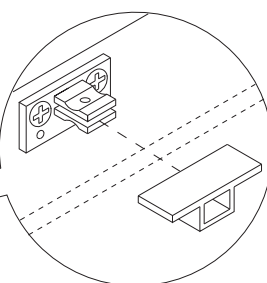


712.43.07
712.50.07

23 B

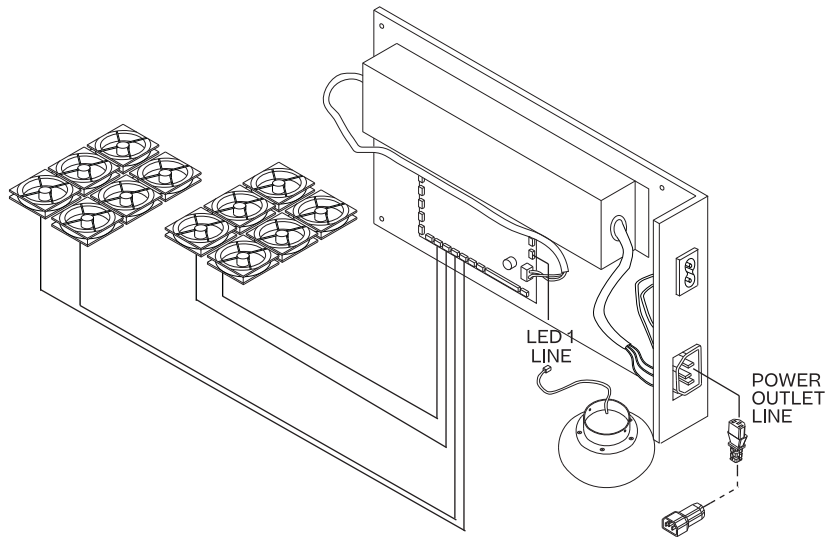


Click



712.43.07
712.50.07

24



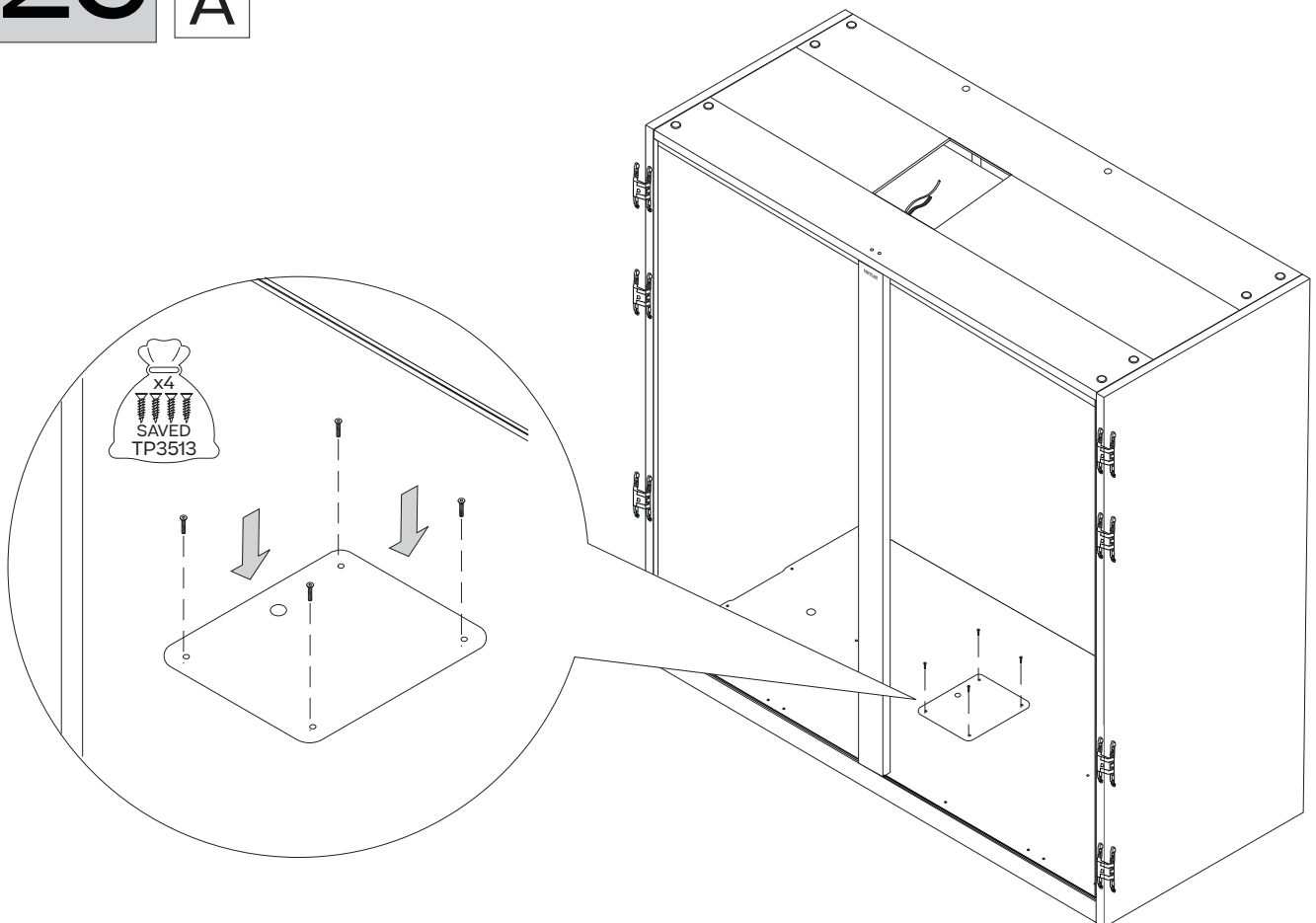
After installation, reset the desk according to the operating instructions.

Hold the down button for 5 seconds or until the desk reaches its lowest height. Then there will be a small rebound movement. If the desk didn't move, try this step again.

Try operating the desk. If the desk is working properly, you're done!

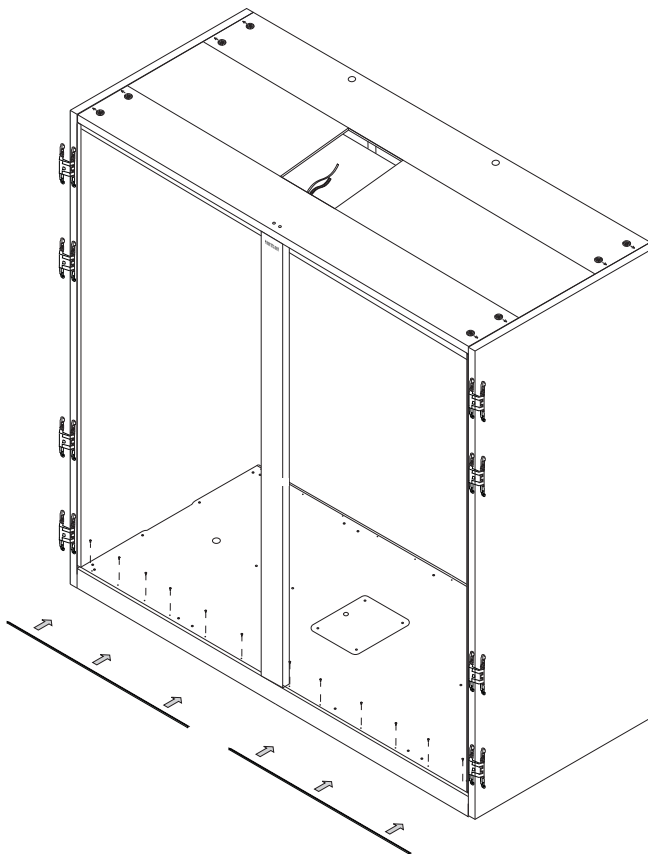
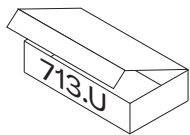
25

A



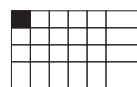
26

A



27

B

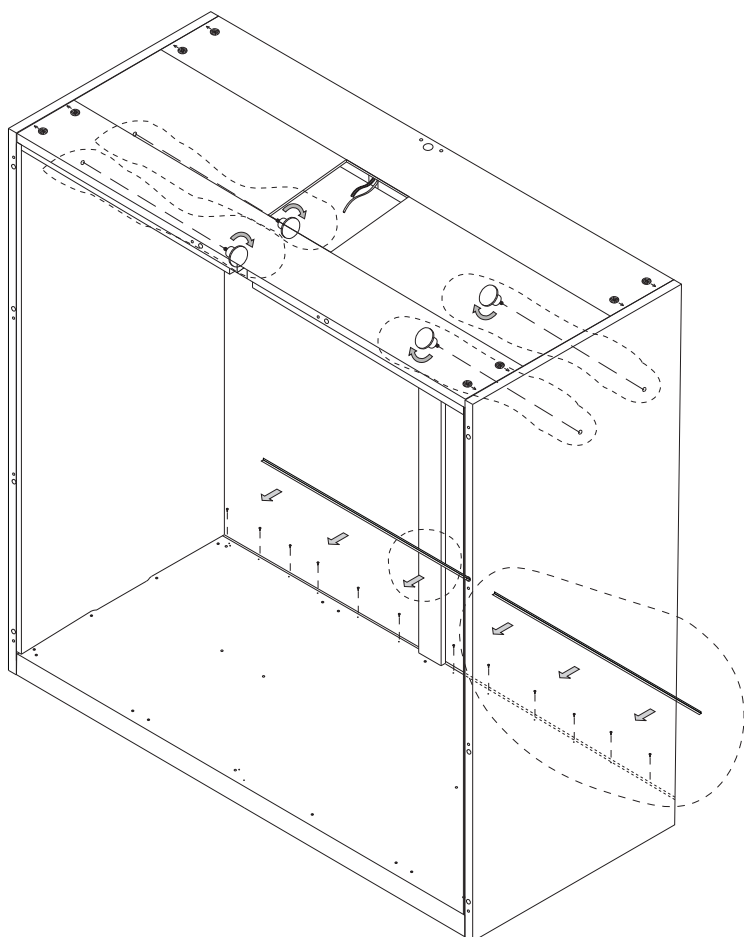


cm 0 1 2

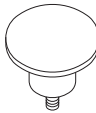
TP2516



X24




X4



CRM8
CNM8

X4



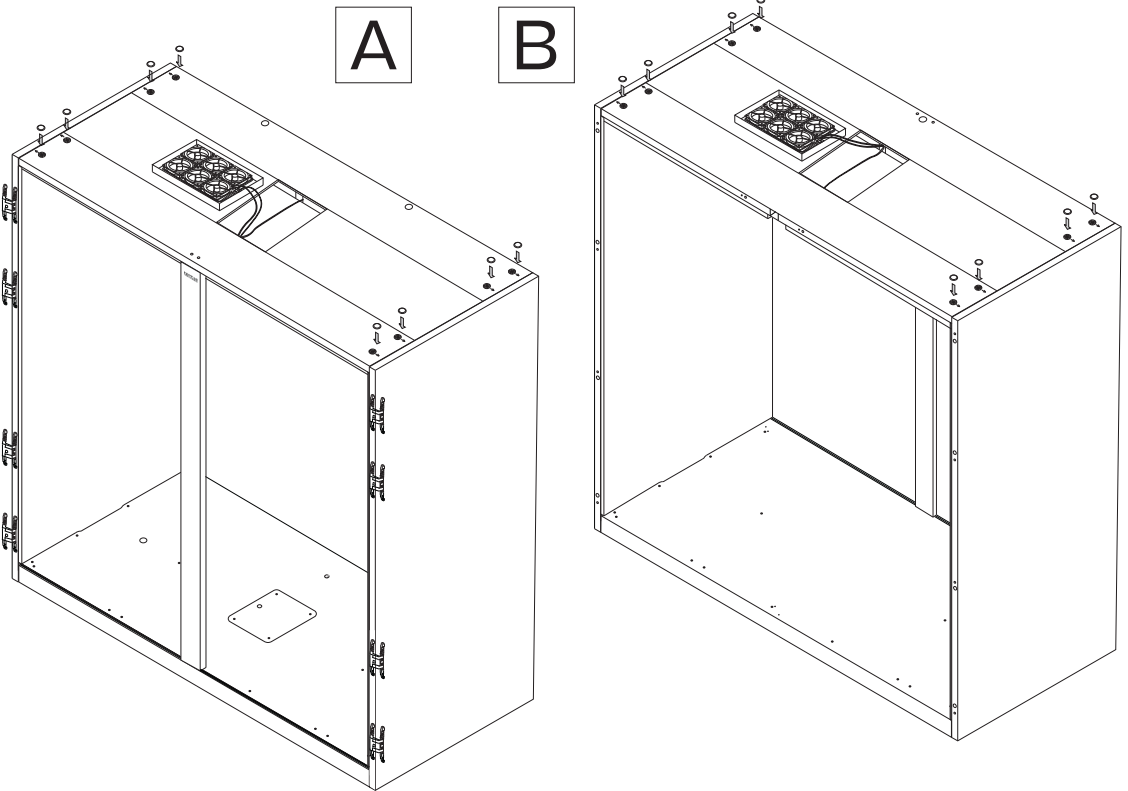
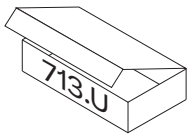
PM1002RK
PM1002NL

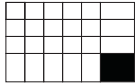


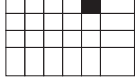

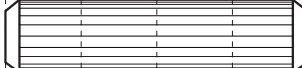



28


x16

 T35U113
 T35U211

29

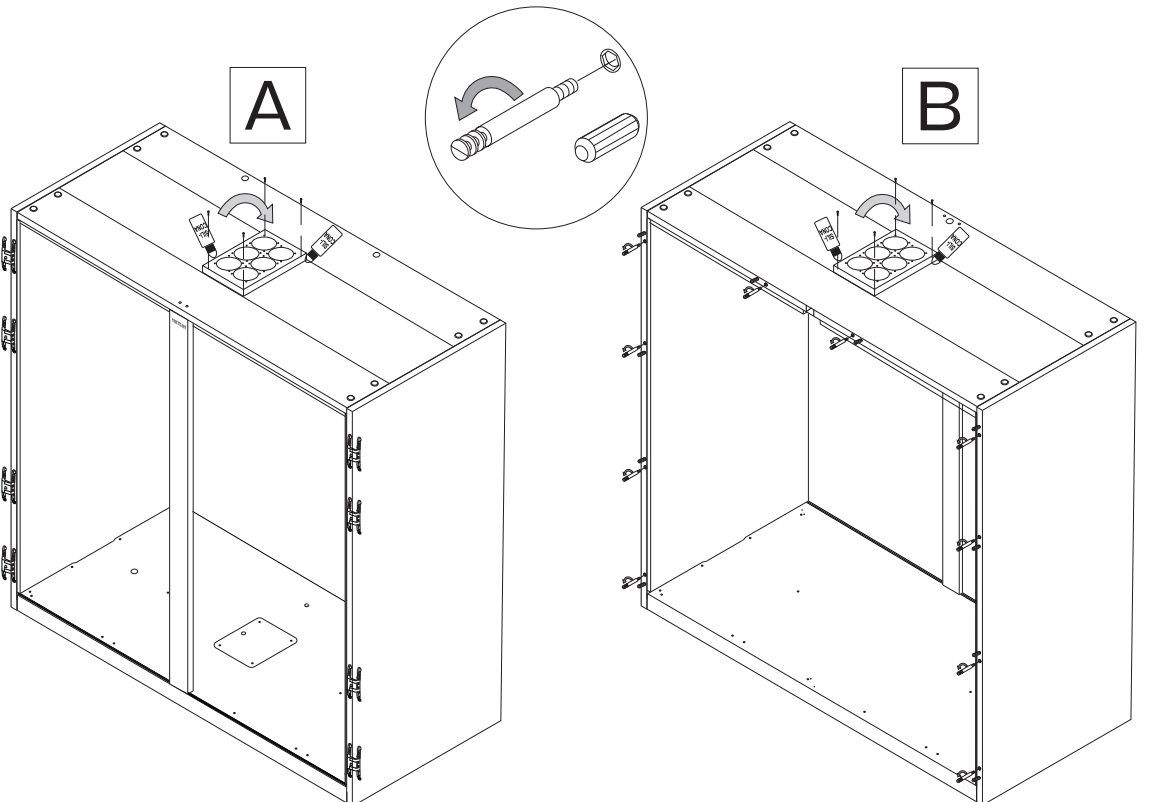


	PM855			x10
	CL1040			x10
	TNC545			x8

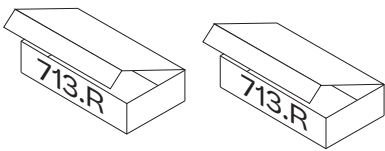
cm 0 1 2 3 4 5 6

x1

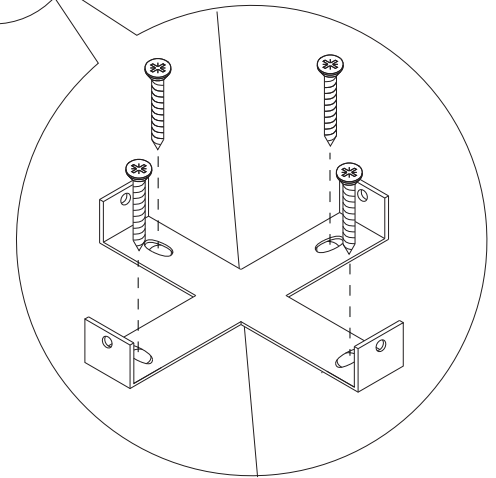
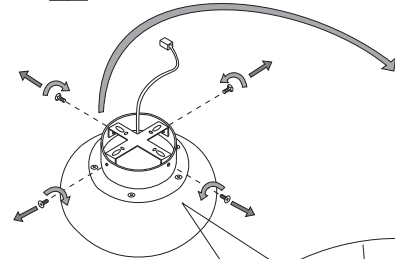
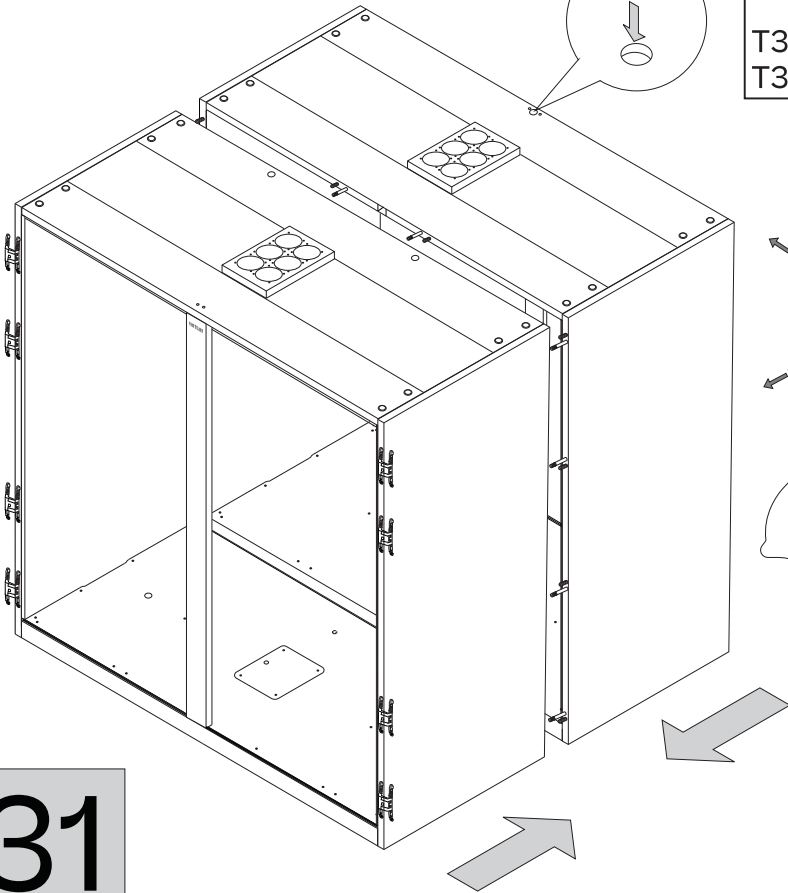
SIL60ML



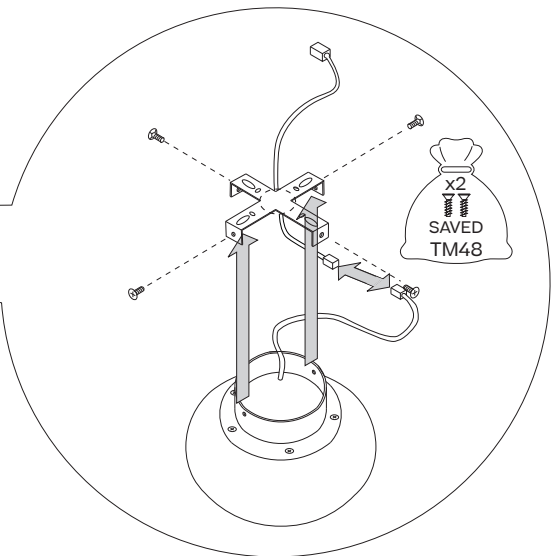
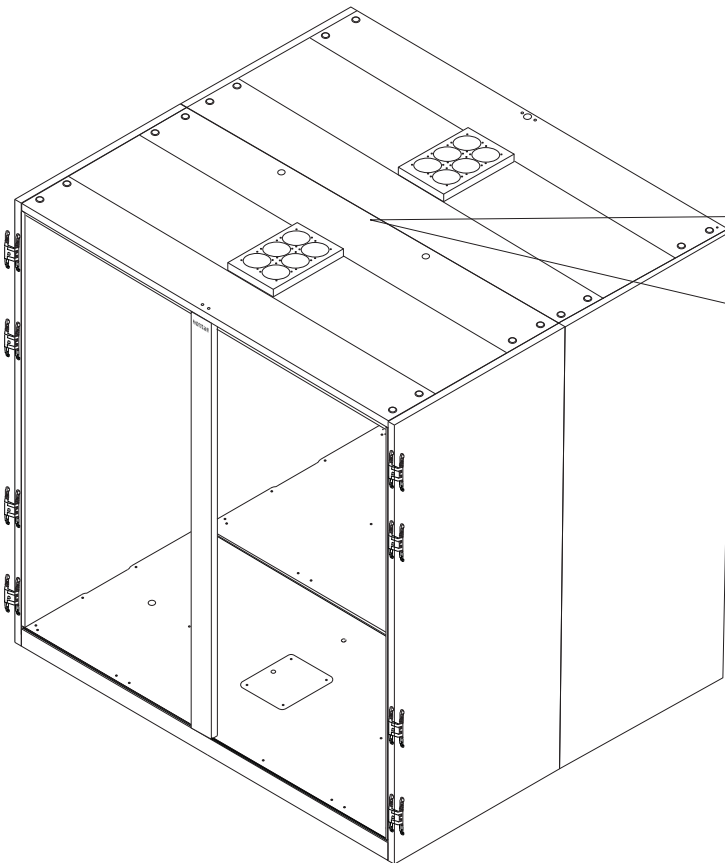
30



x1	x4	x1
T35U113 T35U211	TC25	SMLL

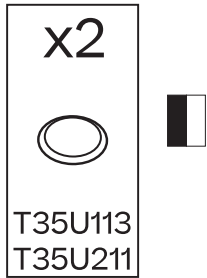
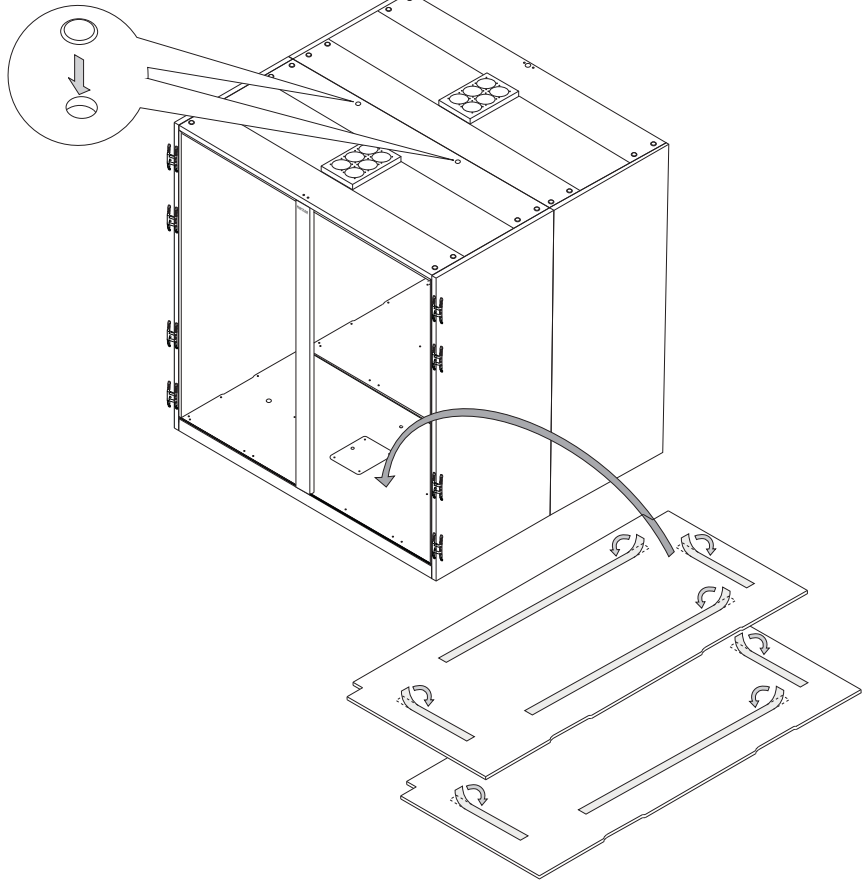
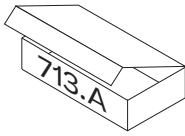


31

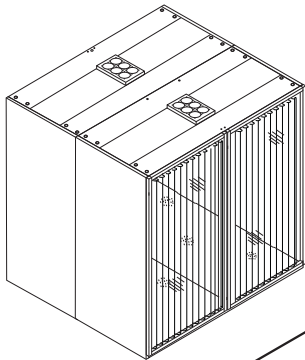


x1
LL175350

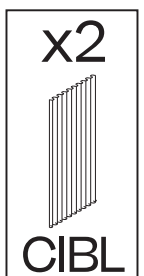
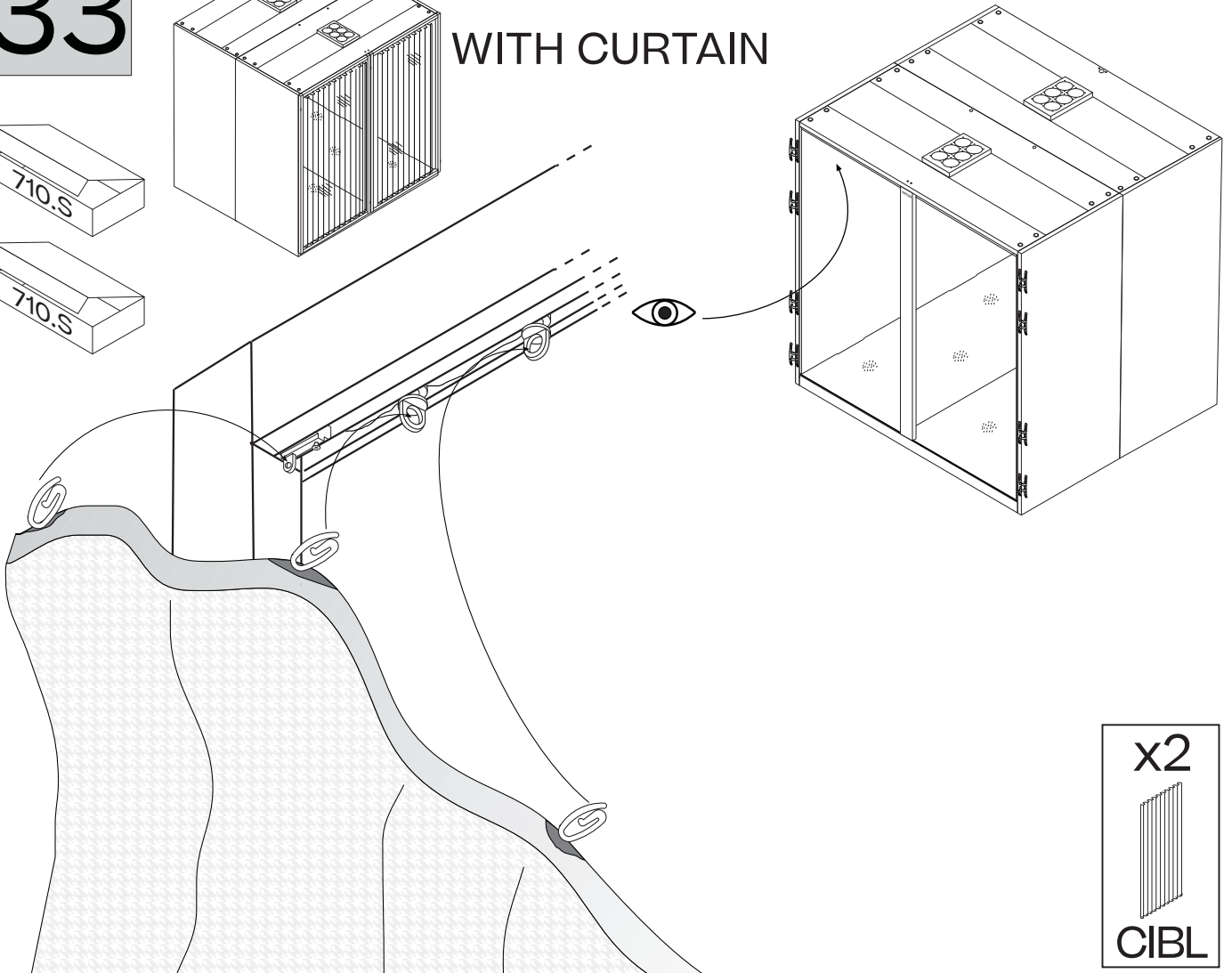
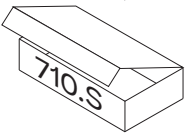
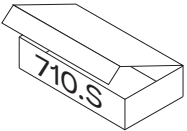
32



33

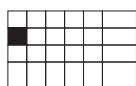
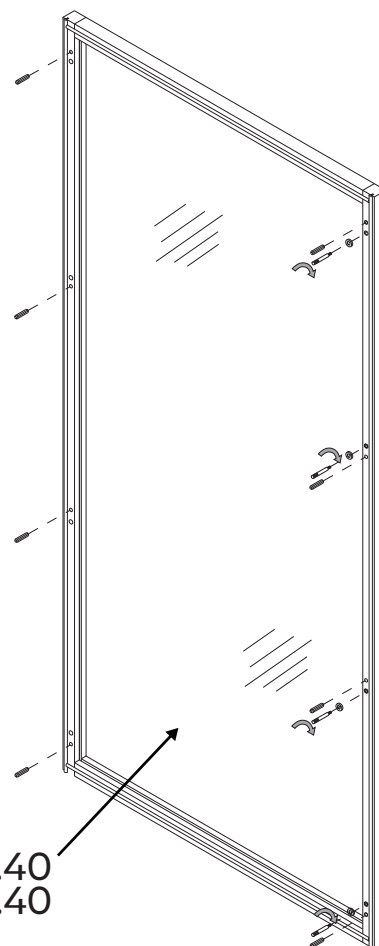
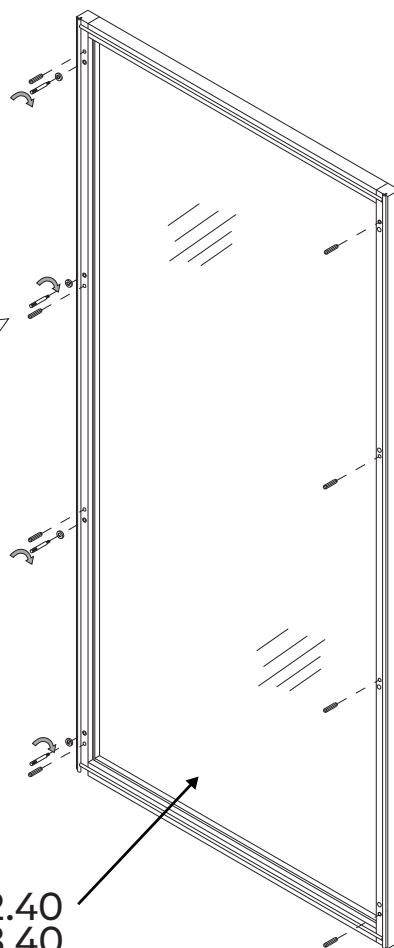
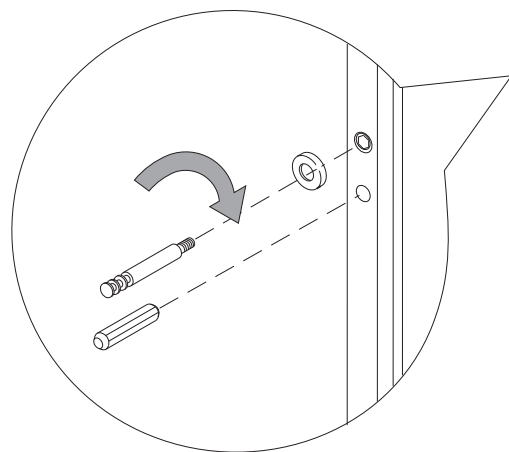
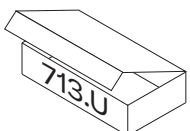
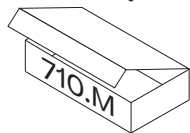
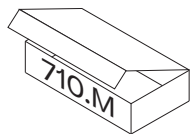


WITH CURTAIN



34

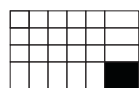
WITHOUT CURTAIN



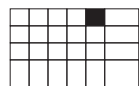
x8

SN14549

Gen 2024 / Revision 0



PM855



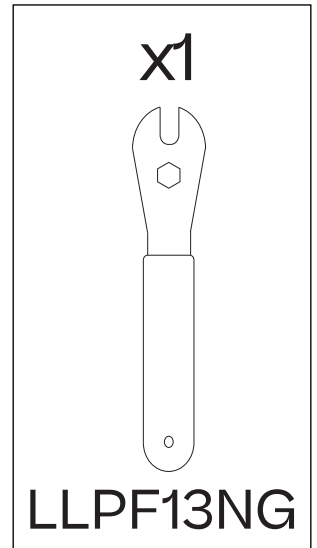
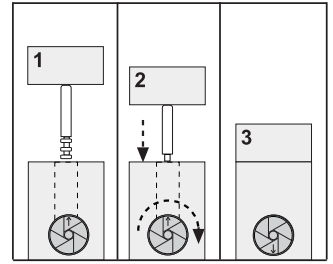
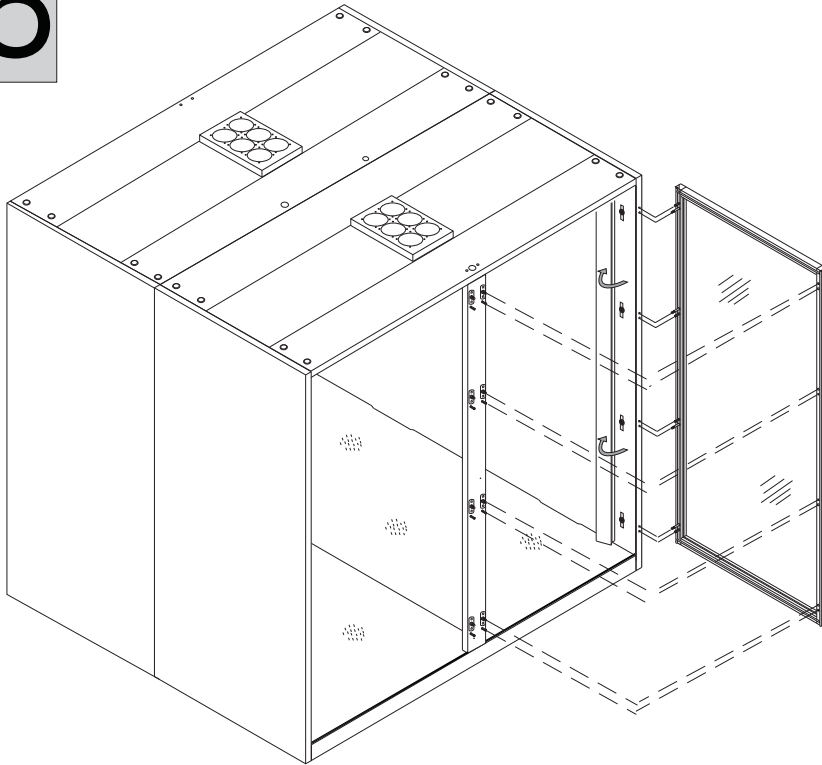
CL1040

cm 0 1 2 3 4 5 6

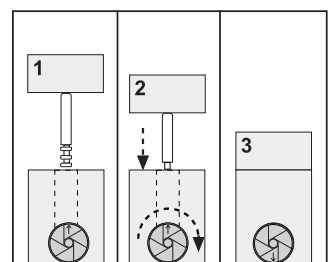
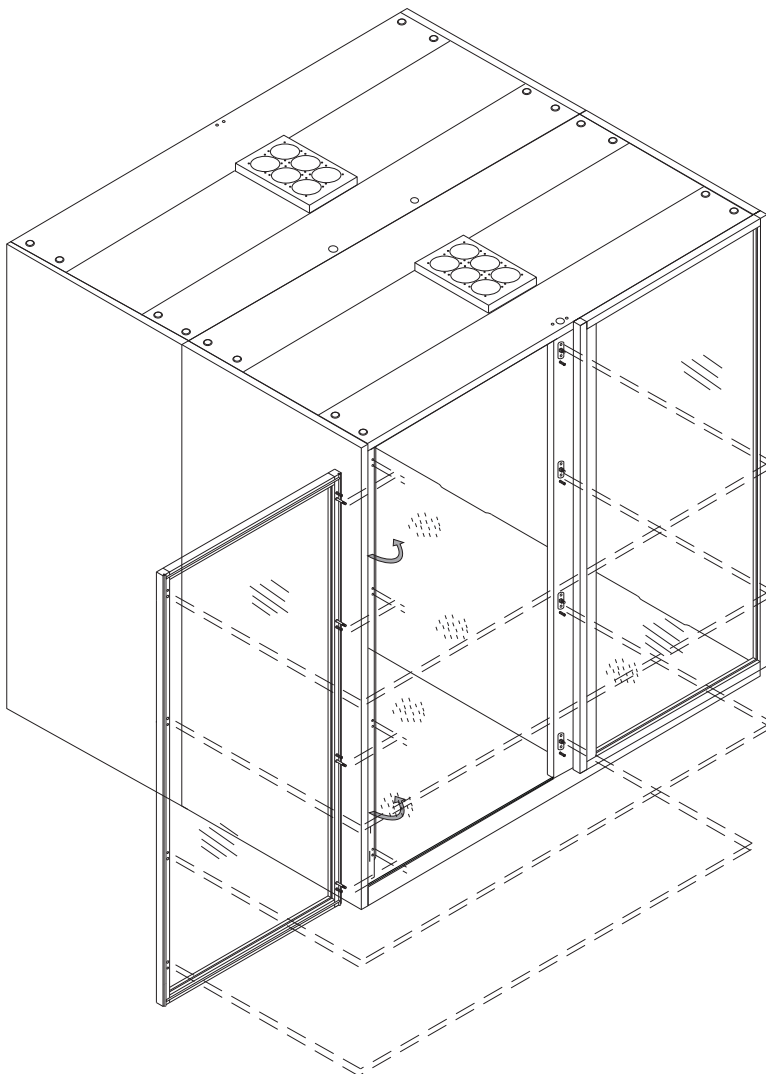
x8

x16

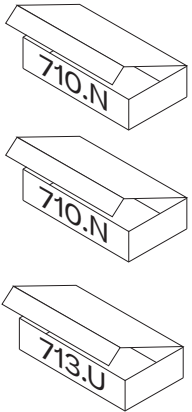
35



36

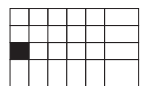
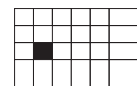
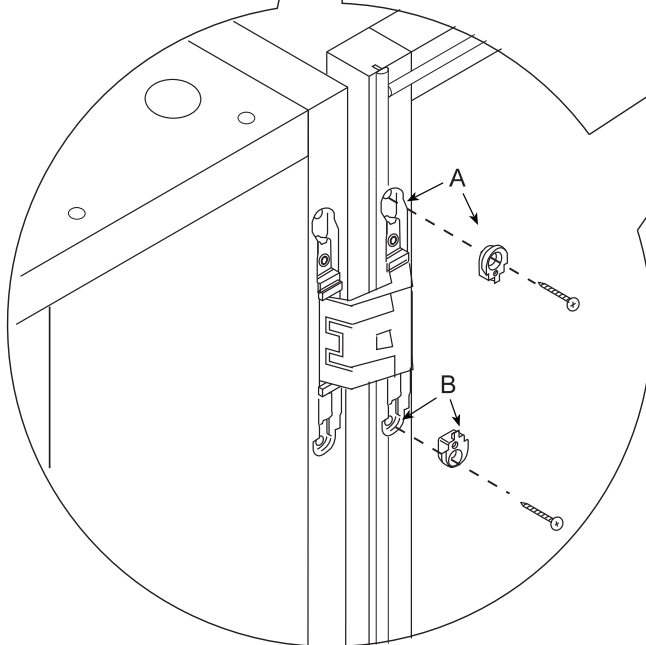


37



710.12.50
710.13.50

710.12.50
710.13.50

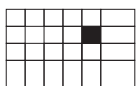


x8

TBPA

x8

TBPB

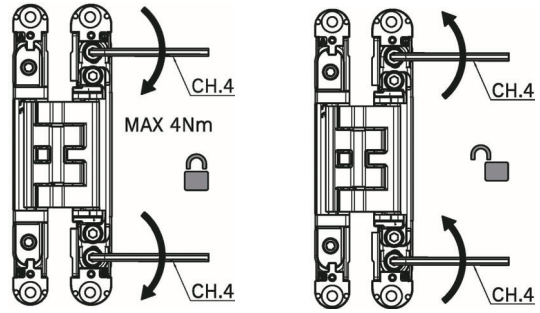
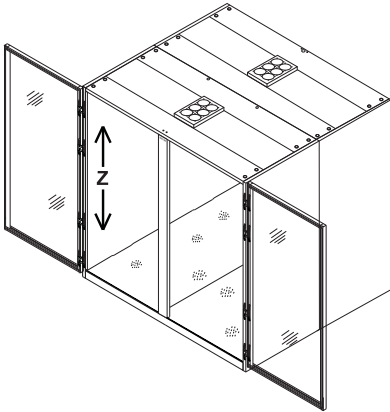


cm 0 1 2 3 4

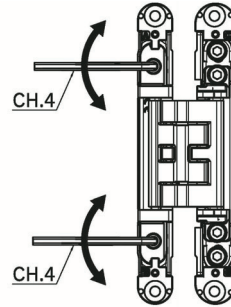
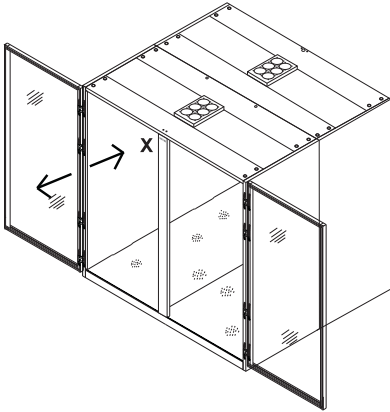
TB535 x16

38

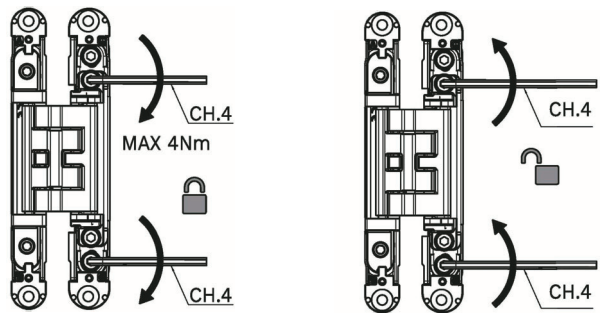
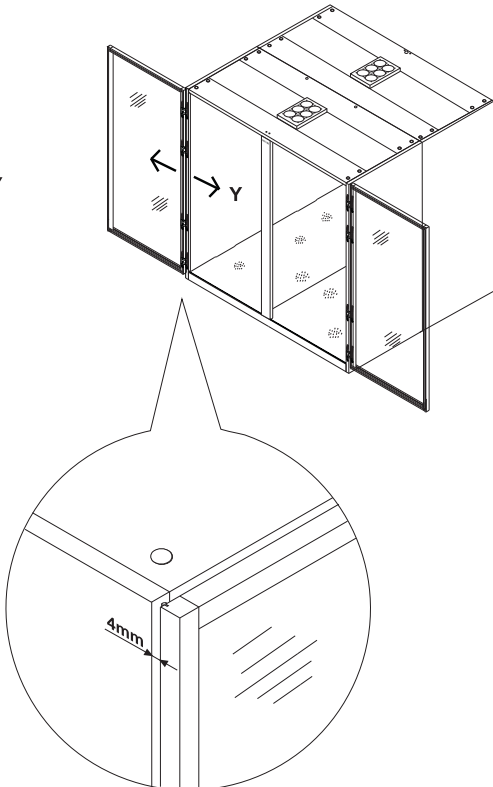
Z



X




Y



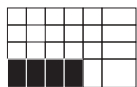
39




x16



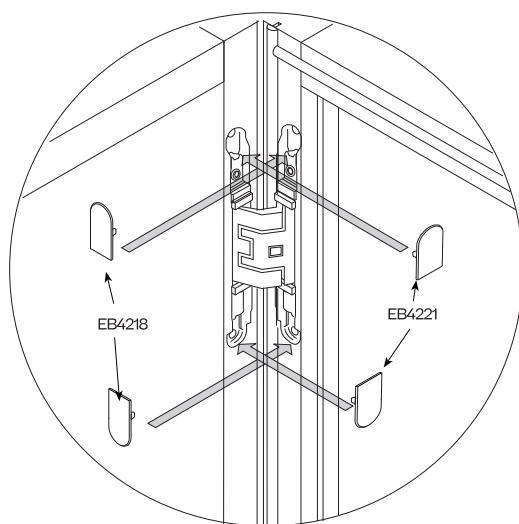
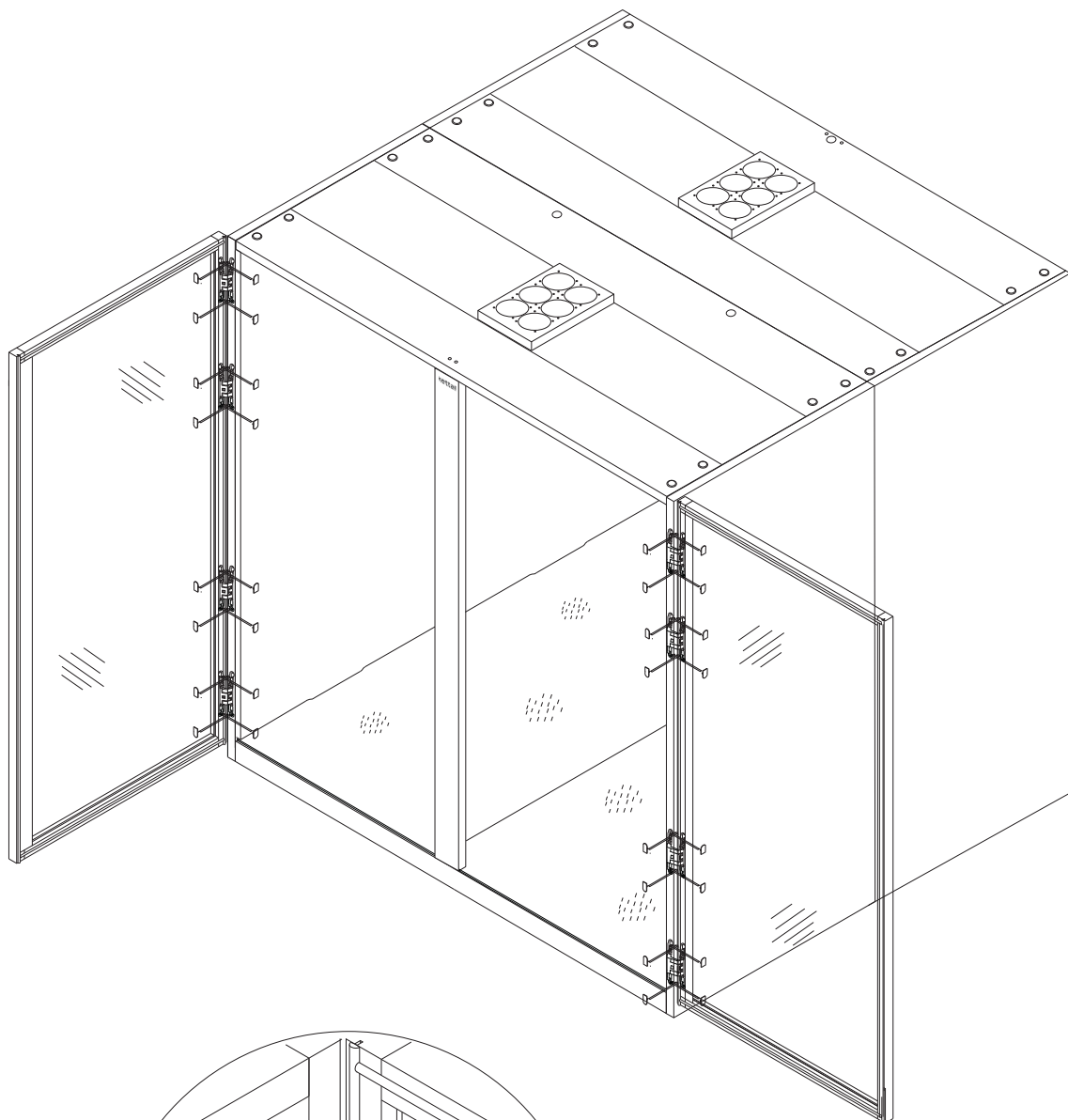
EB4218



x16



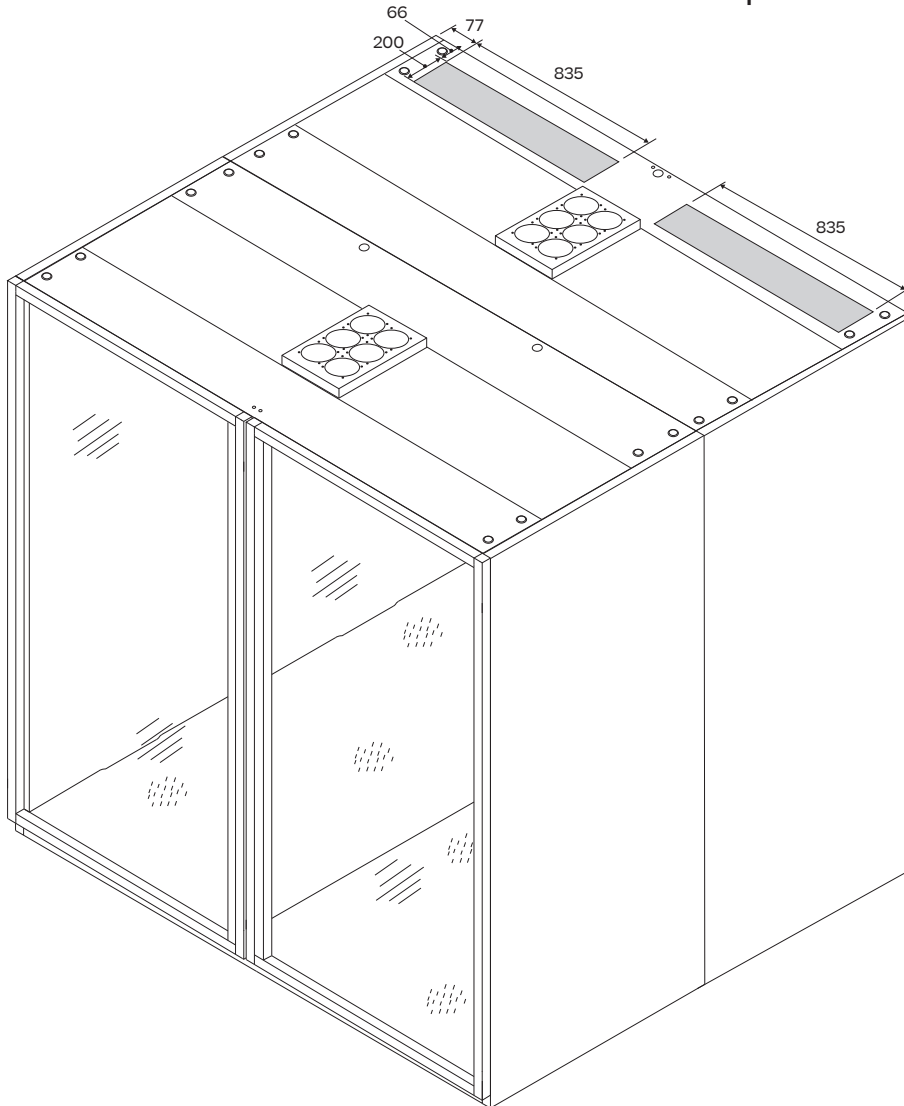
EB4221



40



Space to install:
Sprinkler
Smoke detector
Speakers



Kall cabins are easily transportable so they can be considered mobile furniture rather than building structures for which building sprinkler standards are established. In addition, they are manufactured from fireproof or retardant materials that do not contribute to increased fire loads. Kettal does not provide, does not install and is not responsible for the installation of this type of accessories. However, if local regulations require it, it is possible to install them.

Date: Gen 2024

Copy Rights

The copying, use distribution or disclosure of this/these confidential document/s is strictly forbidden without prior written consent. Any breach will subject the infringing party to remedies. All right reserved in case of the grant of a patent or registration of a utility model or design.

Kettal Barcelona
Aragón, 316
08009 Barcelona, Spain
T. (34) 93 487 90 90
F. (34) 93 487 90 66

kettal