

Assembly Guide

Molo

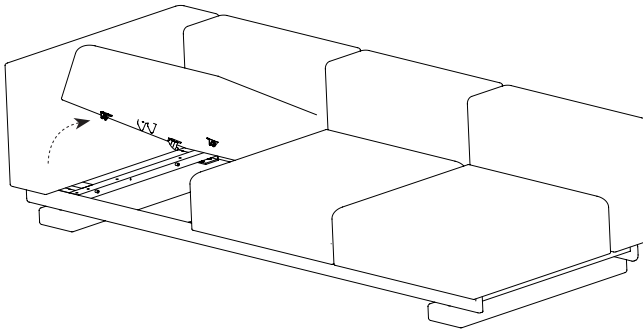
Seat and Cover Removing

**kettal**

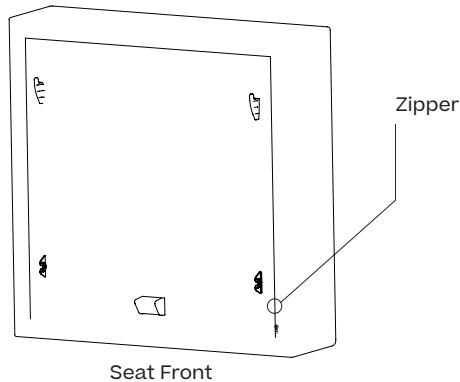
# Molo Sofa

## 1. Remove seat cover

- 1.1 Raise the seat holding from the front part underneath, push up until it can be removed.

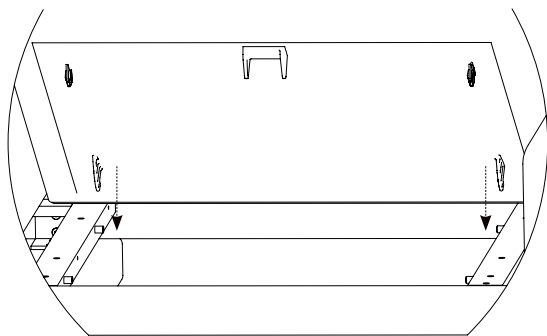
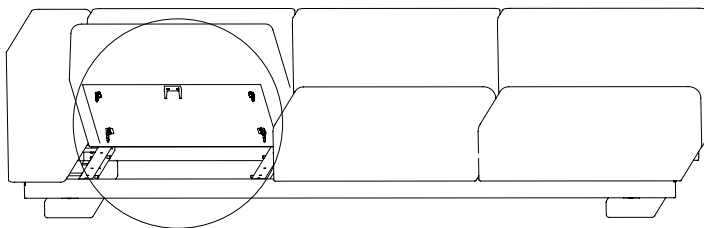


- 1.2 Once seat is removed, open the zipper and remove the cover.

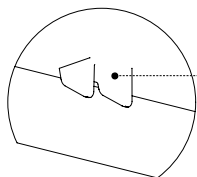


## 2. Seat placement

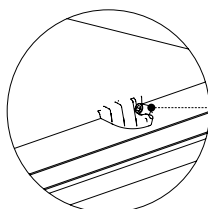
- 2.1 Put cover back on and place the seat in the right position. Always respecting front of seat.



Place fixing inside profiles to guide the seat



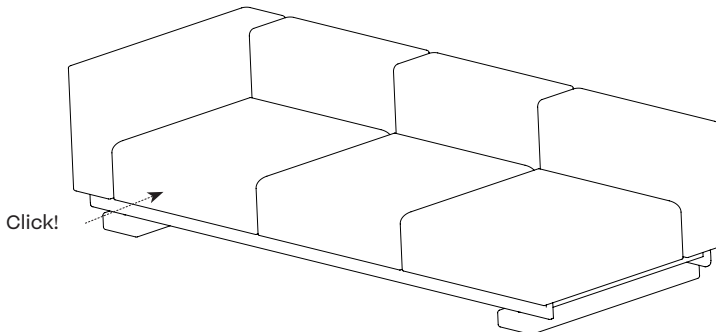
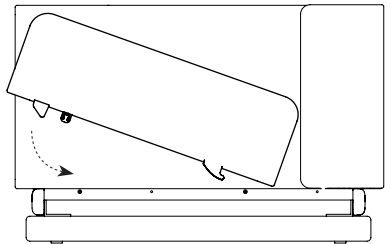
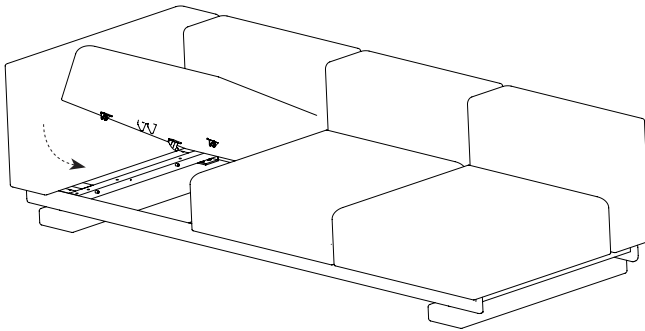
Front fixing



Rear fixing

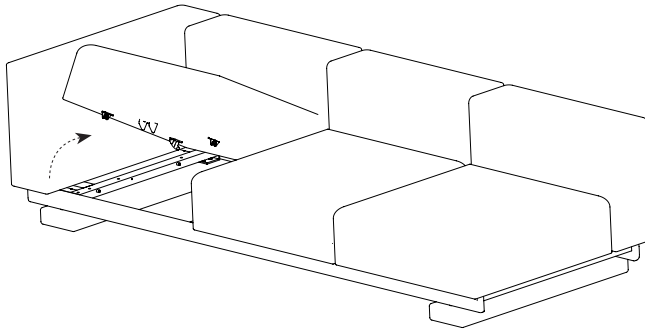
# Molo Sofa

2.2 Press down and push against the backrest until it clicks.

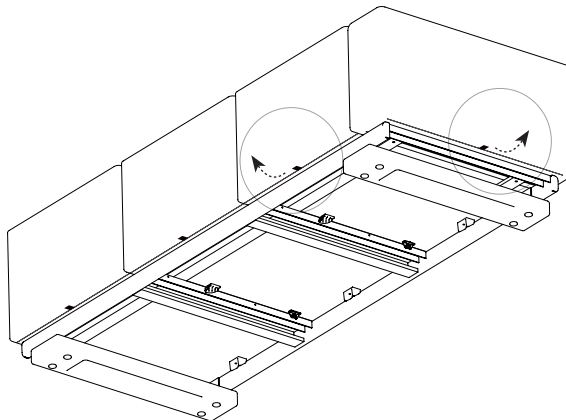


### 3. Remove backrest & armrest cover

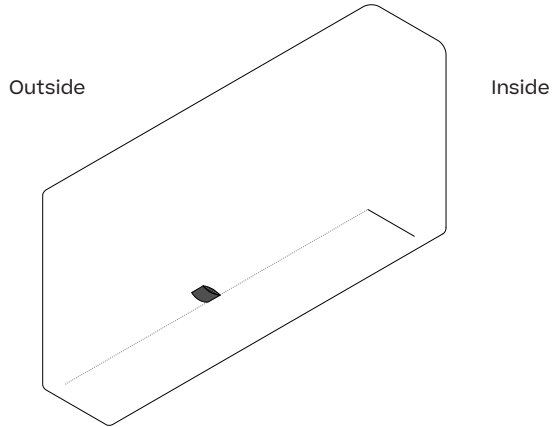
- 3.1 To remove backrest and armrest cover, first you must remove the seat.



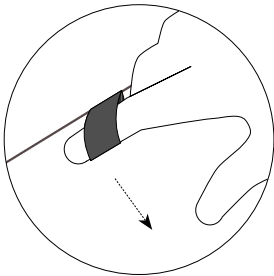
- 3.2 Pull out to remove the guide underneath. Velcro is just positioned in the outer part of sofa.



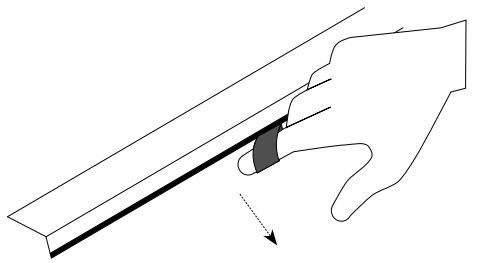
# Molo Sofa



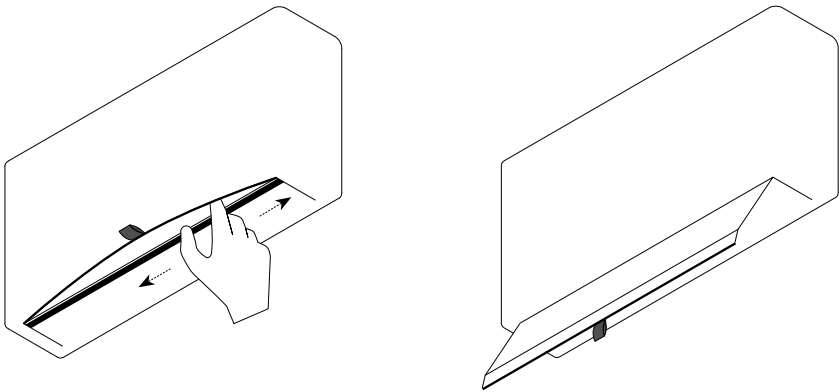
3.3



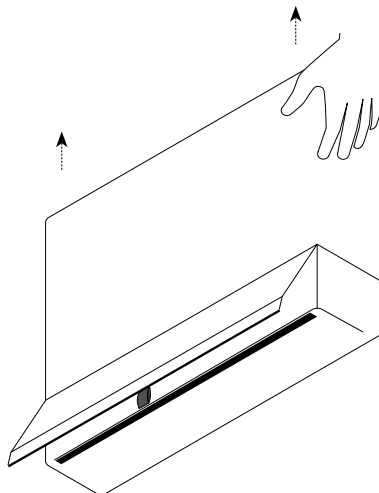
3.4



- 3.5 Insert your finger through the guide and slide it to both sides to finish removing it.



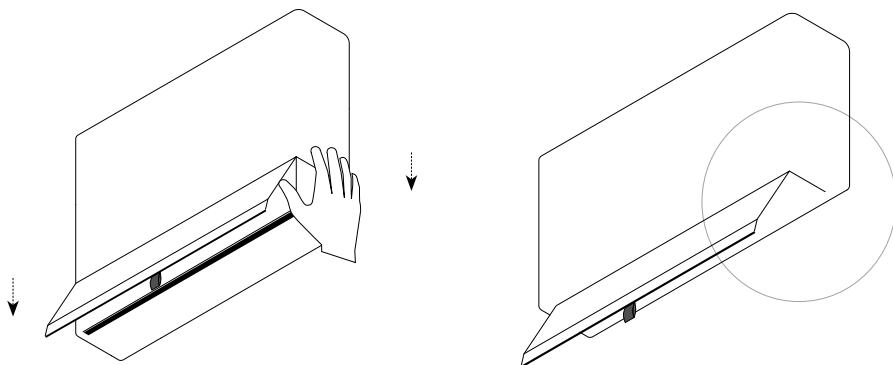
- 3.6 Remove cover pulling upwards.



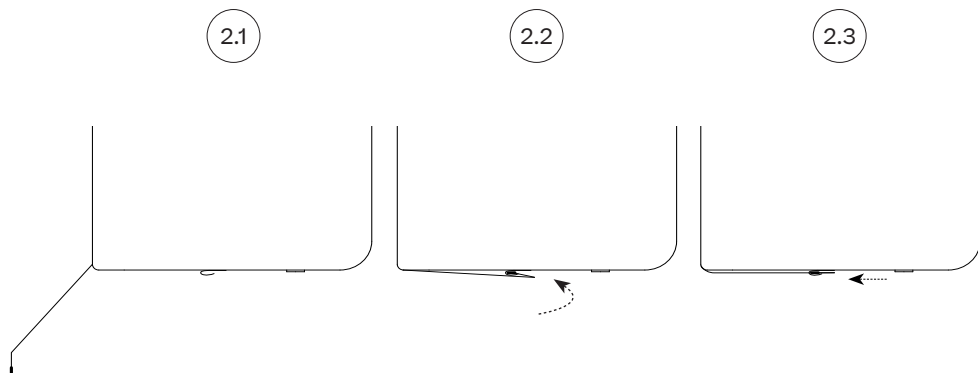
# Molo Sofa

## 4. Place backrest & armrest cover

4.1 Introduce the cover pulling downwards



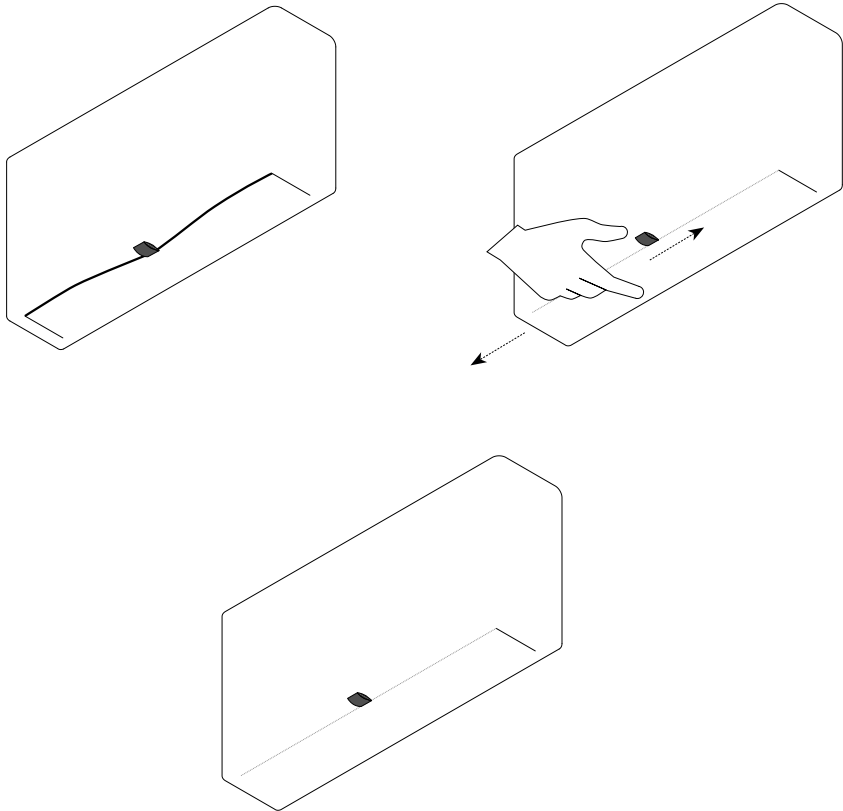
4.2 Insert the end of the sleeve into the guide





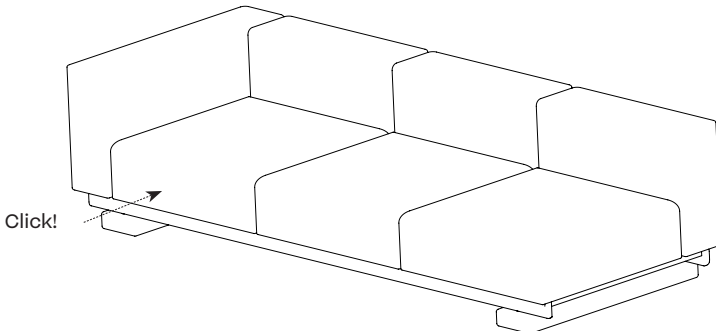
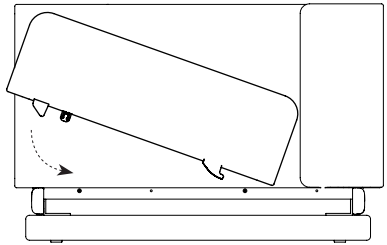
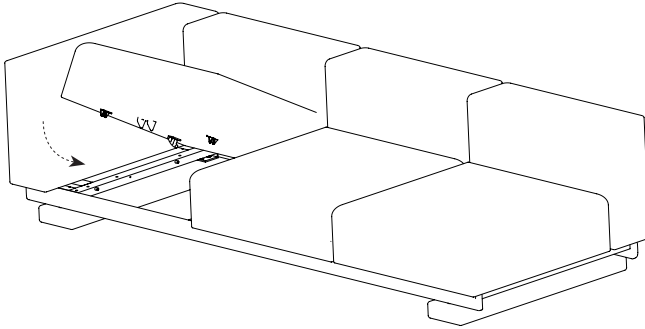
4.3

Pull the guide to flatten and fully fit.



# Molo Sofa

4.4 Finally, place the seat cushion.

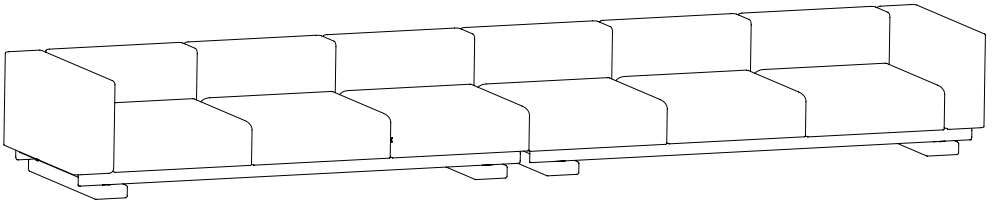


Assembly Guide  
Molo  
Sofa assembly

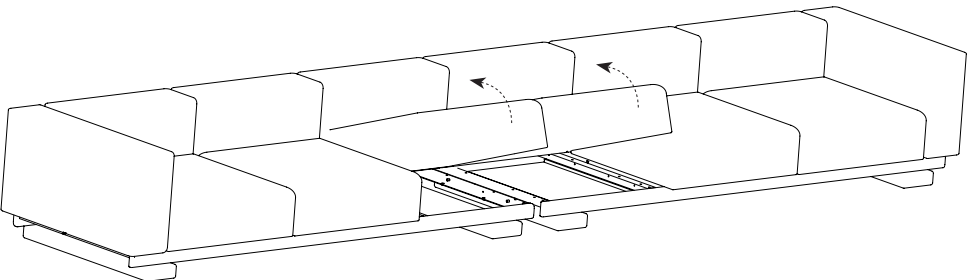
**kettal**

# Molo Sofa

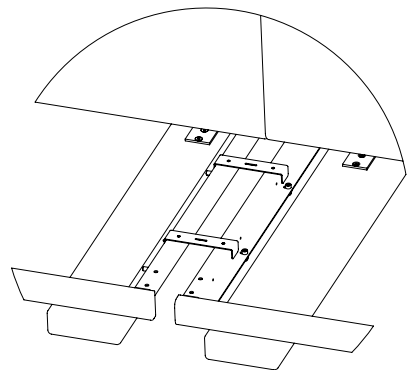
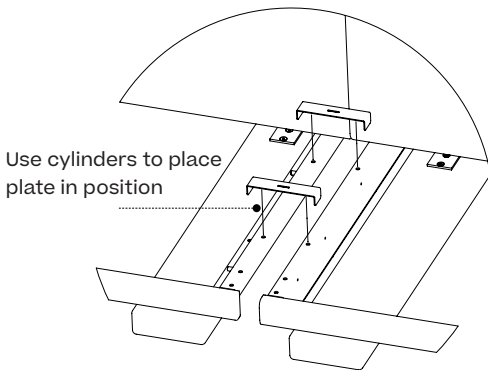
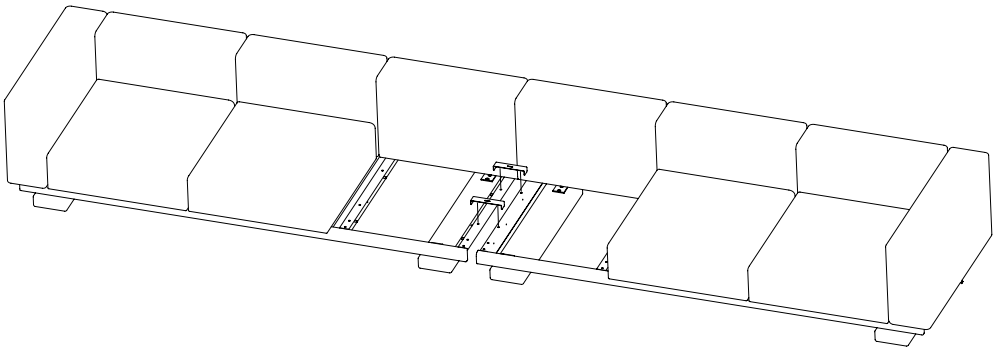
- 1 Face both sofas together.



- 2 Remove seats on endings of both sofas.

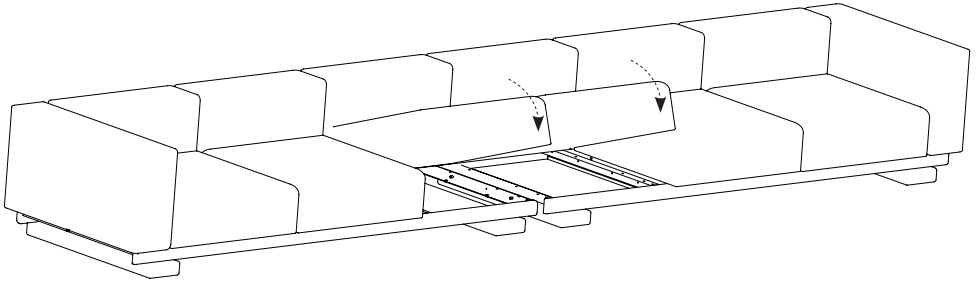


- 2 Place both union plates in position.



# Molo Sofa

- 3 Finally, place the seat.

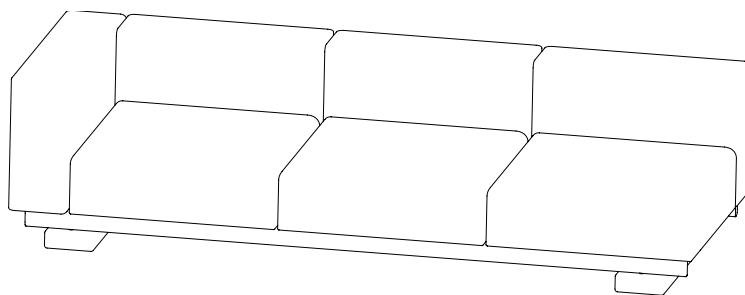


Assembly Guide  
Molo  
Corner Sofa

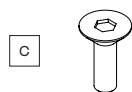
**kettal**

# Molo Sofa

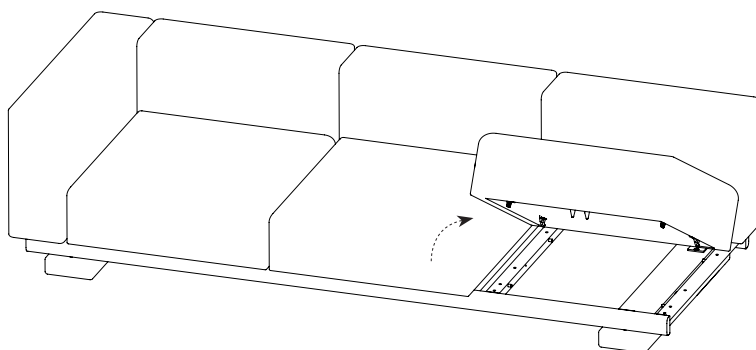
- 1 Unlash bag of union plate. Inside you will find tools to fix plate.



## Tools and screws



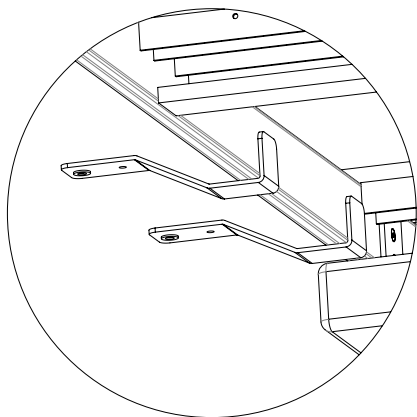
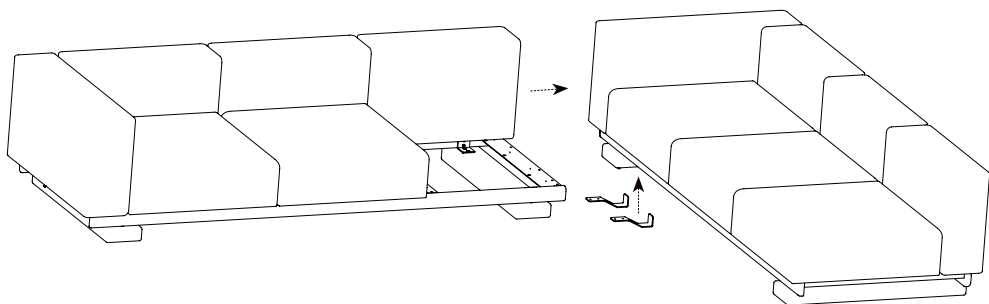
- 2 Remove seat





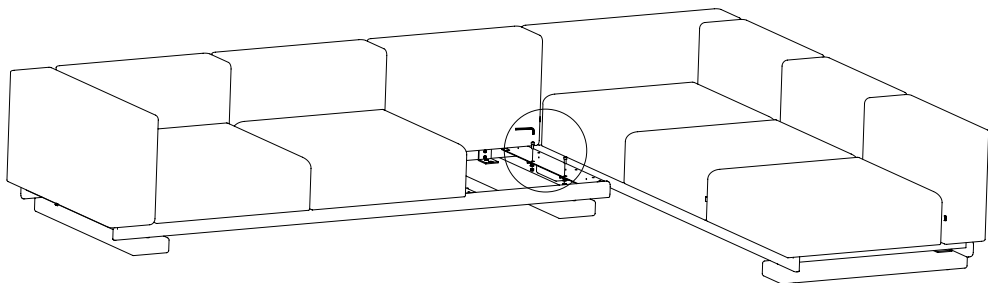
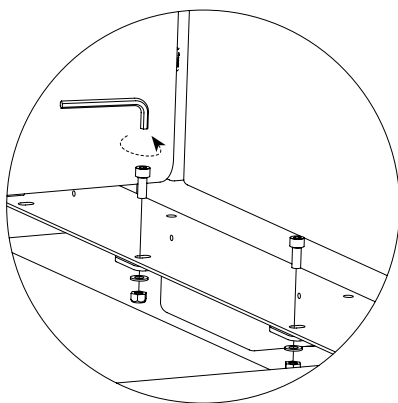
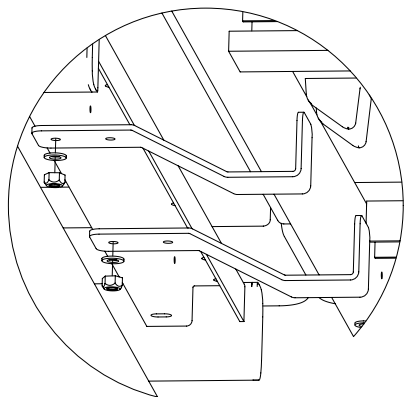
3

Join sofas and hook union plate underneath structure of second sofa and hold.



# Molo Sofa

- 4 Screw in order to fix together.



5 Finally, place the seat.

